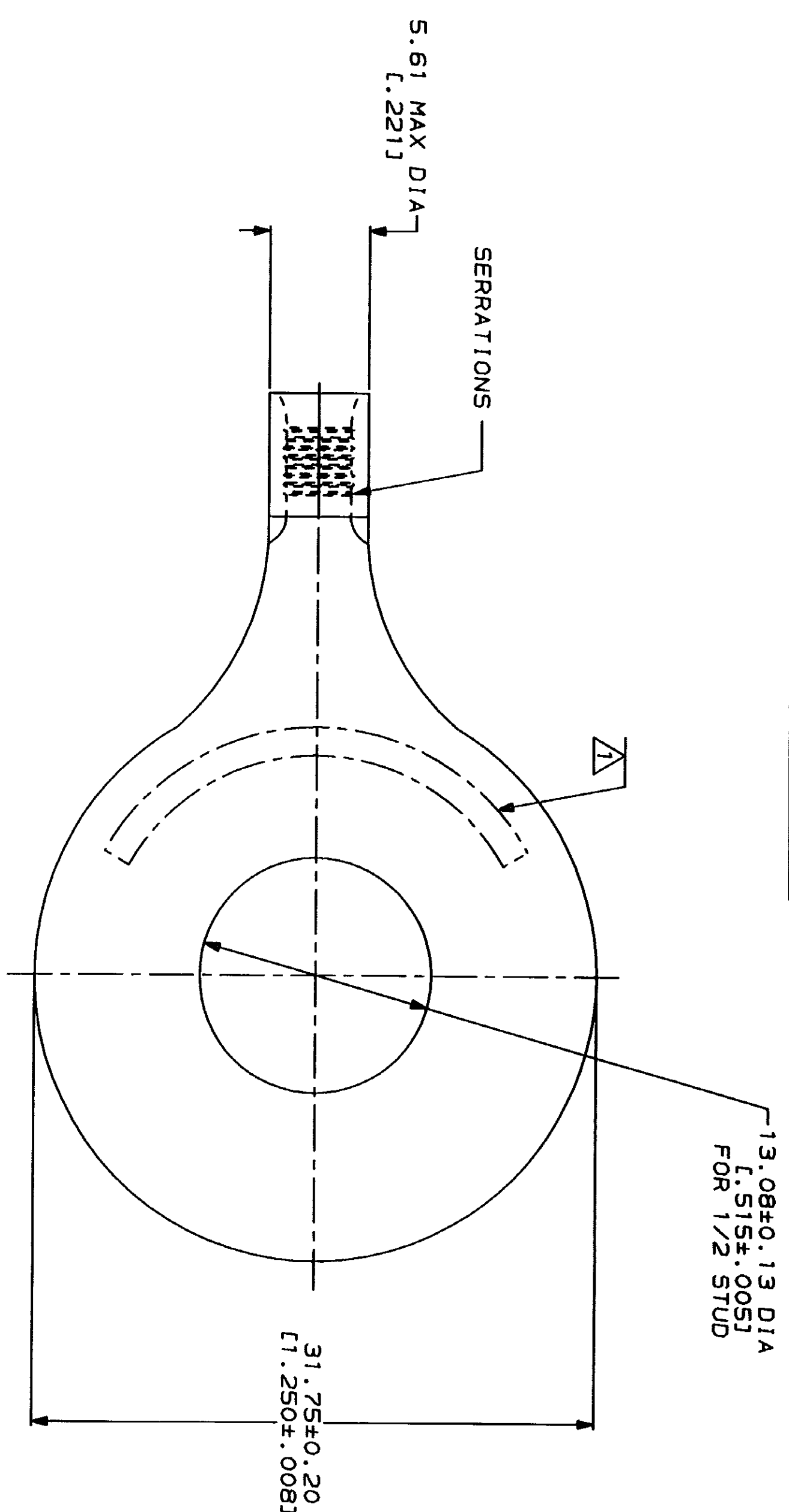


DRAWING MADE IN THIRD ANGLE PROJECTION  
 THIS DRAWING IS UNPUBLISHED.  
 COPYRIGHT © 1994 BY AMP INCORPORATED. ALL INTERNATIONAL RIGHTS RESERVED.

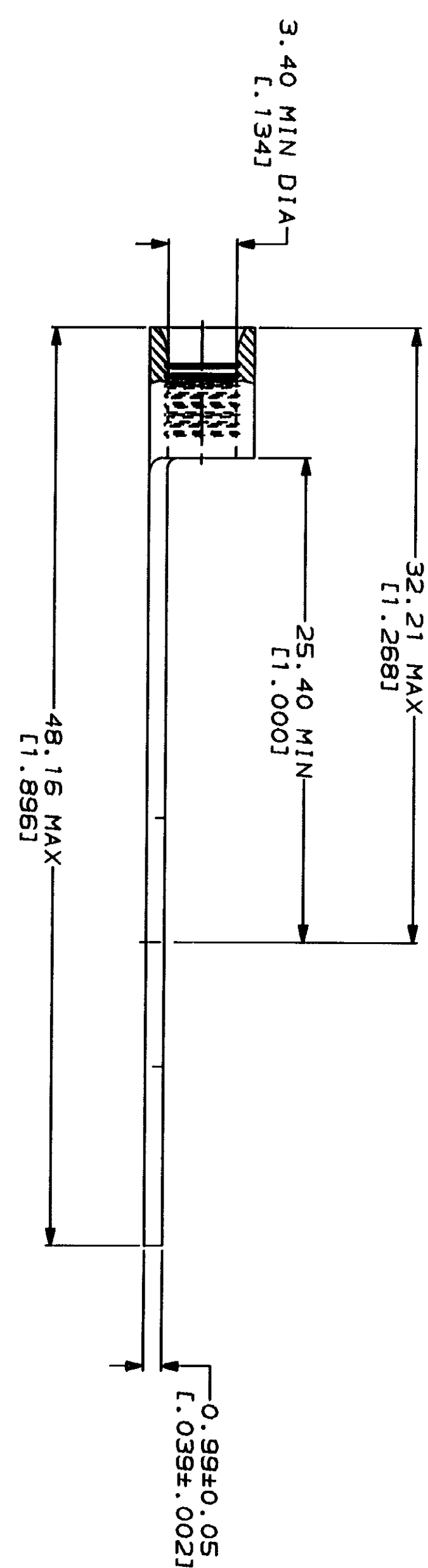
LOC	DIST	REV	ZONE	LTR	DESCRIPTION	DATE	APPD
G	14				REVISED PER 0720-0230-93	2/28/94	DAE

**METRIOS**  
 DIMENSIONS LISTED IN MM [ INCHES ]



<b>AMP</b>	WIRE RANGE	<b>UL</b> E13288 Listed
	12-10 AWG STRANDED	12-10 AWG STRANDED
	NOT CERTIFIED	MILITARY P/N AND CLASS
		NOT APPLICABLE

△ STAMP AMP 12-10\* APPROX AS SHOWN



AMP INCORPORATED  
 CUSTOMER SERVICE SYSTEMS

FOR ADDITIONAL PRODUCT INFORMATION OR COPIES OF DRAWINGS AND TECHNICAL DOCUMENTS	PRODUCT INFORMATION CENTER 1-800-522-6752	MAX RECOMMENDED OPERATING TEMPERATURE: 170°C MAX	DO NOT SCALE PRINT. UNLESS SPECIFIED DIMENSIONS IN INCHES—TOLERANCES ON: 1. PLC DEC # 2. PLC DEC # 3. ANGLES
FOR APPLICATION TOOLING INFORMATION	TOOLING ASSISTANCE CENTER 1-800-722-1111	VOLTAGE RATING: NOT APPLICABLE	FINISH: TIN PLATE
FOR ORDER ENTRY	1-800-526-5142	WIRE CROSS SECTIONAL AREA RANGE: 2.62-6.64mm <sup>2</sup> [5.180-13.100] CIR MILS STRANDED	DR 2-9-93 TA BRINKMAN CHK 2-9-93 DA PATTERSON

AMP 1471-4 REV 3-92	10:37:30	09026463	/f/l/les/dqoc/1123/dmq/123/v/bod/les/v/12-10
---------------------	----------	----------	--

AMP	AMP Incorporated Harrisburg, PA 17105-3608	320760	PART NO
TERMINAL, RING TONGUE, BUDGET		00779	DRAWING NO
SCALE 4:1		320760	SHEET
			1 OF 1

CUSTOMER DRAWING