

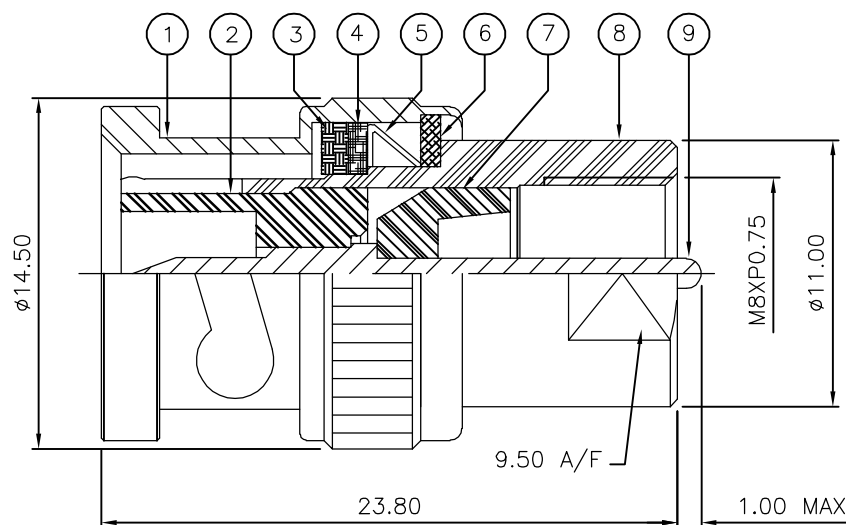
THIS DRAWING IS UNPUBLISHED. RELEASED FOR PUBLICATION AUGUST ,2006.

© COPYRIGHT 2006 BY TYCO ELECTRONICS CORPORATION. ALL RIGHTS RESERVED.

LOC	DIST	REVISIONS					
E	B	P	LTR	DESCRIPTION	DATE	DWN	APVD
		C		ECR-06-018891	31AUG06	JMS	FWK

NOTES:

- 1 PACK IN ACCORDANCE WITH AMP SPEC 107-3275
- 2 100 TRAY PACK IN ACCORDANCE WITH AMP SPEC 107-3275
- 3 Au PLATING
- 4 Ni PLATING
- 5 THIS ITEM MUST BE WHITE
- 6 ELECTRICAL CHARACTERISTICS  
 FREQUENCY RANGE: DC - 2 GHz  
 NOMINAL IMPEDANCE: 50 Ohm  
 INSULATION RESISTANCE: 5000 MOhm  
 WORKING VOLTAGE: 100 Volts RMS at Sea Level  
 DIELECTRIC WITHSTAND VOLTAGE: 1000 Volts RMS Max  
 CONTACT RESISTANCE:  
 CENTRE CONTACT: 10.00 mOhm Max  
 OUTER CONTACT: 5.00 mOhm Max  
 VSWR @ 1.8GHz: N/A  
 INSERTION LOSS dB @ x 1.8 GHz: 0.20 Max
- 7 MECHANICAL CHARACTERISTICS  
 COUPLING NUT RETENTION FORCE: 445N Min  
 DURABILITY: 500 Cycles Min
- 8 ENVIRONMENTAL CHARACTERISTICS  
 OPERATING TEMPERATURE: -55 to +85 DegC
- 9 FOR TECHNICAL DATA REFER TO YOUR LOCAL TYCO ELECTRONICS SALES OFFICE
- 10 ALL DIMENSIONS ARE NOMINAL FOR REFERENCE ONLY UNLESS OTHERWISE STATED



QTY	QTY PER ASSY	MATERIAL	DESCRIPTION	ITEM
1	1	BRASS	CONTACT	9
1	1	BRASS	BODY	8
1	1	PTFE	INSULATION	7
1	1	STEEL	WASHER	6
1	1	STEEL	SPRING	5
1	1	BRASS	RETAINING RING	4
1	1	SILICONE RUBBER	GASKET	3
1	1	PTFE	INSULATION	2
1	1	BRASS	SHELL	1
6--0	1--0			

QUANTITY PER ASSY		PARTS LIST	
DWN J.SANDWELL 31AUG06		Tyco Electronics Corporation	
CHK S.PARLOW 31AUG06		Bideford EX39 4HE	
APVD F.WHEELER-KING 31AUG06		NAME	
PRODUCT SPEC		STRAIGHT ADAPTOR FME PLUG - BNC PLUG 50 OHM	
APPLICATION SPEC		-	
SIZE	CAGE CODE	DRAWING NO	RESTRICTED TO
A3	00779	C-1337562	-
CUSTOMER DRAWING		SCALE	SHEET 1 OF 1 REV C
		NTS	

THIS DRAWING IS A CONTROLLED DOCUMENT.	
DIMENSIONS: mm	TOLERANCES UNLESS OTHERWISE SPECIFIED:
	0 PLC ± -
	1 PLC ± -
	2 PLC ± -
	3 PLC ± -
	4 PLC ± -
	ANGLES ± -
MATERIAL SEE TABLE	FINISH -