

MATERIAL NUMBER	# OF COLUMNS	# OF DIFF PAIR	DM 'A' Max	DM 'B'	PTHØ
76560-11**	10	60	19.00	17.10	0.46±0.05
76560-17**	14	84	26.60	24.70	0.46±0.05
76560-16**	16	96	30.40	28.50	0.46±0.05
76560-11**	10	60	19.00	17.10	0.39±0.05
76560-17**	14	84	26.60	24.70	0.39±0.05
76560-16**	16	96	30.40	28.50	0.39±0.05

76560-****

MODULE TYPE
1 = UNGUIDED, LEAD-FREE

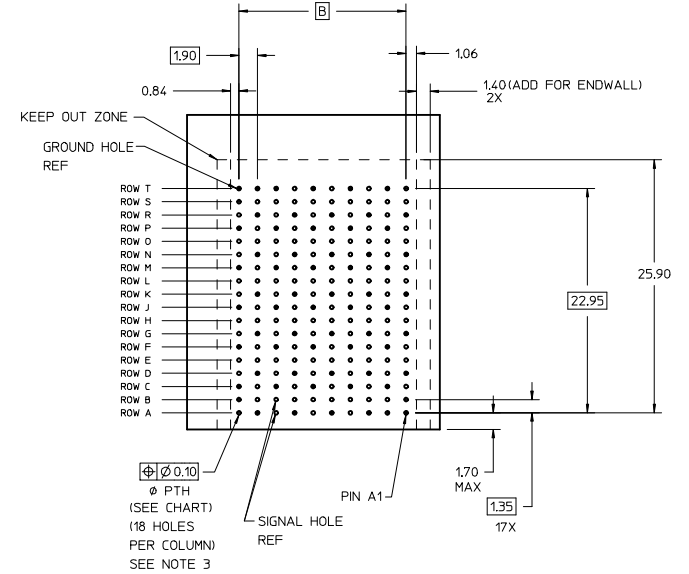
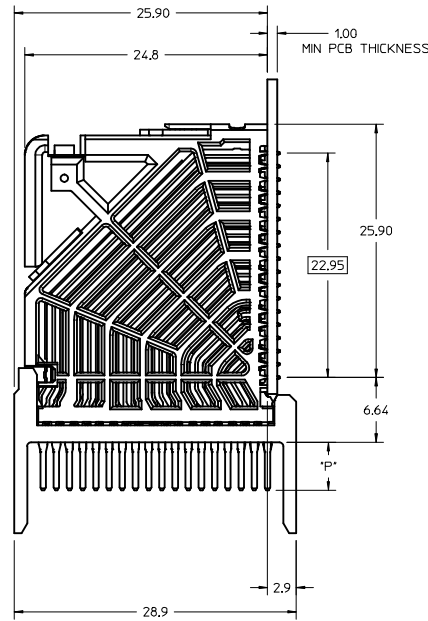
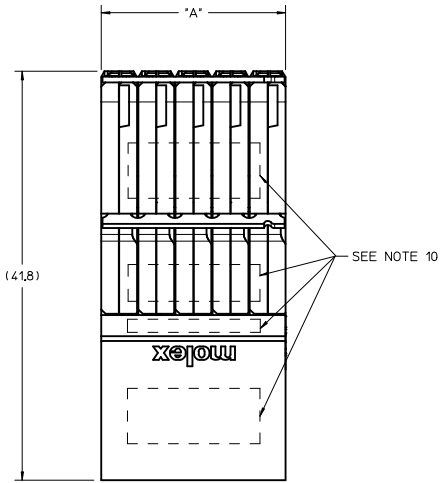
OF COLUMNS
1 = 10 COLUMNS
6 = 16 COLUMNS
7 = 14 COLUMNS

PIN LENGTH (P)
4 - 4.90 (0.46 PTH)
5 - 5.50 (0.46 PTH)
7 - 4.90 (0.39 PTH)
8 - 5.50 (0.39 PTH)

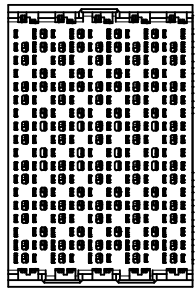
END WALL OPTIONS
0 = OPEN
1 = LEFT END WALL
2 = DUAL END WALL
3 = RIGHT END WALL

NOTES:

- MATERIALS: HOUSING - LIQUID CRYSTAL POLYMER (LCP), GLASS-FILLED, UL94V-0
TERMINALS - HIGH PERFORMANCE COPPER ALLOY
- FINISH: 30µIN SELECTIVE GOLD IN CONTACT AREA, SELECTIVE TIN ON PCB TAILS, NICKEL OVERALL.
- REFER TO MOLEX PRODUCT SPECIFICATION PS-76060-999 FOR PERFORMANCE SPECIFICATIONS AND ADDITIONAL PCB INFORMATION.
- EACH SIGNAL WAFER CONTAINS 2 COLUMNS OF TERMINALS.
- PRODUCT IS PACKAGED PER PK-70873-777.
- THIS PART CONFORMS TO CLASS B REQUIREMENTS OF COSMETIC SPEC PS-45499-002.
- REFER TO MOLEX SALES DRAWING SD-76150-001 FOR THE MATING RECEPTACLES.
- REFER TO MOLEX PCB ROUTING GUIDE AS-76060-990 FOR ANTIPAD AND ROUTING RECOMMENDATIONS.
- OPEN WALL VERSION SHOWN FOR CLARITY, ADD 1.40mm TO OVERALL LENGTH AND KEEP-OUT ZONE FOR EACH ENDWALL.
- MARKING: LOCATED APPROXIMATELY AS SHOWN, PART NUMBER AND DATE CODE.

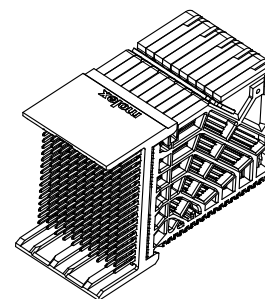
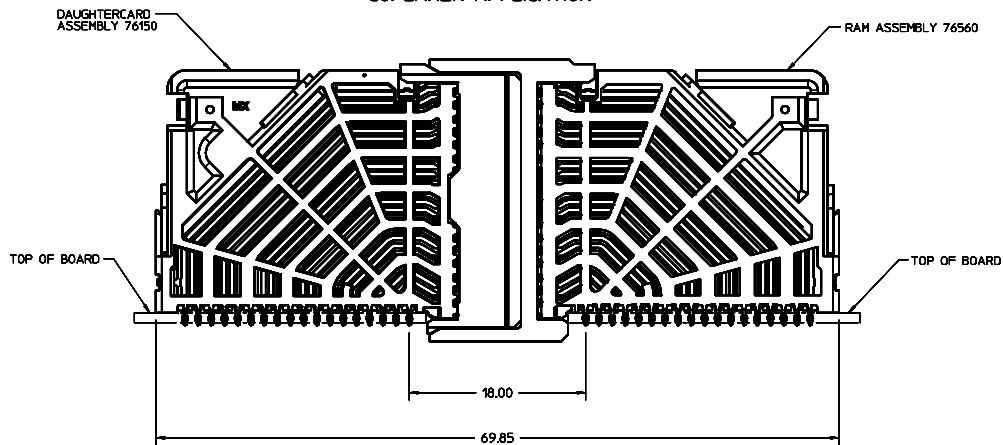


RAM HOLE PATTERN
(CONNECTOR SIDE)

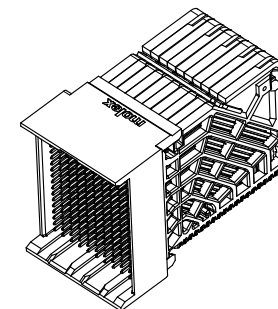


ADD LASER MARK INFO EC NO: UCP2016-3973 DRAWN BY: JONIAK CHYK:TELO APPR:TELO DATE: 2015/08/21 DATE: 2016/02/22 DATE: 2016/04/20	QUALITY SYMBOLS ∇=0 ∇=0 ∇=0	GENERAL TOLERANCES (UNLESS SPECIFIED)		DIMENSION STYLE MM ONLY	SCALE 4:1	DESIGN UNITS METRIC	THIRD ANGLE PROJECTION		
		4 PLACES ± --- ± --- 3 PLACES ± --- ± --- 2 PLACES ± 0.13 ± --- 1 PLACE ± 0.25 ± ---	mm INCH	DRAWN BY JONIAK	DATE 2011/02/24	TITLE 6P IMPACT RAM OPEN SALES DRAWING			
		DRAFT WHERE APPLICABLE MUST REMAIN WITHIN DIMENSIONS		APPROVED BY JBI NINGHAM	DATE 2011/02/24	MOLEX INCORPORATED			
				MATERIAL NO. SEE CHART	DOCUMENT NO. SD-76560-001	SHEET NO. 1 OF 2			

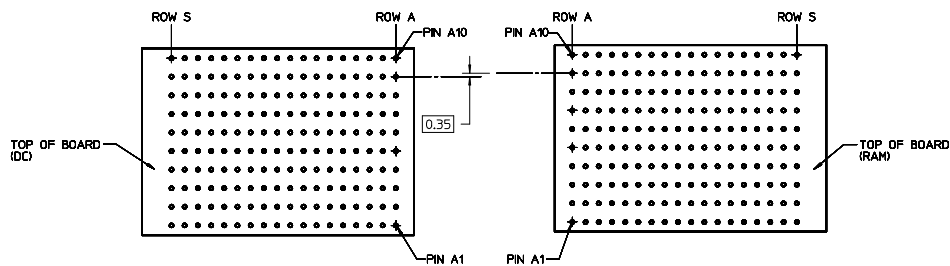
COPLANER APPLICATION



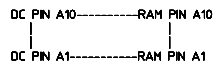
OPEN END OPTION



DUAL WALL OPTION

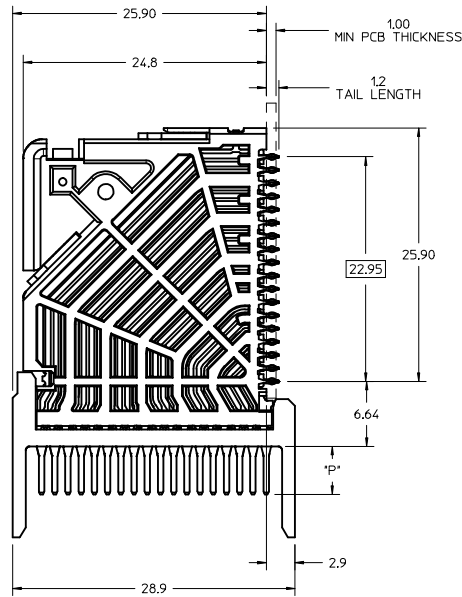
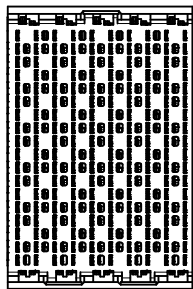
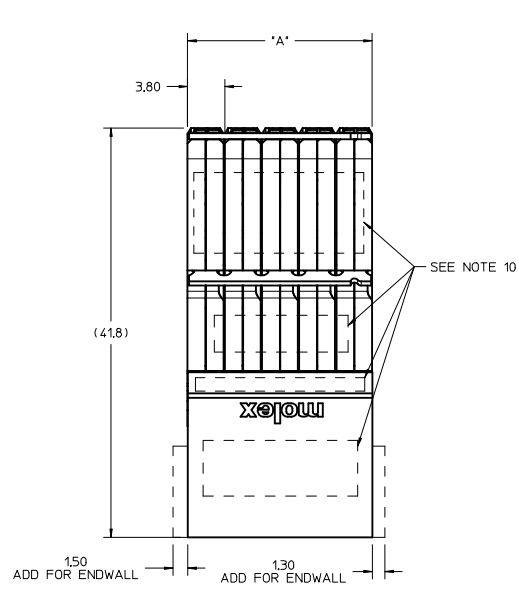


COPLANER MATED SIGNAL PATHS



SEE SHEET 1 EEC NO: UCP2016-3973 DRAWN: VAWARA 2015/08/21 CHECKED: TELO 2016/02/22 APPR: TELO 2016/04/20	QUALITY SYMBOLS	GENERAL TOLERANCES (UNLESS SPECIFIED)	DIMENSION STYLE	SCALE	DESIGN UNITS	THIRD ANGLE PROJECTION
	▽=0	mm INCH	MM ONLY	4:1	METRIC	
	▽=0	4 PLACES ±--- ±---	DRAWN BY	DATE	TITLE	
	▽=0	3 PLACES ±--- ±---	JJONIAK	2011/02/24	6P IMPACT RAM OPEN SALES DRAWING	
	2 PLACES ±0.13 ±---	CHECKED BY	DATE	MATERIAL NO.		
	1 PLACE ±0.25 ±---	TELO	2016/02/22	SD-76560-001		
	ANGULAR ±1/2°	APPROVED BY	DATE	DOCUMENT NO.		
		JBINGHAM	2011/02/24	SEE CHART		
		DRAFT WHERE APPLICABLE MUST REMAIN WITHIN DIMENSIONS		THIS DRAWING CONTAINS INFORMATION THAT IS PROPRIETARY TO MOLEX INCORPORATED AND SHOULD NOT BE USED WITHOUT WRITTEN PERMISSION		

MATERIAL NUMBER	# OF COLUMNS	# OF DIFF PAIR	DIM "A" MAX	DIM "B"	PTH#
76560-11**	10	60	19,00	17,10	0,46+0,05
76560-17**	14	84	26,60	24,70	0,46+0,05
76560-16**	16	96	30,40	28,50	0,46+0,05
76560-11**	10	60	19,00	17,10	0,39+0,05
76560-17**	14	84	26,60	24,70	0,39+0,05
76560-16**	16	96	30,40	28,50	0,39+0,05



76560-****

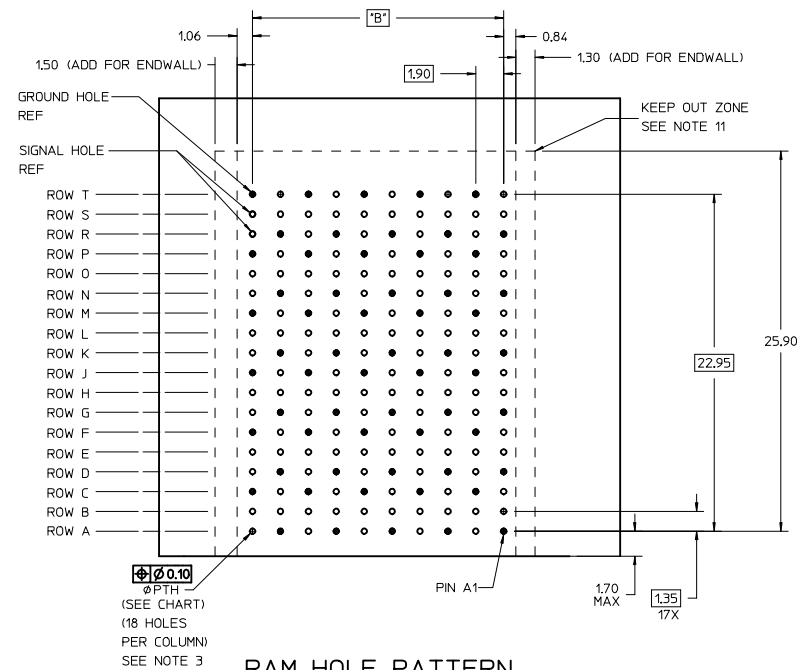
MODULE TYPE
1 = UNGUIDED, LEAD-FREE

OF COLUMNS
1 = 10 COLUMNS
6 = 16 COLUMNS
7 = 14 COLUMNS

PIN LENGTH (P)
4 = 4.90 (0,46 PTH)
5 = 5.50 (0,46 PTH)
7 = 4.90 (0,39 PTH)
8 = 5.50 (0,39 PTH)

END WALL OPTIONS
0 = OPEN
1 = LEFT END WALL
2 = DUAL END WALL
3 = RIGHT END WALL

- NOTES:
1. MATERIALS: HOUSING - LIQUID CRYSTAL POLYMER (LCP), GLASS-FILLED, UL94V-0 TERMINALS - HIGH PERFORMANCE COPPER ALLOY
 2. FINISH: 30µIN SELECTIVE GOLD IN CONTACT AREA, SELECTIVE TIN ON PCB TAILS, NICKEL OVERALL.
 3. REFER TO MOLEX PRODUCT SPECIFICATION PS-76060-999 FOR PERFORMANCE SPECIFICATIONS AND ADDITIONAL PCB INFORMATION.
 4. EACH SIGNAL WAFER CONTAINS 2 COLUMNS OF TERMINALS.
 5. PRODUCT IS PACKAGED PER PK-70873-777.
 6. THIS PART CONFORMS TO CLASS B REQUIREMENTS OF COSMETIC SPEC PS-45499-002.
 7. REFER TO MOLEX SALES DRAWING SD-76150-001 FOR THE MATING RECEPTACLES.
 8. REFER TO MOLEX PCB ROUTING GUIDE AS-76060-990 FOR ANTI PAD AND ROUTING RECOMMENDATIONS.
 9. OPEN WALL VERSION SHOWN FOR CLARITY, SEE PCB LAYOUT FOR OVERALL LENGTH ADDITION ON THE ASSEMBLIES WITH ENDWALLS.
 10. MARKING: LOCATED APPROXIMATELY AS SHOWN. PART NUMBER AND DATE CODE.
 11. THESE DIMENSIONS REPRESENT THE AREA NEEDED TO ACCOMMODATE CONNECTOR INSERTION AND REPAIR ON THE PCB. THIS IS REFERRED TO AS THE "CONNECTOR KEEP OUT ZONE" AND DOES NOT REPRESENT THE ACTUAL PERIMETER OF THE CONNECTOR.

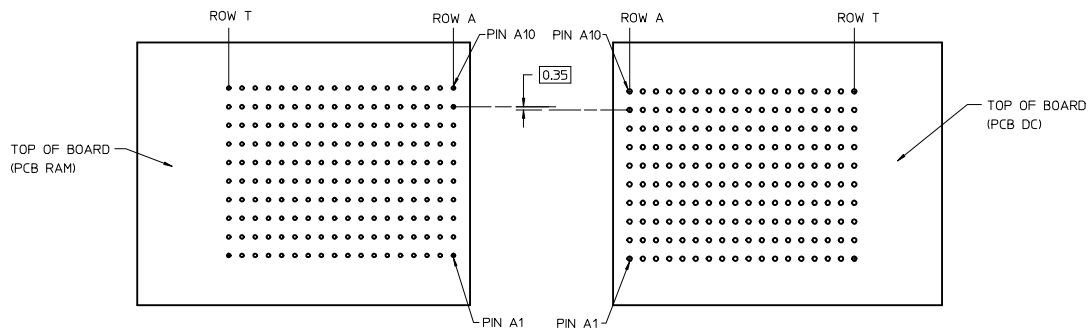
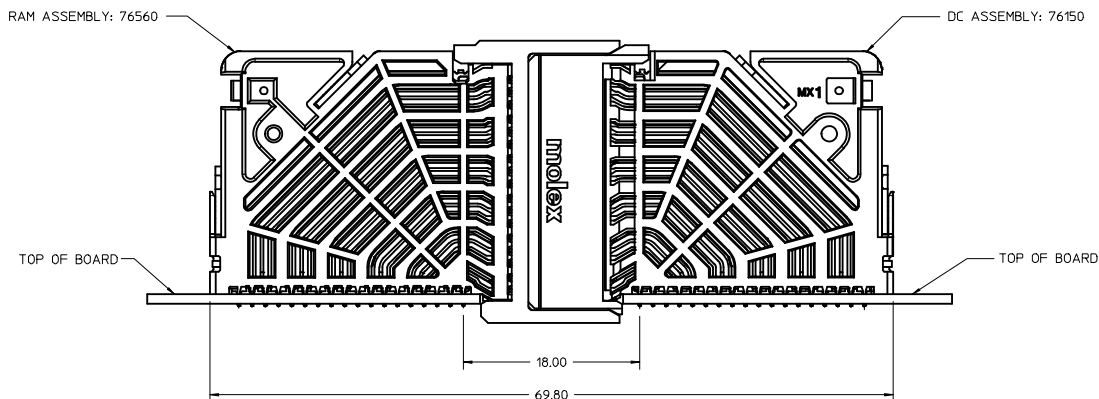


RAM HOLE PATTERN
(CONNECTOR SIDE)

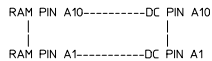
X/PROD RELEASE IEC NO. UCP2015-3090 DRAWN: GONZALEZ01 2014/11/24 CHYD: APPR: TEL0 2016/01/10	QUALITY SYMBOLS	GENERAL TOLERANCES (UNLESS SPECIFIED)	DIMENSION STYLE MM ONLY	SCALE 4:1	DESIGN UNITS METRIC	THIRD ANGLE PROJECTION
	▽=0	4 PLACES ± --- ± ---	mm INCH	DRAWN BY DATE JGONZALEZ01 2014/11/24	TITLE IMPACT 6 PAIR RAM MARRIED - UNGUIDED SALES DRAWING	
	▽=0	3 PLACES ± --- ± ---		CHECKED BY DATE	molex	
	▽=0	2 PLACES ± 0.13 ± ---		APPROVED BY DATE TELO 2016/01/10	MATERIAL NO. SEE TABLE	DOCUMENT NO. SD-76560-9001
		1 PLACE ± 0.25 ± ---		THIS DRAWING CONTAINS INFORMATION THAT IS PROPRIETARY TO MOLEX INCORPORATED AND SHOULD NOT BE USED WITHOUT WRITTEN PERMISSION		
		0 PLACE ± --- ± ---				
		ANGULAR ±1/2°				
		DRAFT WHERE APPLICABLE MUST REMAIN WITHIN DIMENSIONS				

20 19 18 17 16 15 14 13 12 11 10 9 8 7 6 5 4 3 2 1

COPLANER APPLICATION



COPLANER MATED SIGNAL PATHS



SEE SHEET 1 IEC NO. UCP2015-3090 DRAWN: GONZALEZ01 2014/11/24 CHKD: APPR: TELO 2016/01/10 REV DESCRIPTION	QUALITY SYMBOLS ▽=0 ▽=0 ▽=0	GENERAL TOLERANCES (UNLESS SPECIFIED) mm INCH 4 PLACES ± --- ± --- 3 PLACES ± --- ± --- 2 PLACES ± 0.13 ± --- 1 PLACE ± 0.25 ± --- 0 PLACE ± --- ± --- ANGULAR ±1/2° DRAFT WHERE APPLICABLE MUST REMAIN WITHIN DIMENSIONS	DIMENSION STYLE MM ONLY DRAWN BY DATE JGONZALEZ01 2014/11/24 CHECKED BY DATE APPROVED BY DATE TELO 2016/01/10	SCALE 4:1 DESIGN UNITS METRIC THIRD ANGLE PROJECTION	TITLE IMPACT 6 PAIR RAM MARRIED - UNGUIDED SALES DRAWING molex MATERIAL NO. SEE CHART DOCUMENT NO. SD-76560-9001	SHEET NO. 2 OF 2
	THIS DRAWING CONTAINS INFORMATION THAT IS PROPRIETARY TO MOLEX INCORPORATED AND SHOULD NOT BE USED WITHOUT WRITTEN PERMISSION					

19 18 17 16 15 14 13 12 11 10 9 8 7 6 5 4 3 2 1