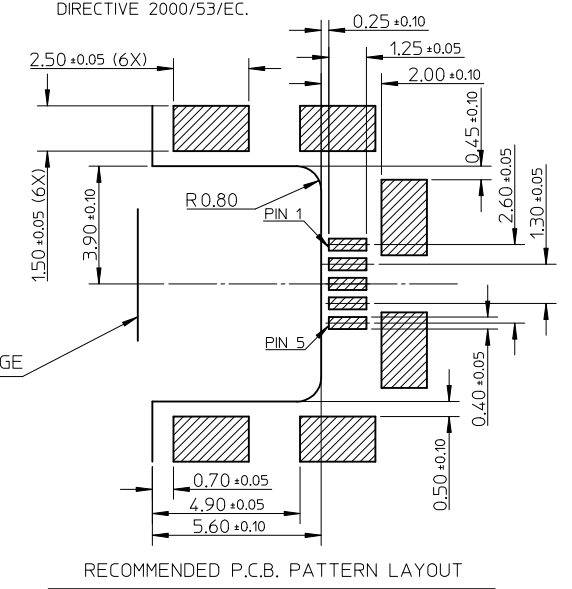
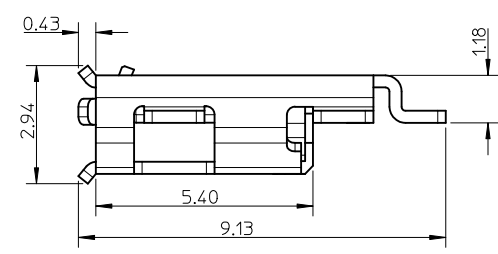
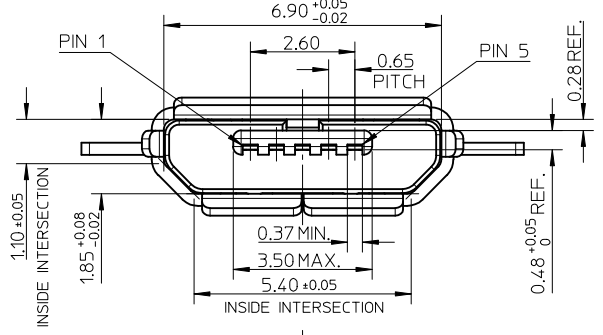
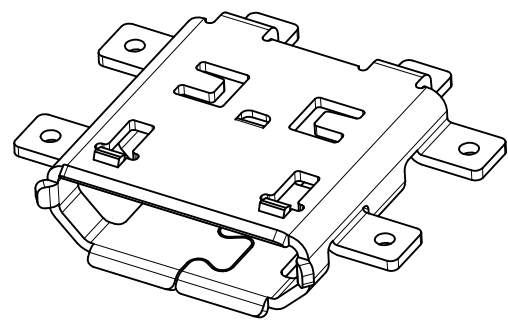
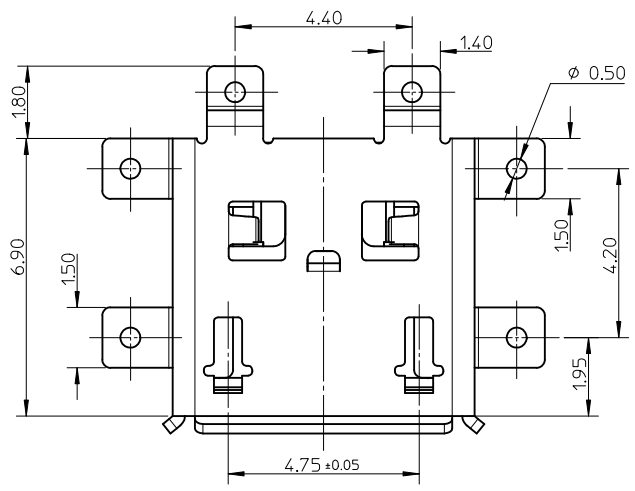
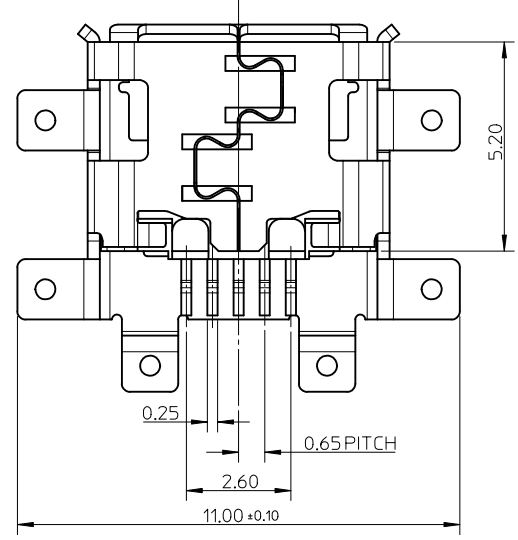


NOTE :

- MATERIAL :
 HOUSING : LCP, BLACK, UL94V-0
 TERMINAL : COPPER ALLOY THICKNESS = 0.15 MM
 SHIELD CASE : STAINLESS STEEL THICKNESS = 0.30 MM
- PLATING :
 TERMINAL:
 CONTACT AREA : GOLD FLASH OVER MINIMUM 0.75 MICRON Pd/Ni.
 SOLDER TAIL AREA : GOLD FLASH.
 UNDER PLATING : NICKEL 2.0 MICRON MINIMUM.
 SHIELD :
 OPTION 1 : MATTE TIN 3.8 MICRON MINIMUM.
 UNDER PLATING : NICKEL 1.27 MICRON MINIMUM.
 OPTION 2 : NICKEL 1.25 MICRON MINIMUM
- TAIL & NAIL COPLANARITY 0.08 mm MAXIMUM.
- PACKAGING SPECIFICATION : PK-47491-001
- PRODUCT SPECIFICATION : PS-47642-001
- COMPLIANT TO RoHS DIRECTIVE 2002/95/EC AND ELV DIRECTIVE 2000/53/EC.



SHELL PLATING OPTION 1	47491-0001
SHELL PLATING OPTION 2	47491-0002



REVISE EC NO: SH2011-0342 DRWN: XJSONG CHKD: APPR: RZHANG	QUALITY SYMBOLS ▽=0 Ⓢ=0	GENERAL TOLERANCES (UNLESS SPECIFIED)		DIMENSION STYLE MM ONLY		SCALE 8:1	DESIGN UNITS METRIC	THIRD ANGLE PROJECTION			
		4 PLACES ± --- ± ---	3 PLACES ± --- ± ---	2 PLACES ± 0.25 ± ---	1 PLACE ± 0.25 ± ---	ANGULAR ± 3 °	DRAWN BY XJSONG	DATE 2006/04/28	TITLE MICRO USB B REC. MIDDLE MOUNT ASS'Y		
		DRAFT WHERE APPLICABLE MUST REMAIN WITHIN DIMENSIONS					CHECKED BY IWANG	DATE 2006/04/28	MOLEX INCORPORATED		
		SEE CHART					APPROVED BY JNCHEN	DATE 2006/04/28	MATERIAL NO. SD-47491-001	DOCUMENT NO.	SHEET NO. 1 OF 1

THIS DRAWING CONTAINS INFORMATION THAT IS PROPRIETARY TO MOLEX INCORPORATED AND SHOULD NOT BE USED WITHOUT WRITTEN PERMISSION