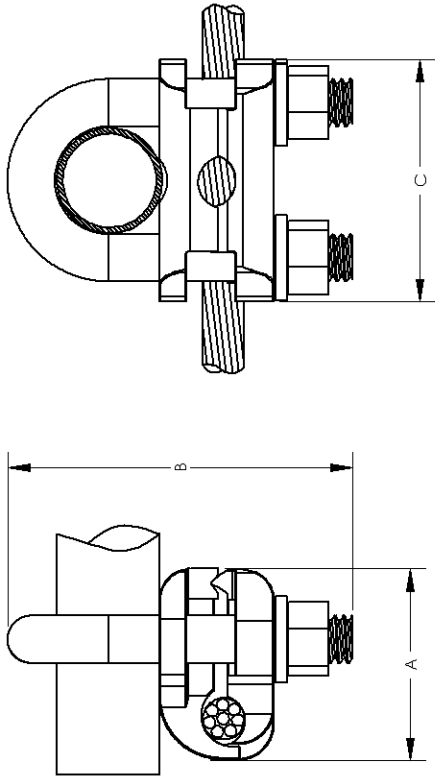


THIS COPY IS PROVIDED ON A RESTRICTED BASIS AND IS NOT TO BE USED IN ANY WAY DETRIMENTAL TO THE INTERESTS OF PANDUIT CORP.



PANDUIT PART NUMBER	ACCOMMODATES		CONDUCTOR RANGE	DIMENSIONS - IN [mm]						BOLT DIA
	ROD DIA	NOMINAL PIPE SIZE (IPS)		A		B		C		
				IN	MM	IN	MM	IN	MM	
GPL-4-Q	5/8" OR 3/4"	3/8"	#6 SOL. - #4 STR	1.38	34	2.75	70	2.00	51	0.38
GPL-5-Q	5/8" OR 3/4"	3/8"	#4 SOL. - 2/0 STR	1.63	41	2.75	70	2.00	51	0.38
GPL-6-Q	5/8" OR 3/4"	3/8"	2/0 SOL. - 250 kcmil	1.88	47	2.75	70	2.00	51	0.38
GPL-8-Q	7/8" OR 1"	1/2" OR 3/4"	# 8 SOL. - #4 STR	1.38	34	2.63	67	2.38	60	0.38
GPL-9-Q	7/8" OR 1"	1/2" OR 3/4"	#4 SOL. - 2/0 STR	1.63	41	2.63	67	2.38	60	0.38
GPL-10-Q	7/8" OR 1"	1/2" OR 3/4"	2/0 SOL. - 250 kcmil	1.88	47	3.00	76	2.38	60	0.38
GPL-14-X	-----	1"	#8 SOL. - #4 STR	1.38	34	2.75	70	2.63	67	0.38
GPL-15-X	-----	1"	#4 SOL. - 2/0 STR	1.63	41	2.75	70	2.63	67	0.38
GPL-16-X	-----	1"	2/0 SOL. - 250 kcmil	1.88	47	3.25	82	2.63	67	0.38
GPL-20-X	-----	1-1/4"	#8 SOL. - #4 STR	1.38	34	3.50	89	3.00	76	0.38
GPL-21-X	-----	1-1/4"	#4 SOL. - 2/0 STR	1.63	41	3.50	89	3.00	76	0.38
GPL-22-X	-----	1-1/4"	2/0 SOL. - 250 kcmil	1.88	47	3.50	89	3.00	76	0.38
GPL-26-X	-----	1-1/2"	#8 SOL. - #4 STR	1.38	34	4.00	102	3.25	82	0.38
GPL-27-X	-----	1-1/2"	#4 SOL. - 2/0 STR	1.63	41	4.00	102	3.25	82	0.38
GPL-28-X	-----	1-1/2"	2/0 SOL. - 250 kcmil	1.88	47	4.00	102	3.25	82	0.38
GPL-32-3	-----	2"	#8 SOL. - #4 STR	1.38	34	4.25	108	3.75	95	0.38
GPL-33-3	-----	2"	#4 SOL. - 2/0 STR	1.63	41	4.25	108	3.75	95	0.38
GPL-34-3	-----	2"	2/0 SOL. - 250 kcmil	1.88	47	4.25	108	3.75	95	0.38
GPL-38-3	-----	2-1/2"	#4 SOL. - 2/0 STR	1.63	41	5.00	127	4.25	108	0.38
GPL-40-3	-----	2-1/2"	2/0 SOL. - 250 kcmil	1.88	47	5.00	127	4.25	108	0.38
GPL-44-1	-----	3"	#8 SOL. - #4 STR	1.38	34	5.50	140	4.75	121	0.38
GPL-45-1	-----	3"	#4 SOL. - 2/0 STR	1.63	41	5.50	140	4.75	121	0.38
GPL-46-1	-----	3"	2/0 SOL. - 250 kcmil	1.88	47	5.50	140	4.75	121	0.38
GPL-51-1	-----	3-1/2"	#4 SOL. - 2/0 STR	1.63	41	6.25	158	5.25	133	0.38
GPL-52-1	-----	3-1/2"	2/0 SOL. - 250 kcmil	1.88	47	6.25	158	5.25	133	0.38
GPL-57-1	-----	4"	#4 SOL. - 2/0 STR	1.63	41	6.38	161	5.75	146	0.38
GPL-58-1	-----	4"	2/0 SOL. - 250 kcmil	1.88	47	6.38	161	5.75	146	0.38

NOTES:

1. MADE FROM HIGH COPPER CONTENT ALLOY. FURNISHED WITH FULL THREADED SILICON BOLT, NUTS, AND LOCKWASHERS

2. THESE CONNECTORS ARE UL LISTED FOR GROUNDING AND BONDING, AND DIRECT BURIAL APPLICATIONS

3. PKG QTY: -Q = 25
-X = 10



SUITABLE FOR DIRECT BURIAL

PANDUIT CORP. TINLEY PARK, ILLINOIS		BRONZE GROUND CLAMP CONNECTOR - GPL SERIES CUSTOMER DRAWING	
UNLESS OTHERWISE SPECIFIED, DIMENSIONAL TOLERANCES ARE: (XX) ± (XX) ± ANGLES ±		UNLESS OTHERWISE SPECIFIED, ALL DIMENSIONS ARE GIVEN IN INCHES, THIRD ANGLE PROJECTION	
JAC	09328	LA	06659
ED	03704	PM	03704
ECN		CHK'D	
DESCRIPTION	DRAWING RELEASED		
REV	DATE	BY	CHK
05	12/08	JHNUI	JHNUI
04	10/08	JHNUI	JHNUI
03	11/02	CJWJ	
02	2/01	SAB	SKB
01	2/98	TM	WJB
00	10/95	ED	RS

SCALE	NONE
DRAWING NO / CAD FILE	C41168_05
DWG	B
SIZE	