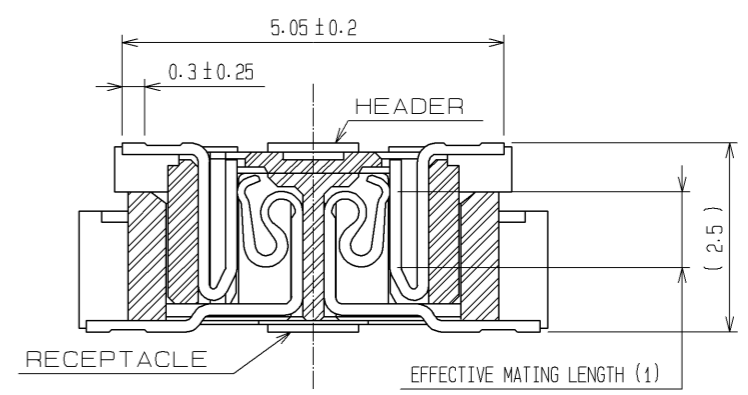
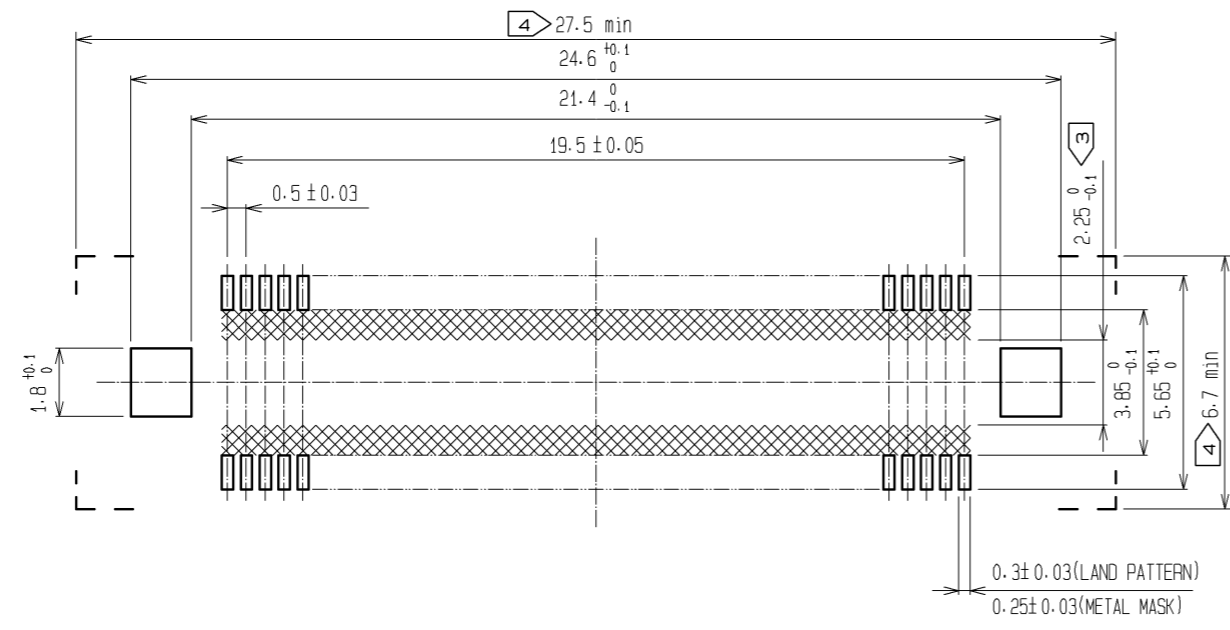


SIGNAL PORTION CROSS SECTION (10:1)



RECOMMENDED LAND PATTERN DIMENSION OF PCB
(RECOMMENDED METAL MASK THICKNESS:0.15mm)

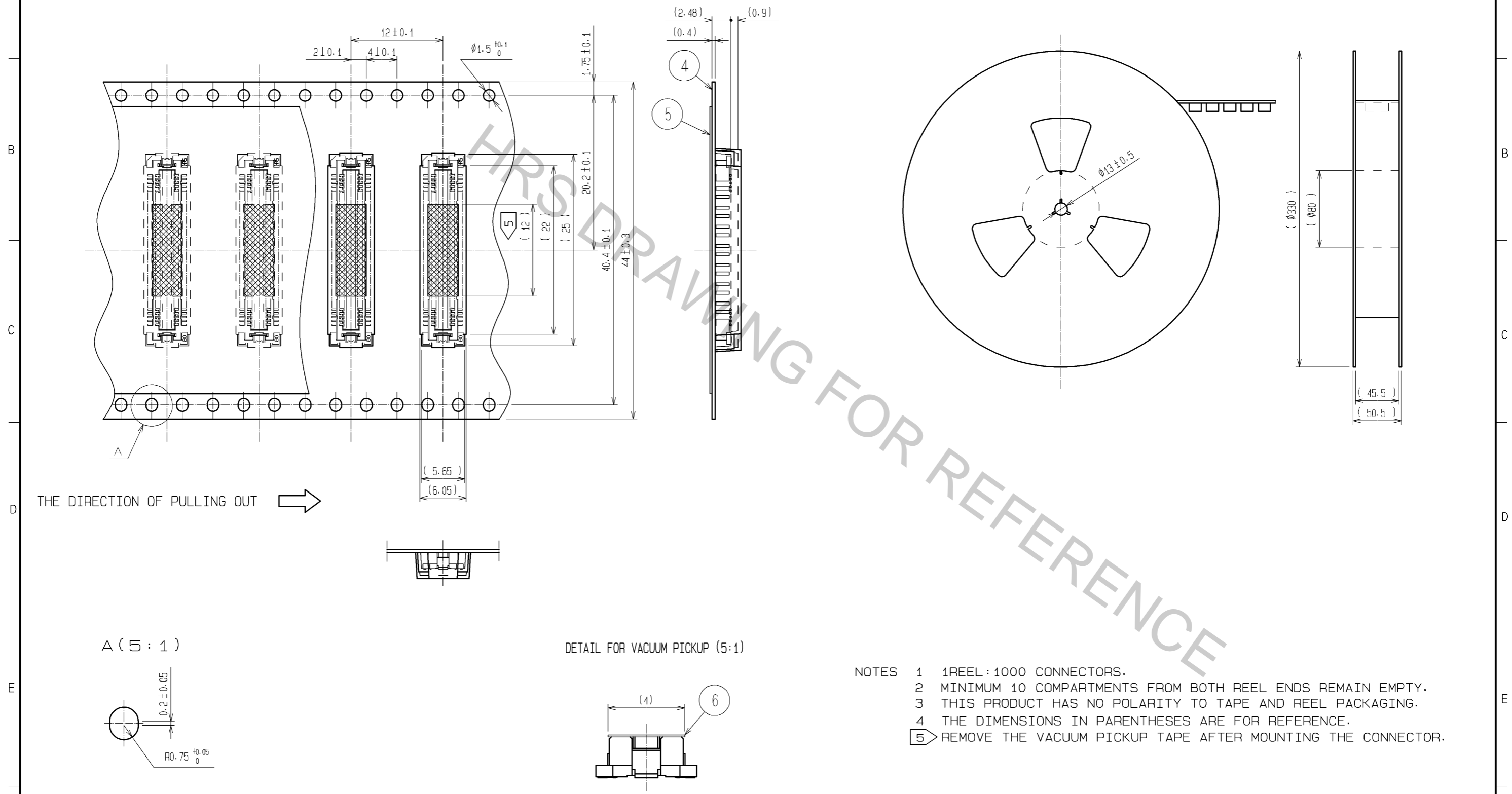


- NOTES
- 1 SMT LEAD-COPLANARITY:0.1 MAX.
 - 2 THIS PRODUCT HAS NO POLARITY TO PATTERN FOR MOUNTING.
 - 3 MAKE SURE WIDTH OF PATTERN IS WITHIN THAT OF LAND .OR LEAD MAY TOUCH PATTERN. (THIS APPLIES TO HATCHED AREA.)
 - 4 DO NOT MOUNT OTHER DEVICES ONTO [] AREA ,OR MATING PAIR CANNOT BE MATED.
 - 5 TO BE EMBOSSED CARRIER TAPED AS SPECIFIED IN SHEET 2.
 - 6 THE DIMENSIONS IN PARENTHESES ARE FOR REFERENCE.

| 3 | PHOSPHOR BRONZE | TIN PLATING | | | |
|-----------------------|-----------------|--------------------------------|------------|----------------------------|--------------------------|
| 2 | COPPER ALLOY | CONTACT AREA : GOLD 0.1μm min. | 6 | POLYIMIDE | (TAPE FOR VACUUM PICKUP) |
| | | LEAD AREA : GOLD FLASH | 5 | PET | TOP COVER TAPE |
| 1 | LCP | BEIGE UL94V-0 | 4 | PS | EMBOSSED CARRIER TAPE |
| NO. | MATERIAL | FINISH . REMARKS | NO. | MATERIAL | FINISH . REMARKS |
| UNITS mm | | SCALE 5 : 1 | COUNT △ | DESCRIPTION OF REVISIONS | |
| DESIGNED | | CHECKED | | DATE | |
| APPROVED : HS. OKAWA | | 08.06.03 | | DRAWING NO. EDC3-152613-02 | |
| CHECKED : HS. OZAWA | | 08.06.03 | | PART NO. FX11B-80P-SV(22) | |
| DESIGNED : SY. KAMIGA | | 08.06.03 | | CODE NO. CL573-0558-4-22 | |
| DRAWN : HK. SUNADORI | | 08.06.02 | | △ 1/2 | |

DRAWING FOR PACKING(2:1)

REELED DIMENSION(Free)



- NOTES
- 1 REEL : 1000 CONNECTORS.
 - 2 MINIMUM 10 COMPARTMENTS FROM BOTH REEL ENDS REMAIN EMPTY.
 - 3 THIS PRODUCT HAS NO POLARITY TO TAPE AND REEL PACKAGING.
 - 4 THE DIMENSIONS IN PARENTHESES ARE FOR REFERENCE.
 - 5 REMOVE THE VACUUM PICKUP TAPE AFTER MOUNTING THE CONNECTOR.

| | | |
|------------|-------------|------------------|
| HRS | DRAWING NO. | EDC3-152613-02 |
| | PART NO. | FX11B-80P-SV(22) |
| | CODE NO. | CL573-0558-4-22 |
| | | \triangle 2/2 |