

821B YYY - 1 0 3 R 00 1

SERIES 12.00 [0.475]
 # OF POSITIONS (Ex. 002)
 SEE CHART A
 1 = MALE
 SOLDER CUP (PANEL MOUNT)
 1 = GOLD FLASH
 RoHS COMPLIANT
 NICKEL/CHROME PLATED SHELL

CHARACTERISSTICS

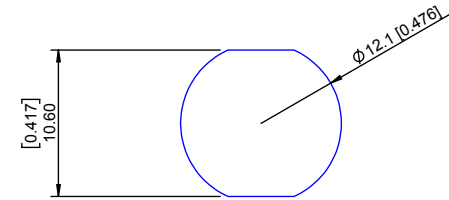
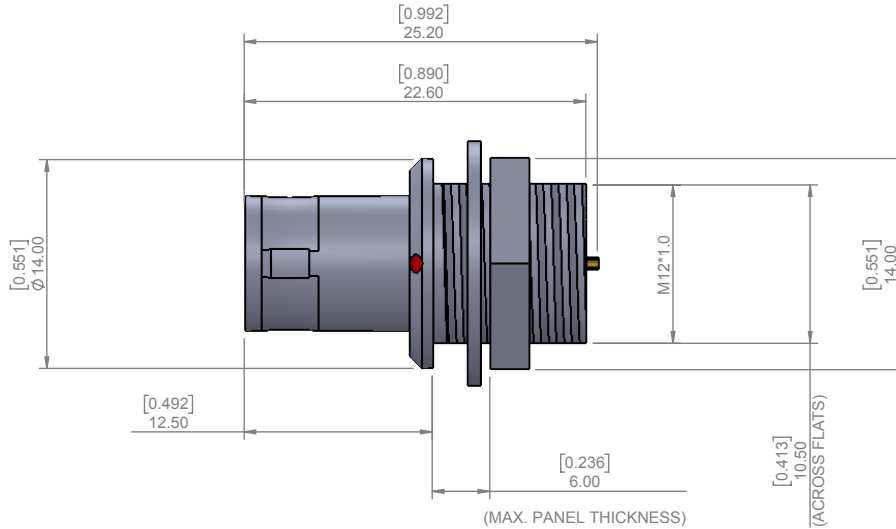
MATERIALS

SHELL : BRASS
 SHELL PLATING : NICKEL
 NUT : BRASS
 NUT PLATING : NICKEL
 LATCH SLEEVE : BRASS
 LATCH SLEEVE PLATING : NICKEL
 CONTACTS : COPPER ALLOY
 CONTACT PLATING : 7µ" GOLD PLATED OVER 196µ" NICKEL MIN.
 INSULATOR : PPS (HIGH TEMPERATURE)

MECHANICAL

DURABILITY: 5000 CYCLES
 OPERATING TEMP. RANGE: -40° C ~ +200° C
 PROCESS TEMPERATURE : 260°C FOR 5 SECONDS
 MAX. TORQUE VALUE : 4.5 Nm [39 IN/lbs]
 SHIELDING: 75dB @ 10MHz
 40dB @ 1GHz

IP RATING: 50



PANEL CUTOUT
 TOLERANCE = +0.10, -0.0
 [+0.004, -0.00]

CHART A

● = KEY LOCATION

VIEW FROM TERMINATION END

| | | | | | | | | |
|---|---|---|---|---|--|--|---|---|
| | | | | | | | | |
| 2 POSITION 20 AWG MAX. 15 AMP MAX. PIN Ø = 1.30 [0.051] | 3 POSITION 20 AWG MAX. 12 AMP MAX. PIN Ø = 1.30 [0.051] | 4 POSITION 22 AWG MAX. 10 AMP MAX. PIN Ø = 0.90 [0.035] | 5 POSITION 22 AWG MAX. 9 AMP MAX. PIN Ø = 0.90 [0.035] | 6 POSITION 24 AWG MAX. 7 AMP MAX. PIN Ø = 0.70 [0.028] | 7 POSITION 24 AWG MAX. 7 AMP MAX. PIN Ø = 0.70 [0.028] | 8 POSITION 24 AWG MAX. 5 AMP MAX. PIN Ø = 0.70 [0.028] | 10 POSITION 28 AWG MAX. 2.5 AMP MAX. PIN Ø = 0.50 [0.020] | 14 POSITION 28 AWG MAX. 2 AMP MAX. PIN Ø = 0.50 [0.020] |
| CONTACT RESISTANCE = 5 mΩ TEST VOLTAGE = 1500V WORKING VOLTAGE = 500V | CONTACT RESISTANCE = 5 mΩ TEST VOLTAGE = 1300V WORKING VOLTAGE = 430V | CONTACT RESISTANCE = 6 mΩ TEST VOLTAGE = 1300V WORKING VOLTAGE = 430V | CONTACT RESISTANCE = 6 mΩ TEST VOLTAGE = 1250V WORKING VOLTAGE = 415V | CONTACT RESISTANCE = 7.5 mΩ TEST VOLTAGE = 1050V WORKING VOLTAGE = 350V | CONTACT RESISTANCE = 7.5 mΩ TEST VOLTAGE = 950V WORKING VOLTAGE = 315V | CONTACT RESISTANCE = 7.5 mΩ TEST VOLTAGE = 950V WORKING VOLTAGE = 315V | CONTACT RESISTANCE = 10 mΩ TEST VOLTAGE = 900V WORKING VOLTAGE = 300V | CONTACT RESISTANCE = 10 mΩ TEST VOLTAGE = 800V WORKING VOLTAGE = 260V |

RoHS COMPLIANT

| | | | | | | |
|--|------------------|------------------|----------------|---------------|-------------------------|--------|
| <p>THESE DRAWINGS AND SPECIFICATIONS ARE THE PROPERTY OF NorComp AND SHALL NOT BE REPRODUCED, COPIED OR USED AS THE BASIS FOR THE MANUFACTURE OR SALE OF APPARATUS WITHOUT WRITTEN PERMISSION.</p> | <h1>NorComp</h1> | DRAWN: M. SIGMON | DATE: 02-05-16 | SCALE: N.T.S. | SHEET 1 OF 1 | REV: 2 |
| | | CHECKED: | DATE: | | DWG NO. 821BYYY-103R001 | |