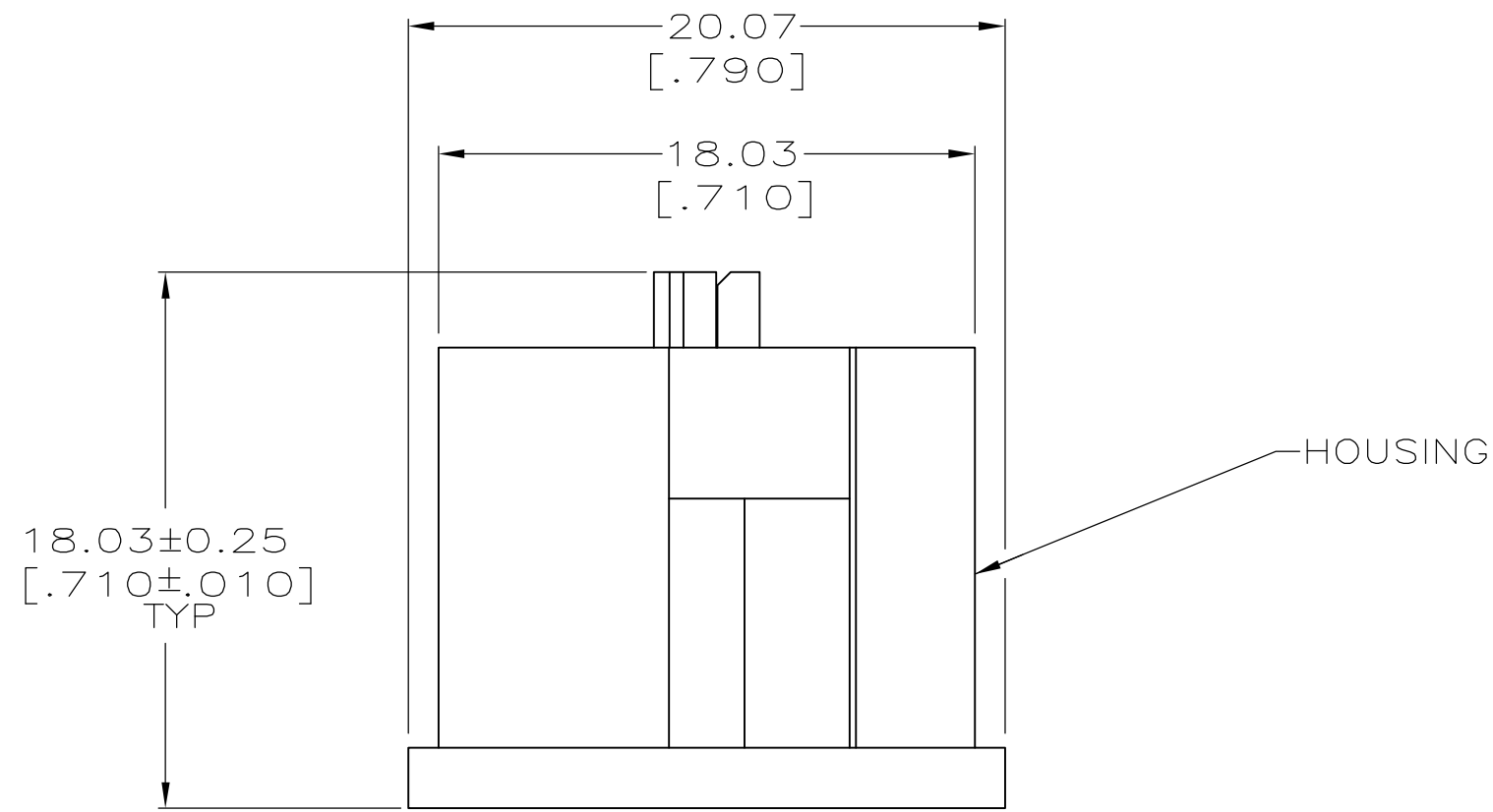
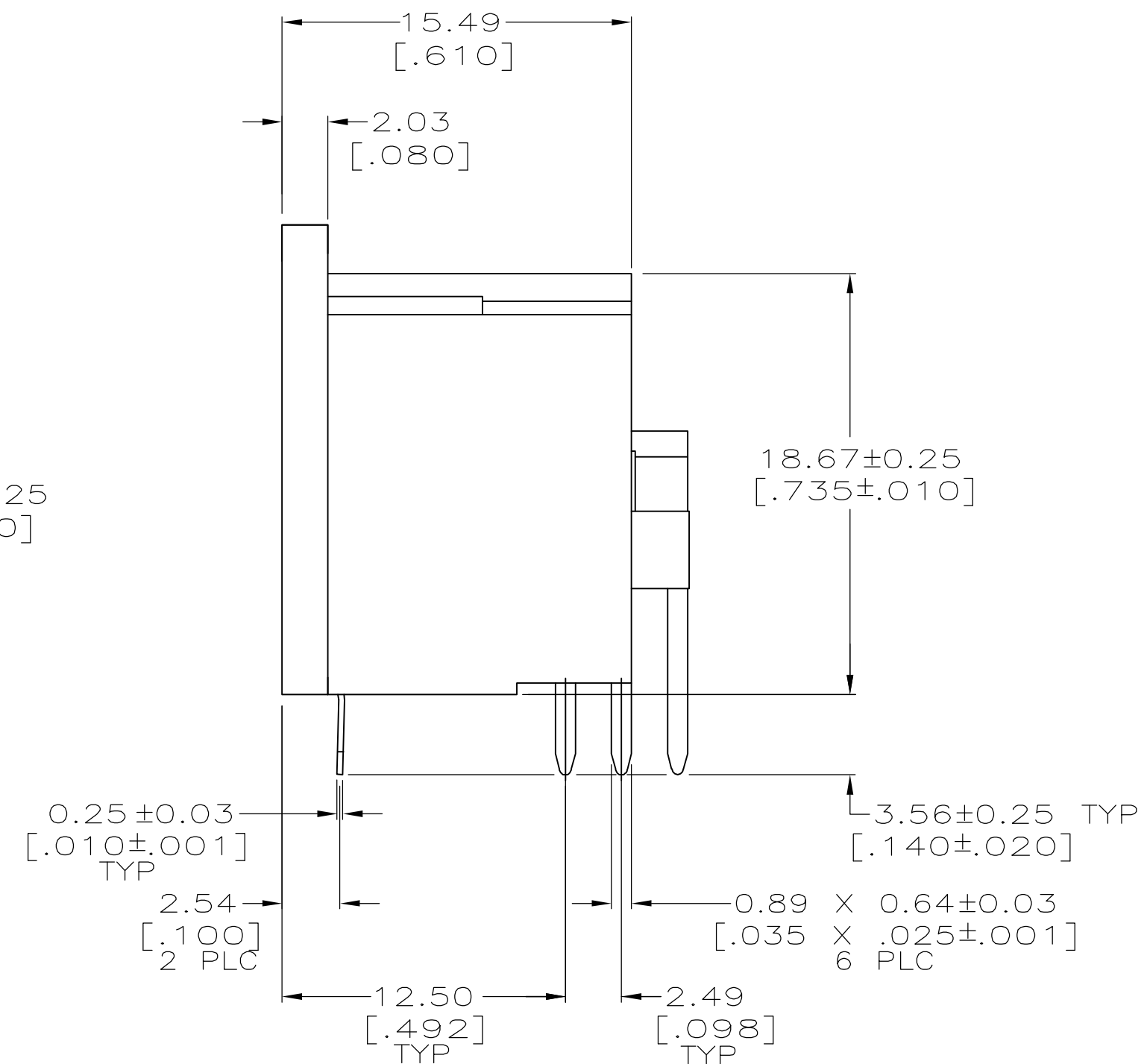
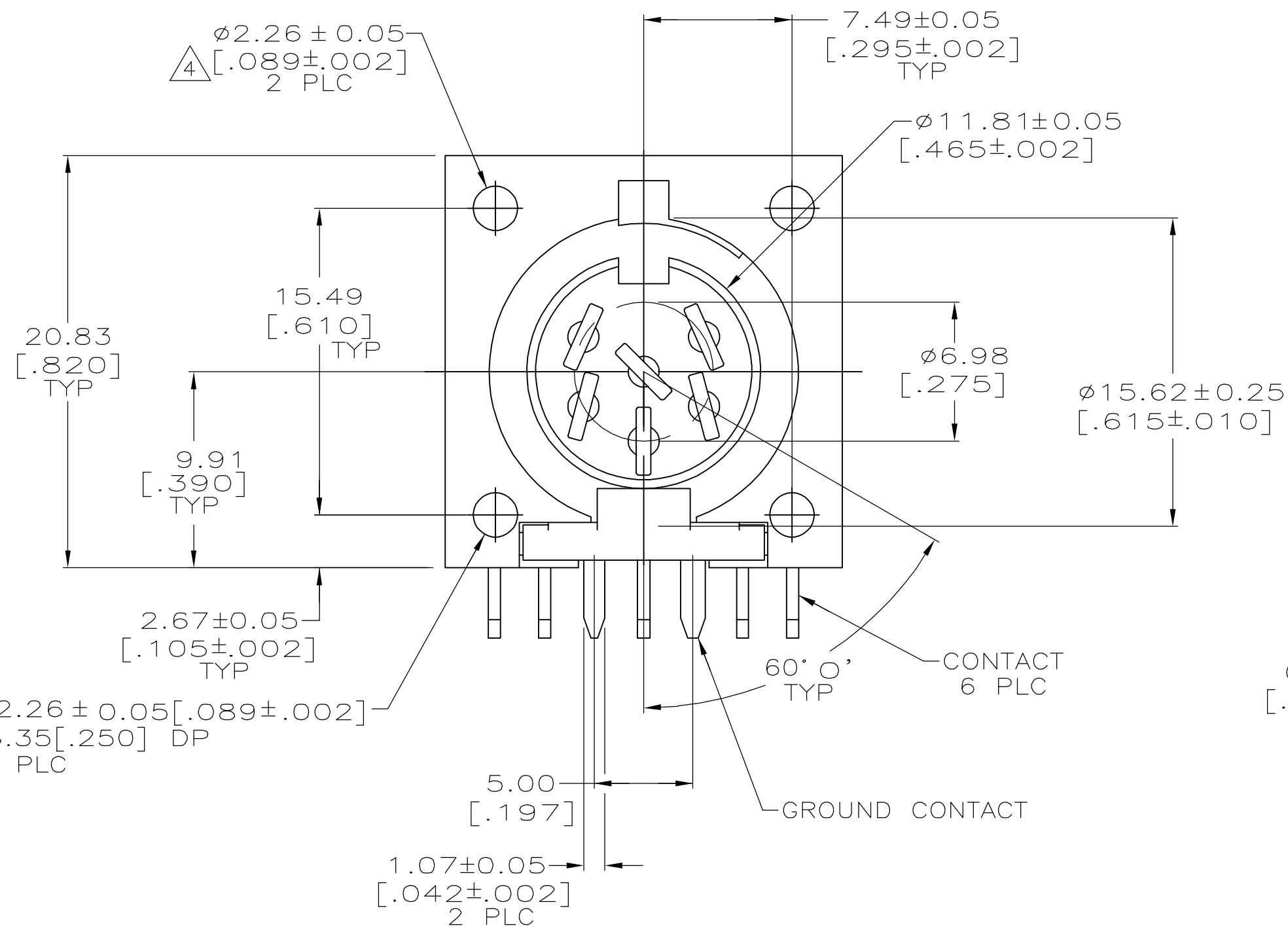


THIS DRAWING IS UNPUBLISHED. RELEASED FOR PUBLICATION  
 © COPYRIGHT BY TYCO ELECTRONICS CORPORATION. ALL RIGHTS RESERVED.

| LOC |     | DIST        |  | REVISIONS                 |         |         |  |
|-----|-----|-------------|--|---------------------------|---------|---------|--|
| P   | LTR | DESCRIPTION |  | DATE                      | DWN     | APVD    |  |
| GP  | 00  | 01          |  | REVISED PER ECO-07-008008 | 10APR07 | JDP/CWR |  |



- ① HOUSING: NYLON, UL 94V-0 RATED, BLACK.
- ② CONTACTS & GROUND CONTACT: 2.54μm [.000100] MIN TIN OVER 1.27μm [.000050] MIN NICKEL.
- ③ ACCEPTS #2 SELF-TAPPING SCREW, 6.35[.250] LONG REF.
- ④ CONTACTS & GROUND CONTACT: BRASS.



5786290-1  
 PART NO

|  |                 |                                |   |                 |
|--|-----------------|--------------------------------|---|-----------------|
| THIS DRAWING IS A CONTROLLED DOCUMENT. |                 | DWN L. VARELA - DOCK5 11-12-04 | Tyco Electronics Corporation<br>Harrisburg, PA 17105-3608   |                 |
| DIMENSIONS: mm [INCHES]                |                 | CHK C. ROHDE 11-12-04          | NAME RECEPTACLE ASSY, RIGHT ANGLE, 6 POSITION, CIRCULAR DIN |                 |
| TOLERANCES UNLESS OTHERWISE SPECIFIED: |                 | APVD M. WALMSLEY 11-12-04      | PRODUCT SPEC 108-10047                                      |                 |
| 0 PLC ± -                              | 1 PLC ± -       | APPLICATION SPEC 114-40025     | SIZE A2   | CAGE CODE 00779 |
| 2 PLC ± 0.13[.005]                     | 3 PLC ± -       | WEIGHT -                       | DRAWING NO C=5786290  | RESTRICTED TO - |
| 4 PLC ± -                              | ANGLES ± 0' 30' | FINISH                         | SCALE 4:1   | SHEET 1 of 1    |
| MATERIAL ① ④                           |                 | CUSTOMER DRAWING               |   |                 |
|  |                 | REV 01                         |   |                 |