

COUNT	DESCRIPTION OF REVISIONS	BY	CHKD	DATE	COUNT	DESCRIPTION OF REVISIONS	BY	CHKD	DATE
1	RE-H-05790	F.M.K.A.		'03.09.19					
3	RE-H-05963	T.Y.T.S.		'03.12.12					

Fig.1 : RECOMMENDED PATTERN Fig.2 : PLATING SPECIFICATION (40:1)

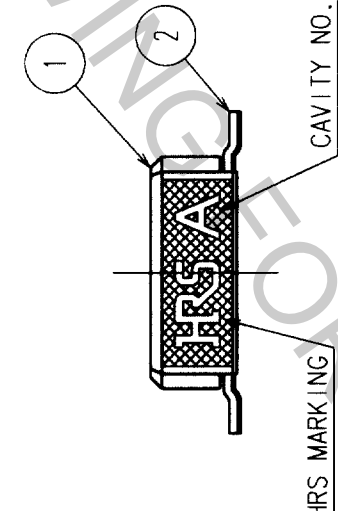
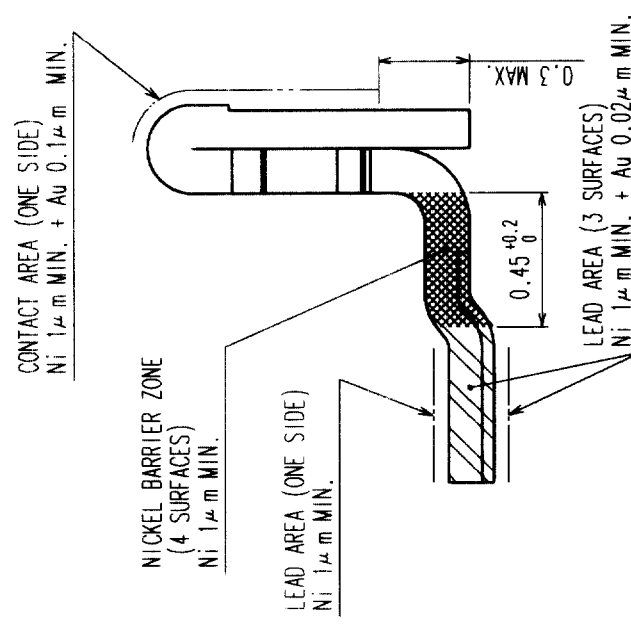
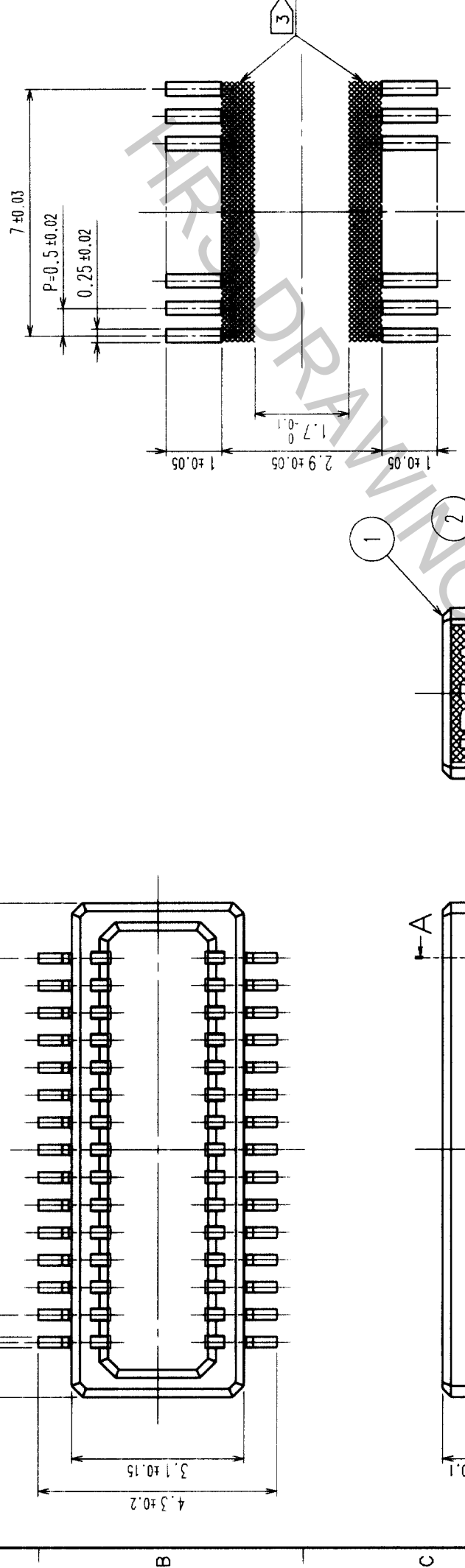


Fig.3 : A-A CROSS SECTION VIEW

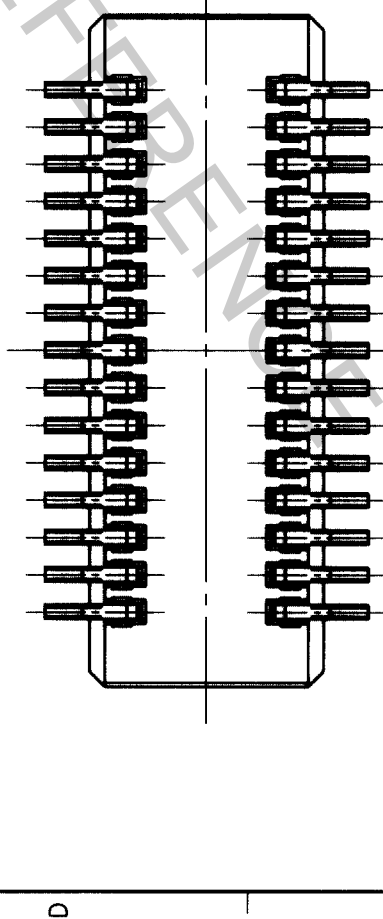


Fig.4 : MATING VIEW

NOTES 1 LEAD CO-PLANARITY SHALL BE 0.1mm MAX.

2 REFER TO Fig.2

3 WHEN A PART MARKED WITH HAS A PATTERN BUT NO RESIST ON IT, TAKE CARE TO PREVENT THE CONNECTOR FROM TOUCHING IT.

NO.	MATERIAL	FINISH, REMARKS	NO.	MATERIAL	FINISH, REMARKS
2	PHOSPHOR BRONZE	2	4	POLYESTER	CLEAR
1	LCP	BLACK,UL94V-0	3	PS	CLEAR

CODE NO. (OLD)	DRAWN	DESIGNED	CHECKED	APPROVED	RELEASED
	A.Hirota	T.Yamamoto	K.Akiyama	K.Akiyama	
	'03. 7.25	'03. 7.25	'03. 7.25	'03. 7.25	'03. 7.25

DRAWING NO.	PART NO.
EDC3-164004-02	DF23C-30DP-0.5V(92)

SCALE	UNITS	CODE NO.
10 : 1	mm	CL688-0802-0-92

TO	

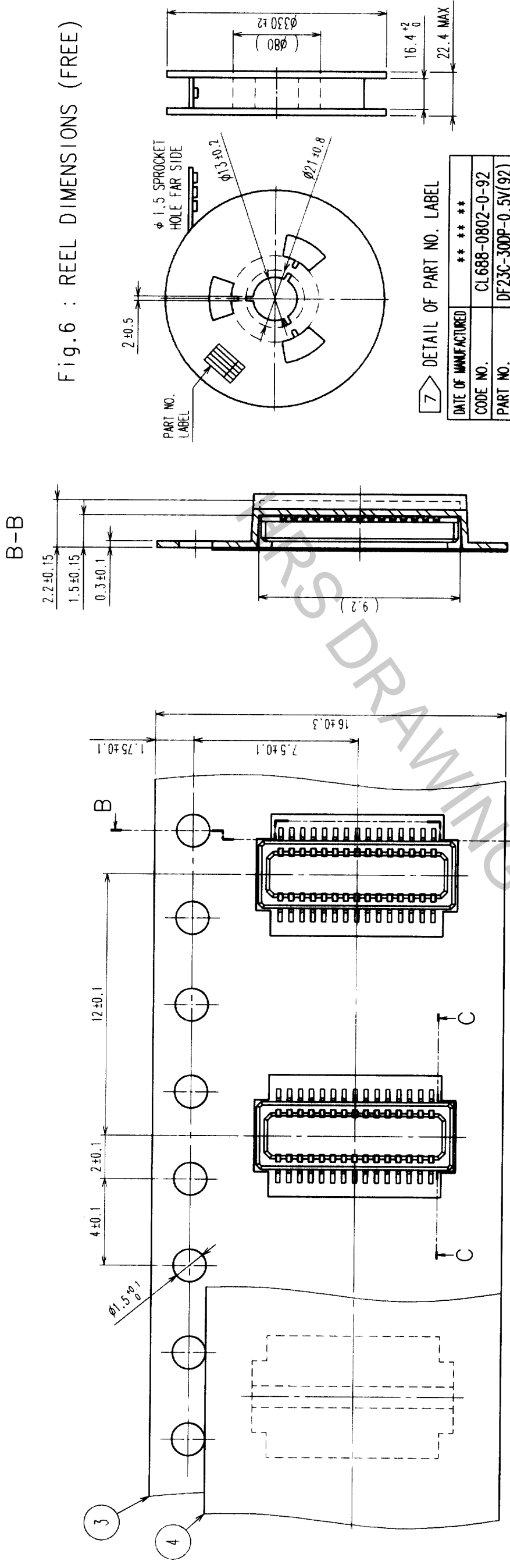
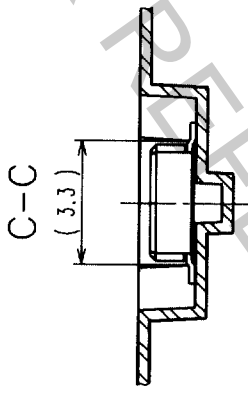


Fig. 6 : REEL DIMENSIONS (FREE)

7 DETAIL OF PART NO. LABEL

DATE OF MANUFACTURED	*****
CODE NO.	CL688-0802-0-92
PART NO.	DF23C-30DP-0.5V(92)
QUANTITY	2000
SUPPLIER	HIROSE ELECTRIC CO., LTD.

DIRECTION OF UNREELING



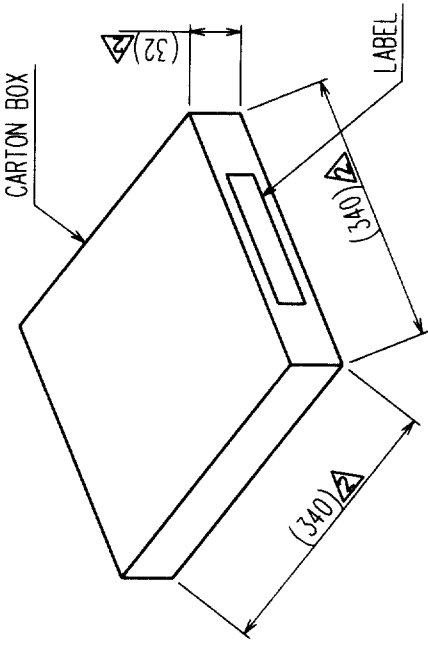
6 Fig. 5 : TAPING (FREE)

LEADER

NOTES  
 4 PER REEL 2000 CONNECTORS  
 5 THE DIMENSIONS IN PARENTHESES ARE FOR REFERENCE.  
 6 REFER TO JIS C 0806  
 (PACKAGING OF COMPONENTS FOR AUTOMATIC HANDLING)  
 7 DETAIL OF PART NO. LABEL IS WRITTEN IN JAPANESE.

△ Fig. 7 : PACKAGING SPECIFICATION (FREE)

PACKAGING DIMENSION



DETAIL OF LABEL

CODE NO. NUMBER OF REELS PER BOX

品名	688-0802-0-92	数量	1RL
PART NO.	DF23C-30DP-0.5V(92)	QTY	2000
PART NO.	NUMBER OF PRODUCTS PER REEL		

TRAILER

TO	

CODE NO. (OLD)		DRAWN	A.Hirota	DESIGNED	T.Yamamoto	CHECKED	K.Akiyomo	APPROVED	K.Akiyomo	RELEASED	
SCALE	5 : 1										
UNITS	mm										
DRAWING NO.	EDC3-164004-02	PART NO.	DF23C-30DP-0.5V(92)								
		CODE NO.	CL688-0802-0-92								

HRS

HIROSE ELECTRIC CO., LTD