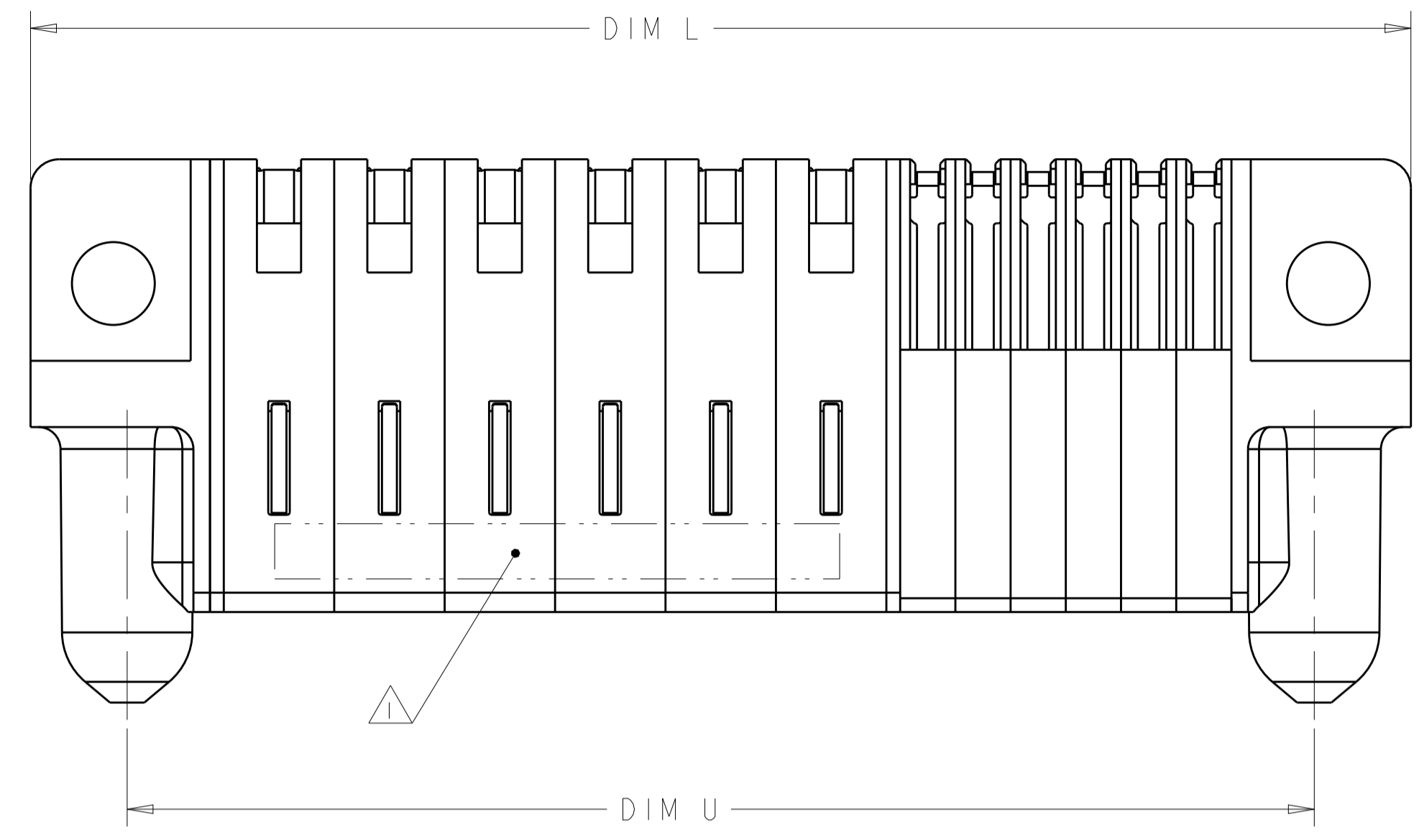
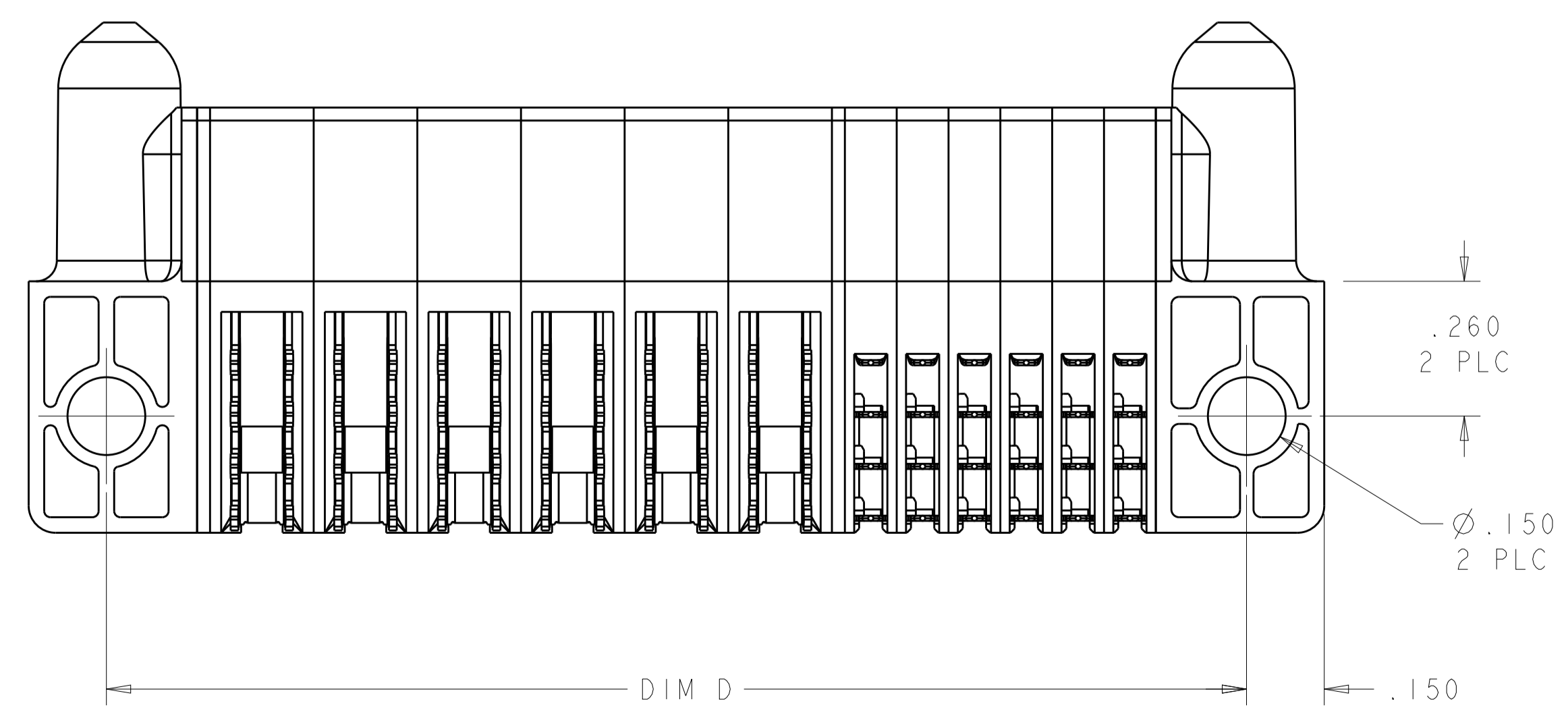
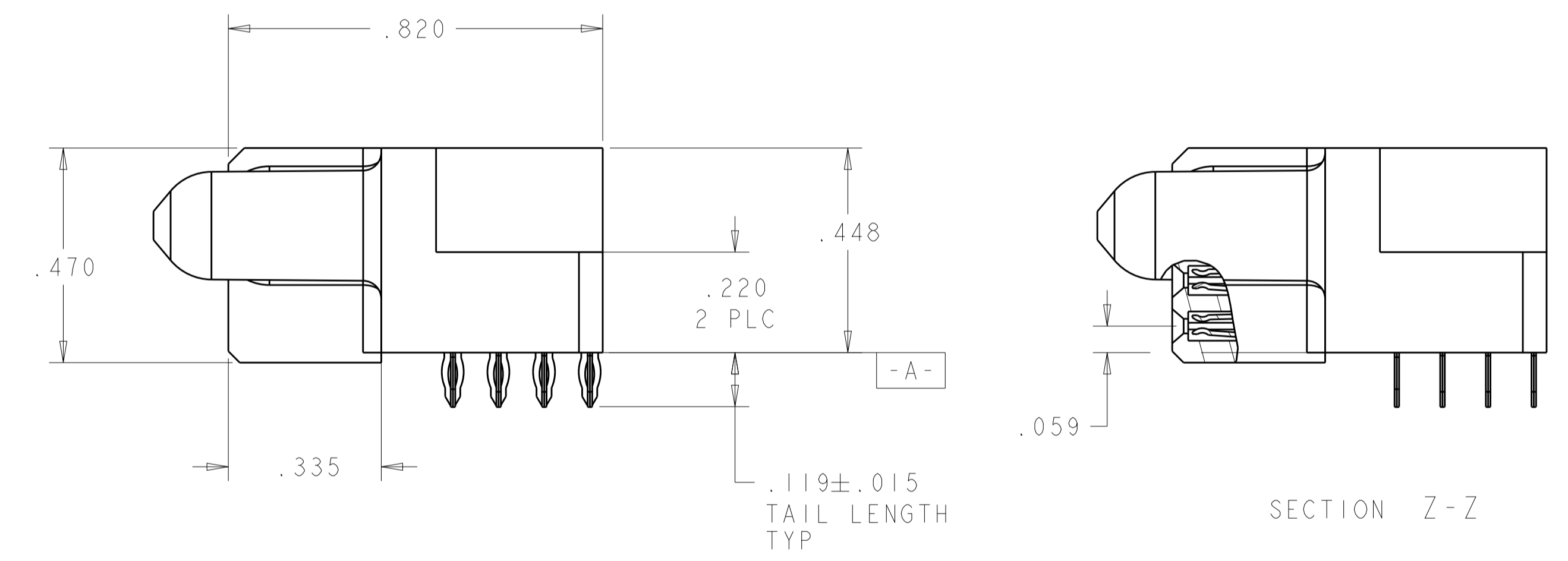
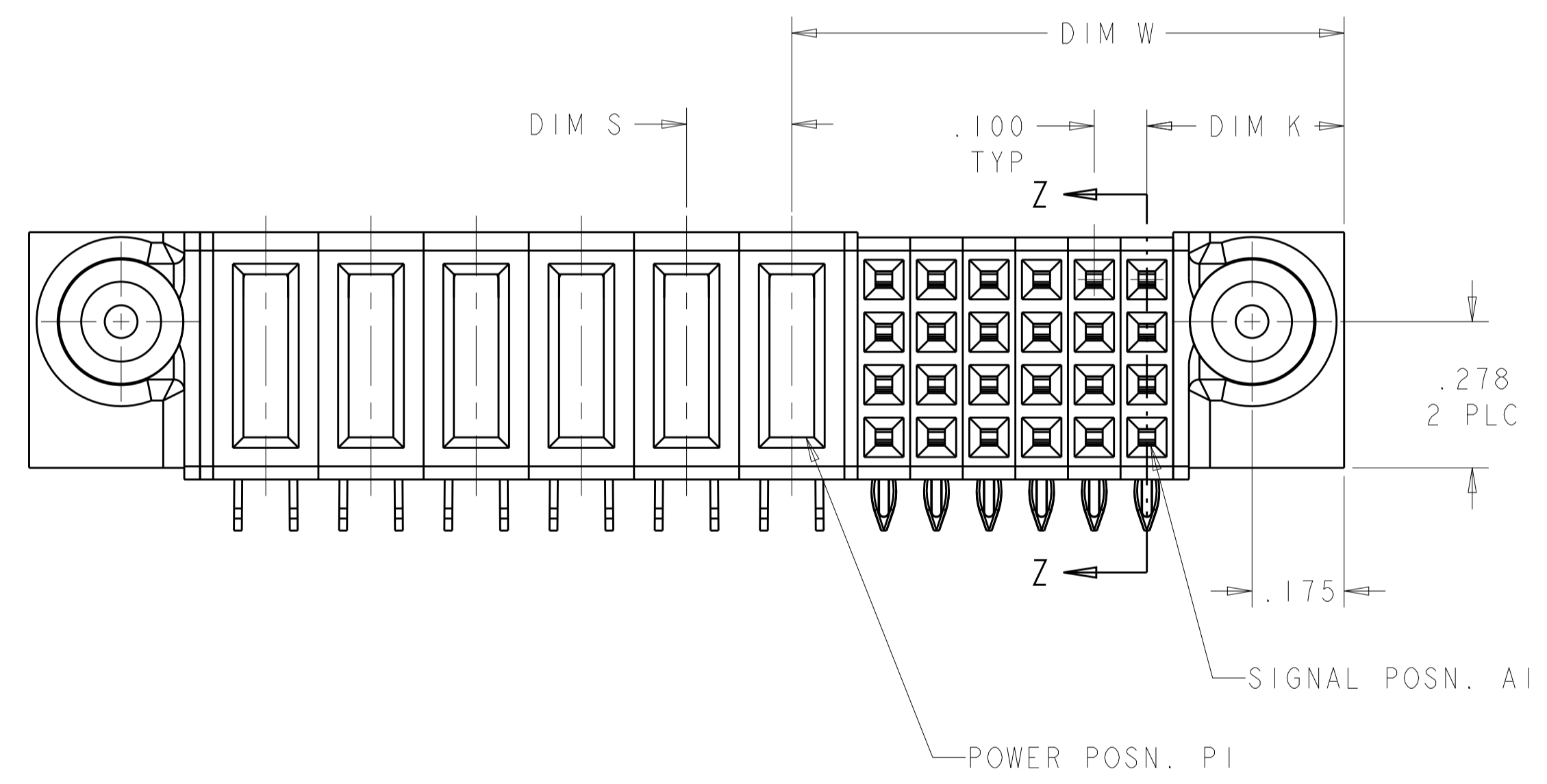


LOC	DIST	REVISIONS			
		REV	DATE	BY	CHK
GP	00	B7	REV PER ECR-13-004638	20MAR2013	ML SZ



- ① "AMP", PART NUMBER AND DATE CODE TO BE MARKED
- ② MATERIAL: HOUSING - GLASS FILLED HIGH TEMP THERMO PLASTIC, UL94 V-O. COLOUR BLACK.  
SIGNAL CONTACT - COPPER ALLOY  
POWER CONTACT - HIGH CONDUCTIVITY COPPER ALLOY
- ③ CONTACT PLATING: NOBLE METAL PLATING ON CONTACT FUNCTIONAL AREA OF POWER AND SIGNAL CONTACTS
- ④ MECHANICAL CONNECTOR KEEP OUT ZONE.
- ⑤ DATUM AND BASIC DIMENSIONS ESTABLISHED BY CUSTOMER.
- ⑥ PCB - ALL HOLE DIAMETERS ARE FINISHED HOLE SIZES
- ⑦ PCB - .0453±.0010 DRILLED HOLES PLATED WITH .0003 MIN Sn OVER .001 TO .003 Cu PLATING TO ACHIEVE A .040 DIAMETER HOLE
- ⑧ NOT RELEASE FOR PRODUCTION.
- ⑨ VARIABLE DIMENSIONS SHOWN ON PART VIEW(SHEET 4).



B4	.250	2.45	2.100	2.150	.750	.375	12S + 6P	6450571-5
	.250	2.750	3.400	2.450	1.050	.375	24S + 6P	6450571-4
⑧	.200	3.675	3.325	3.375	1.050	.375	24S + 12HDP	6450571-3
B5	⑨	2.950	2.600	2.650	1.075	.400	24S + 8P	6450571-2
	.200	2.500	2.150	2.200	1.050	.375	24S + 6P	6450571-1
	DIM S	DIM L	DIM U	DIM D	DIM W	DIM K	DESCRIPTION	PART NUMBER

THIS DRAWING IS A CONTROLLED DOCUMENT. DWG: R.GRZYBOWSKI 28DEC04  
CHK: M.PERCHEKKE 28DEC04  
APVD: M.PERCHEKKE

DIMENSIONS: INCHES. TOLERANCES UNLESS OTHERWISE SPECIFIED:  
0 PLC ±.01  
1 PLC ±.01  
2 PLC ±.01  
3 PLC ±.005  
4 PLC ±.0020  
ANGLES ±.2

MATERIAL: ② FINISH: ③

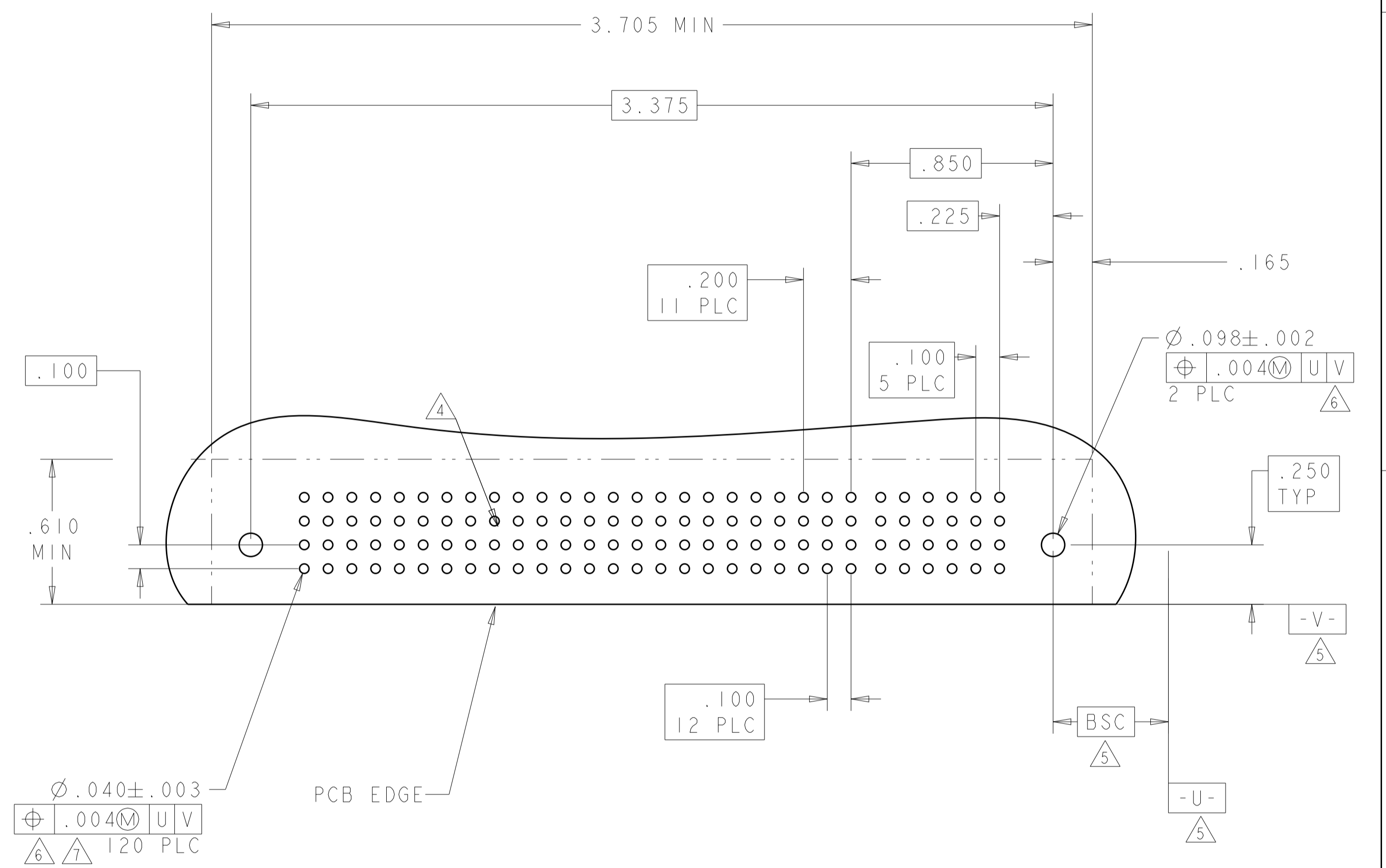
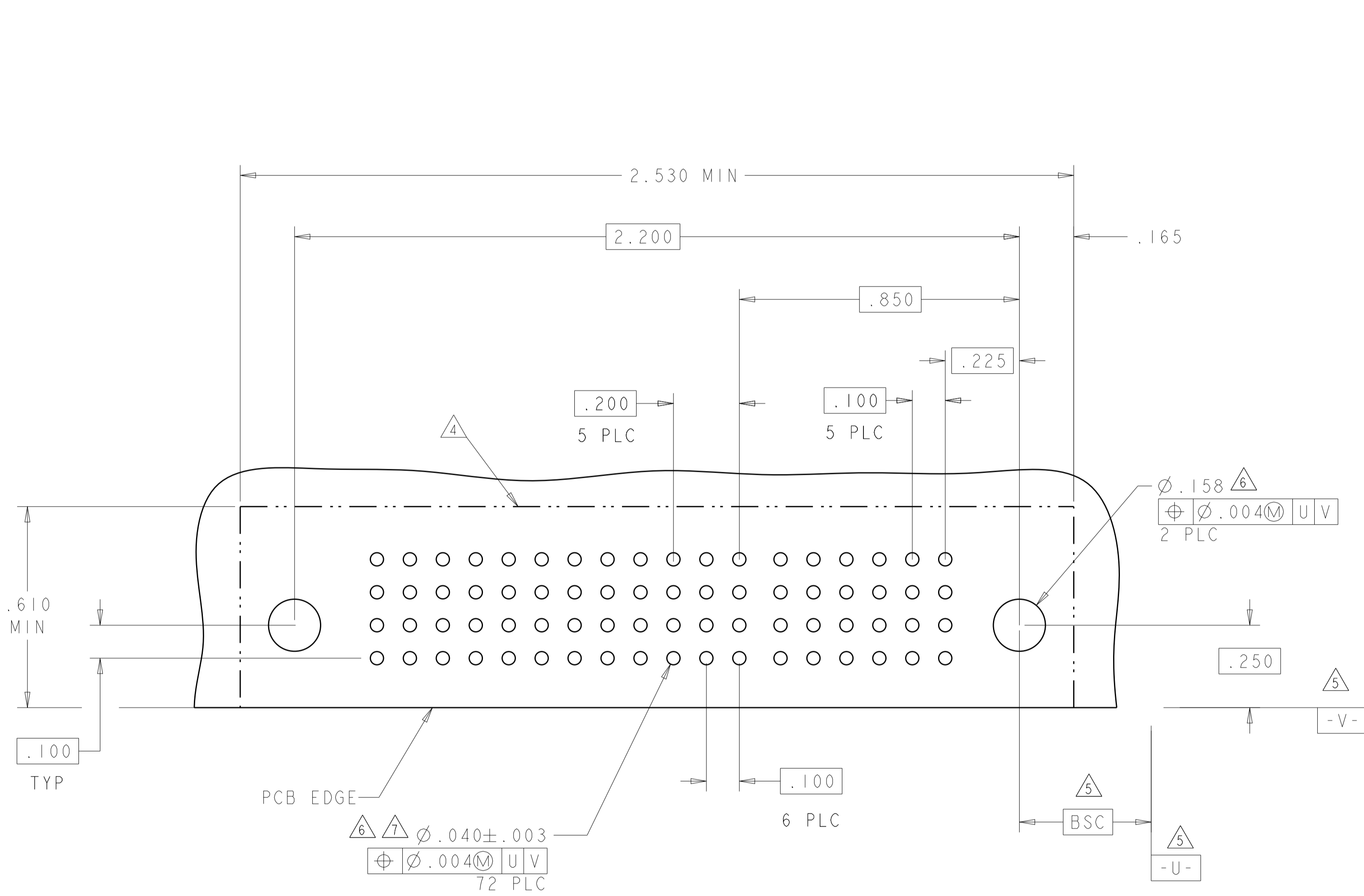
NAME: RIGHT ANGLE RECEPTACLE ASSEMBLY PRESS FIT W/GUIDES MULTI-BEAM XL  
PRODUCT SPEC: 108-1973  
APPLICATION SPEC: 114-13038  
WEIGHT: -  
CUSTOMER DRAWING

SCALE: 4:1 SHEET 1 OF 4 REV: B7

LOC	DIST	REVISIONS			
GP	00	REV	DATE	BY	APP'D
		-	SEE SHEET 1	-	-

PART NUMBER	ROWS	POWER						SIGNAL					
		P6	P5	P4	P3	P2	P1	6	5	4	3	2	1
6450571-1	DCBA	RP	RP	RP	RP	RP	RP	D	D	D	D	D	D
		C	C	C	C	C	C	C	C	C	C	C	C
		B	B	B	B	B	B	B	B	B	B	B	B
		A	A	A	A	A	A	A	A	A	A	A	A
24S + 6P													

PART NUMBER	ROWS	POWER												SIGNAL					
		PI2	PI1	PI0	P9	P8	P7	P6	P5	P4	P3	P2	P1	6	5	4	3	2	1
6450571-3	DCBA	RS	RS	RS	RS	RS	RS	RP	RP	RP	RP	RP	RP	D	D	D	D	D	D
		C	C	C	C	C	C	C	C	C	C	C	C	C	C	C	C	C	C
		B	B	B	B	B	B	B	B	B	B	B	B	B	B	B	B	B	B
		A	A	A	A	A	A	A	A	A	A	A	A	A	A	A	A	A	A
24S + 12HDP																			



TAIL LENGTH	CODE	DESCRIPTION	ROW
-	HD	HOLD DOWN	-
.165	DD	SIGNAL CONTACT, PRESS-FIT	D
.165	CC	SIGNAL CONTACT, PRESS-FIT	C
.165	BB	SIGNAL CONTACT, PRESS-FIT	B
.165	AA	SIGNAL CONTACT, PRESS-FIT	A
.119	D	SIGNAL CONTACT, PRESS-FIT	D
.119	C	SIGNAL CONTACT, PRESS-FIT	C
.119	B	SIGNAL CONTACT, PRESS-FIT	B
.119	A	SIGNAL CONTACT, PRESS-FIT	A
.165	RL	POWER CONTACT, STD, PRESS FIT	-
.119	RS	POWER CONTACT, STD, PRESS FIT	-
.119	RP	POWER CONTACT, MFBL, PRESS FIT	-

THIS DRAWING IS A CONTROLLED DOCUMENT. DWG: R.GRZYBOWSKI 28DEC04  
 CHK: M.PERCHEKKE 28DEC04

DIMENSIONS: INCHES. TOLERANCES UNLESS OTHERWISE SPECIFIED:  
 0 PLC ±.01  
 1 PLC ±.01  
 2 PLC ±.01  
 3 PLC ±.005  
 4 PLC ±.005  
 5 PLC ±.0020  
 ANGLES ±.020

MATERIAL: FINISH:

SCALE: 4:1 SHEET 2 OF 4 REV B7

STE TE Connectivity

NAME: RIGHT ANGLE RECEPTACLE ASSEMBLY PRESS FIT W/GUIDES MULTI-BEAM XL

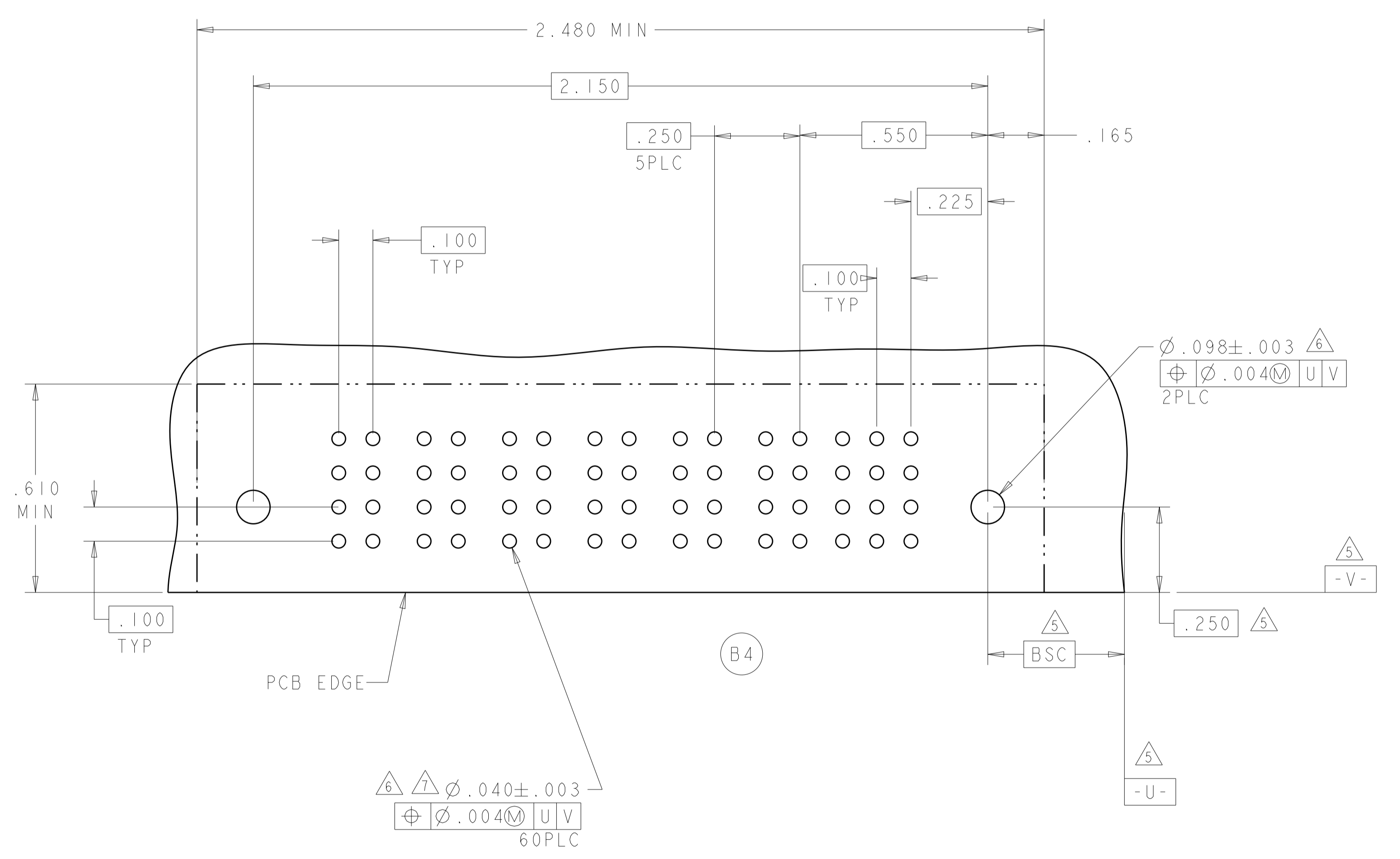
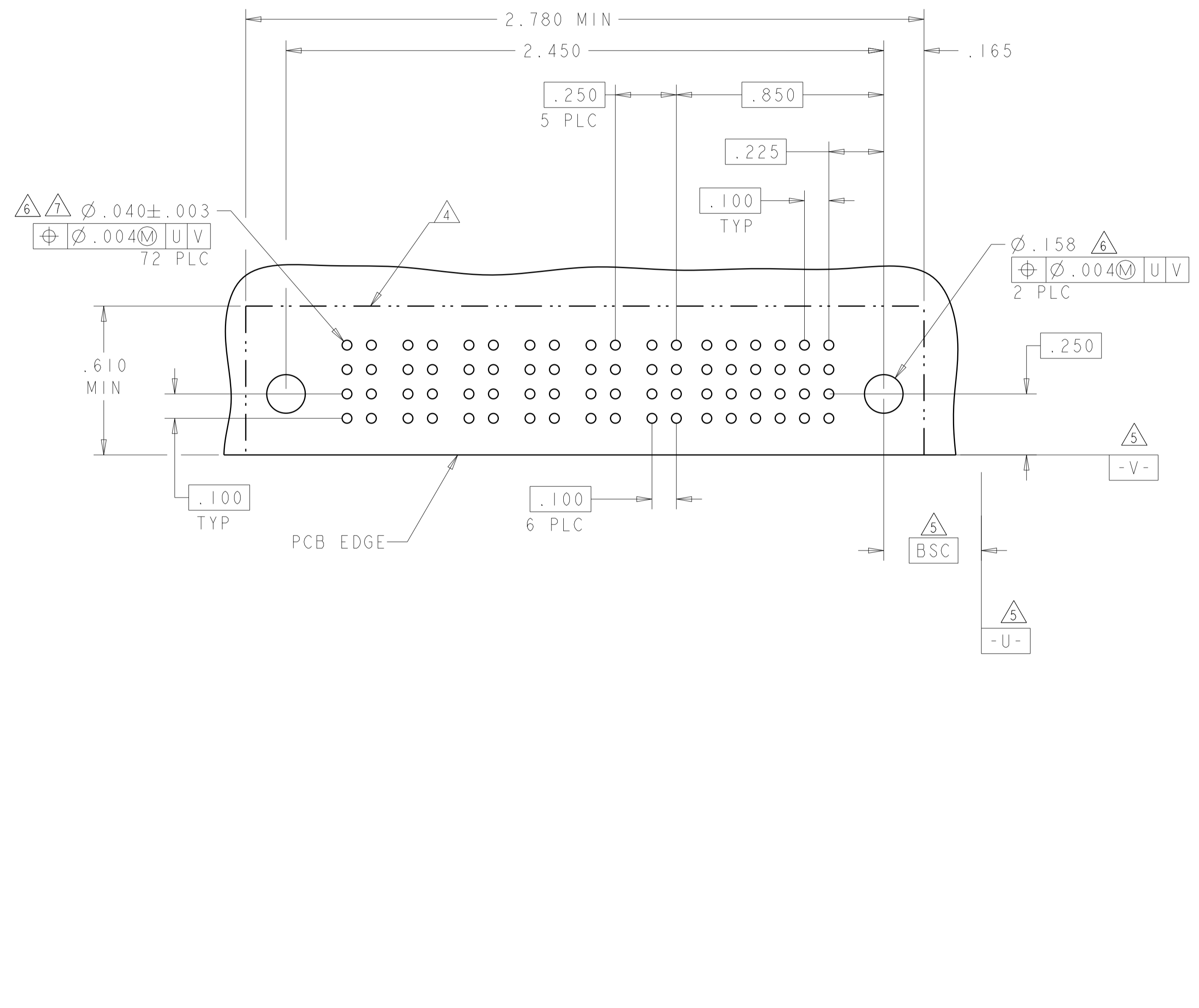
SIZE: CAGE CODE DRAWING NO: 114-13038 WEIGHT: A100779C=6450571

CUSTOMER DRAWING

LOC	DIST	REV	DATE	BY	APPV
GP	00				
REVISIONS			DESCRIPTION	DATE	BY
			SEE SHEET 1		

PART NUMBER	ROWS	POWER						SIGNAL					
		P6	P5	P4	P3	P2	P1	6	5	4	3	2	1
6450571-4	D C B A	RL	RL	RL	RL	RL	RL	DD	DD	DD	DD	DD	DD
		RL	RL	RL	RL	RL	RL	CC	CC	CC	CC	CC	CC
		RL	RL	RL	RL	RL	RL	BB	BB	BB	BB	BB	BB
24S + 6P								AA	AA	AA	AA	AA	AA

PART NUMBER	ROWS	POWER						SIGNAL		
		P6	P5	P4	P3	P2	P1	3	2	1
6450571-5	D C B A	RS	RS	RS	RS	RS	RS	D	D	D
		RS	RS	RS	RS	RS	RS	C	C	C
		RS	RS	RS	RS	RS	RS	B	B	B
		RS	RS	RS	RS	RS	RS	A	A	A
12S + 6P										



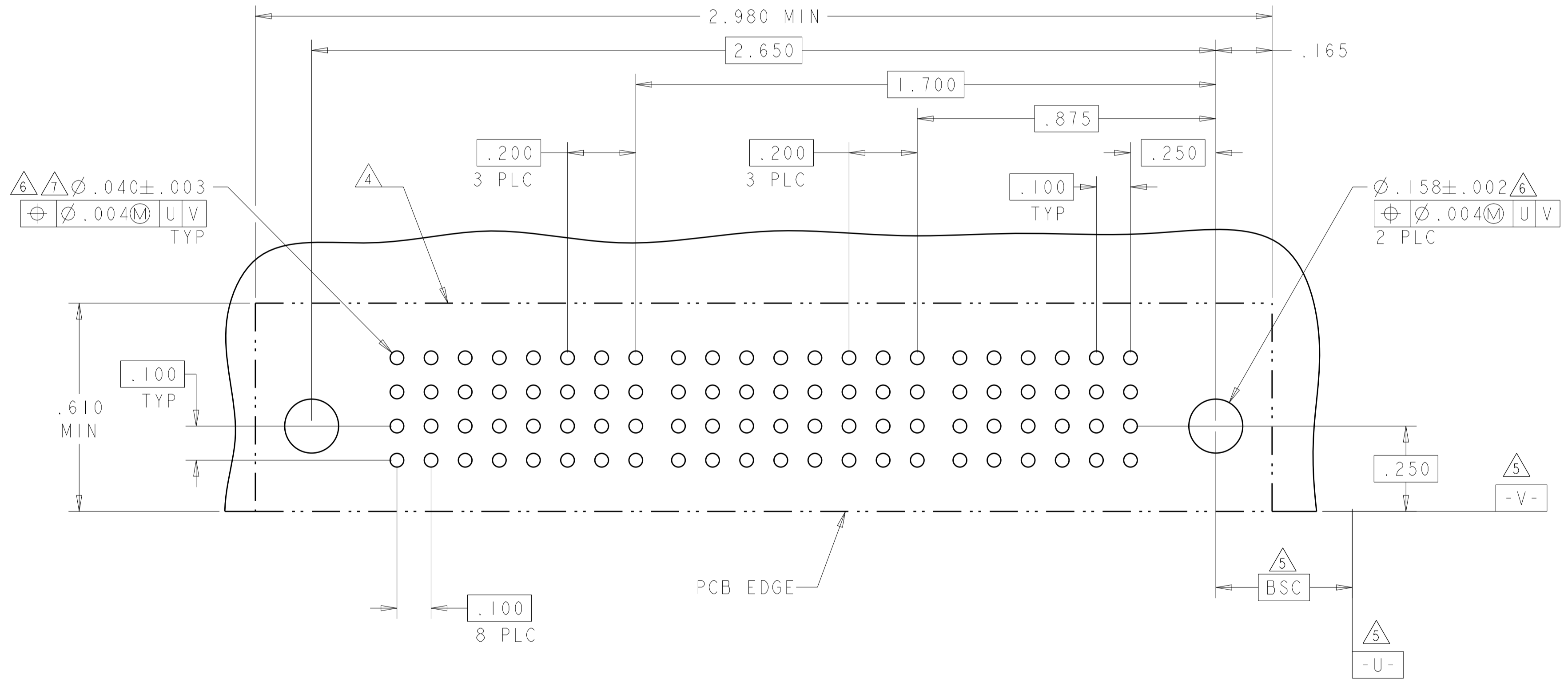
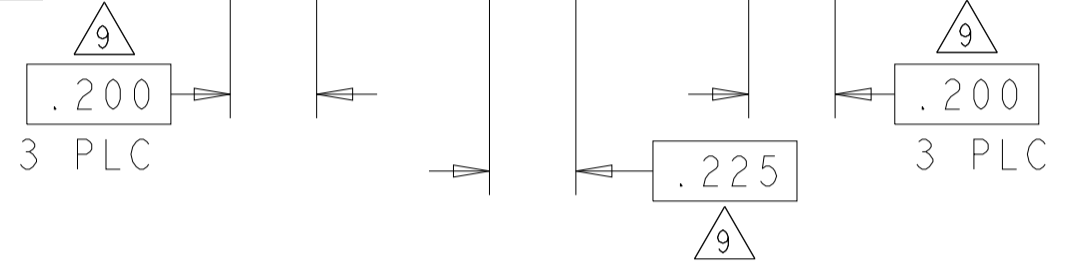
THIS DRAWING IS A CONTROLLED DOCUMENT.

DIMENSIONS:	TOLERANCES UNLESS OTHERWISE SPECIFIED:	OWN: R. GRZYBOWSKI 28DEC04	CHK: M. PERCHERKE 28DEC04
INCHES	0 PLC ± .010 1 PLC ± .008 2 PLC ± .006 3 PLC ± .005 4 PLC ± .004 ANGLES ± .0020	APVD: M. PERCHERKE	NAME: M. PERCHERKE
		PRODUCT SPEC: 108-1973	PRODUCT SPEC: 108-1973
		APPLICATION SPEC: 114-13038	APPLICATION SPEC: 114-13038
MATERIAL:	FINISH:	WEIGHT:	SIZE: A100779
			CAGE CODE: C=6450571
		CUSTOMER DRAWING	SCALE: 4:1 SHEET 3 OF 4 REV: B7

STE TE Connectivity  
RIGHT ANGLE RECEPTACLE ASSEMBLY PRESS FIT W/GUIDES MULTI-BEAM XL

LOC	DIST	REVISIONS			
P	LTH	DESCRIPTION	DATE	DWN	APVD
-	-	SEE SHEET 1	-	-	-

PART NUMBER	ROWS	POWER								SIGNAL					
		P8	P7	P6	P5	P4	P3	P2	P1	6	5	4	3	2	1
6450571-2	D C B A	RS	RS	RS	RS	RP	RP	RP	RP	D	D	D	D	D	D
		C	C	C	C	C	C	C	C	C	C	C	C	C	C
		B	B	B	B	B	B	B	B	B	B	B	B	B	B
24S + 8P		A	A	A	A	A	A	A	A	A	A	A	A	A	



THIS DRAWING IS A CONTROLLED DOCUMENT.		DWN R. GRZYBOWSKI CHK M. PERCHERKE	28DEC04 28DEC04	TE Connectivity <b>RIGHT ANGLE RECEPTACLE ASSEMBLY                  PRESS FIT W/GUIDES                  MULTI-BEAM XL</b>
DIMENSIONS: INCHES	TOLERANCES UNLESS OTHERWISE SPECIFIED:	APVD M. PERCHERKE	NAME -	
	0 PLC ±. 1 PLC ±. 2 PLC ±.01 3 PLC ±.005 4 PLC ±.0020 ANGLES ±.2	PRODUCT SPEC 108-1973	APPLICATION SPEC 114-13038	SIZE A100779
MATERIAL -	FINISH -	WEIGHT -	CAGE CODE C=6450571	RESTRICTED TO -
CUSTOMER DRAWING			SCALE 4:1	SHEET 4 OF 4
			REV B7	