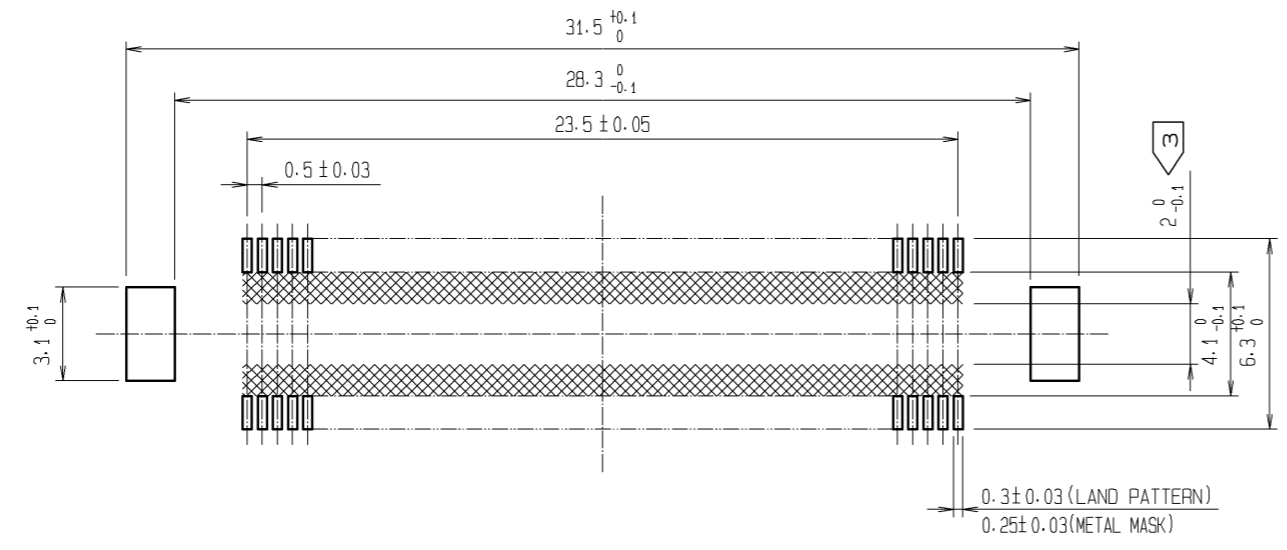


RECOMMENDED LAND PATTERN DIMENSION OF PCB
(RECOMMENDED METAL MASK THICKNESS: 0.15mm)



- NOTES
- 1 SMT LEAD-COPLANARITY: 0.1 MAX.
 - 2 THIS PRODUCT HAS NO POLARITY TO PATTERN FOR MOUNTING.
 - ③ MAKE SURE WIDTH OF PATTERN IS WITHIN THAT OF LAND, OR LEAD MAY TOUCH PATTERN. (THIS APPLIES TO HATCHED AREA.)
 - 4 THE DIMENSIONS IN PARENTHESES ARE FOR REFERENCE.

1	LCP	BEIGE	UL94V-0	3	PHOSPHOR BRONZE	TIN-PLATING
NO.	MATERIAL	FINISH	REMARKS	NO.	MATERIAL	FINISH . REMARKS
				2	PHOSPHOR BRONZE	CONTACT AREA: GOLD 0.1μm min. LEAD AREA: TIN-PLATING 1μm min. UNDER PLATING: NICKEL 1μm min.
UNITS mm		SCALE 4 : 1	COUNT 	DESIGNED		CHECKED
APPROVED : HS. OKAWA			09.04.14	DRAWING NO.		EDC3-151972-25
CHECED : HT. YAMAGUCHI			09.04.14	PART NO.		FX10B-96P-SV1(71)
DESIGNED : SY. KAMIGA			09.04.14	CODE NO.		CL570-0151-8-71
DRAWN : HK. SUNADORI			09.04.13			1/1