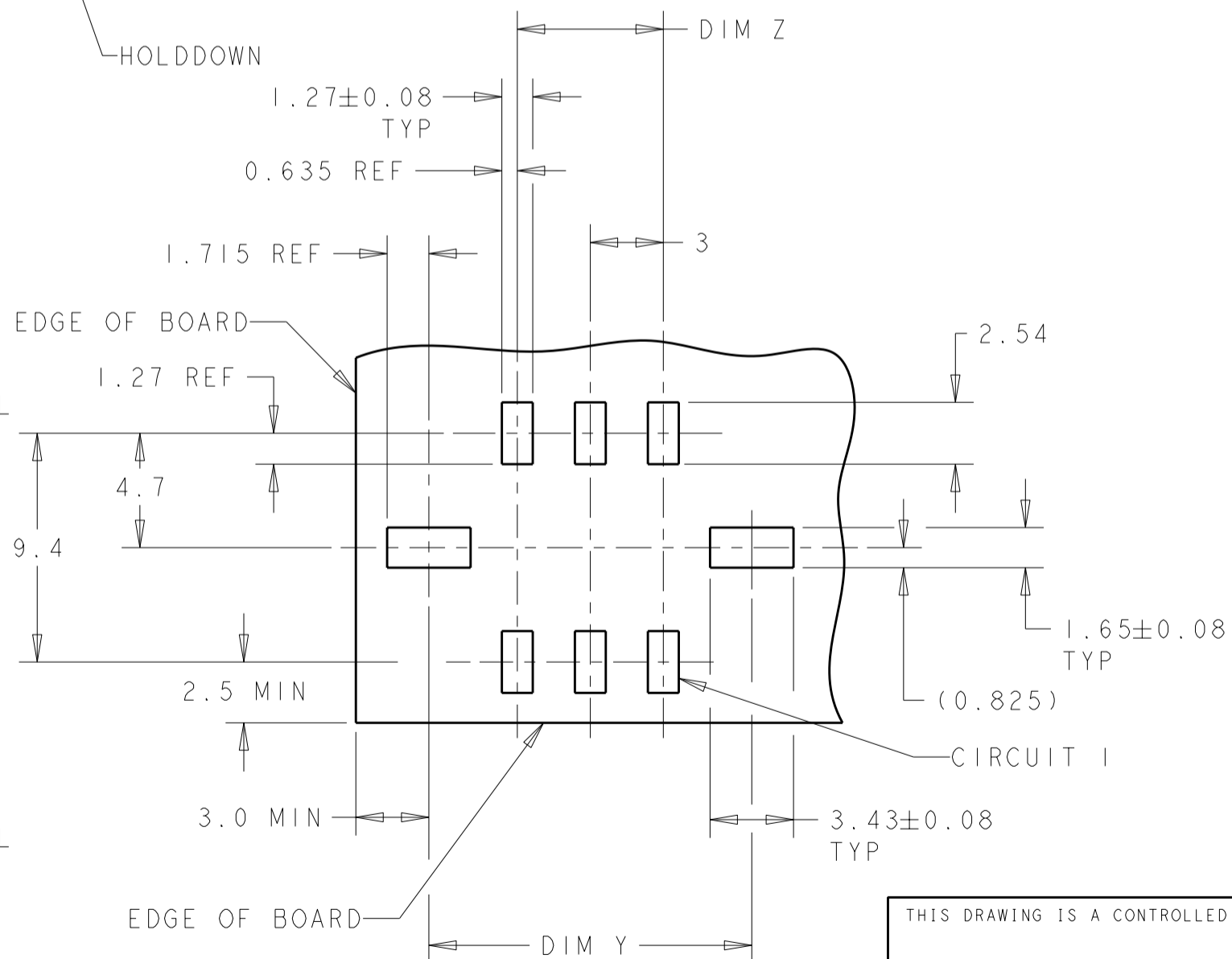
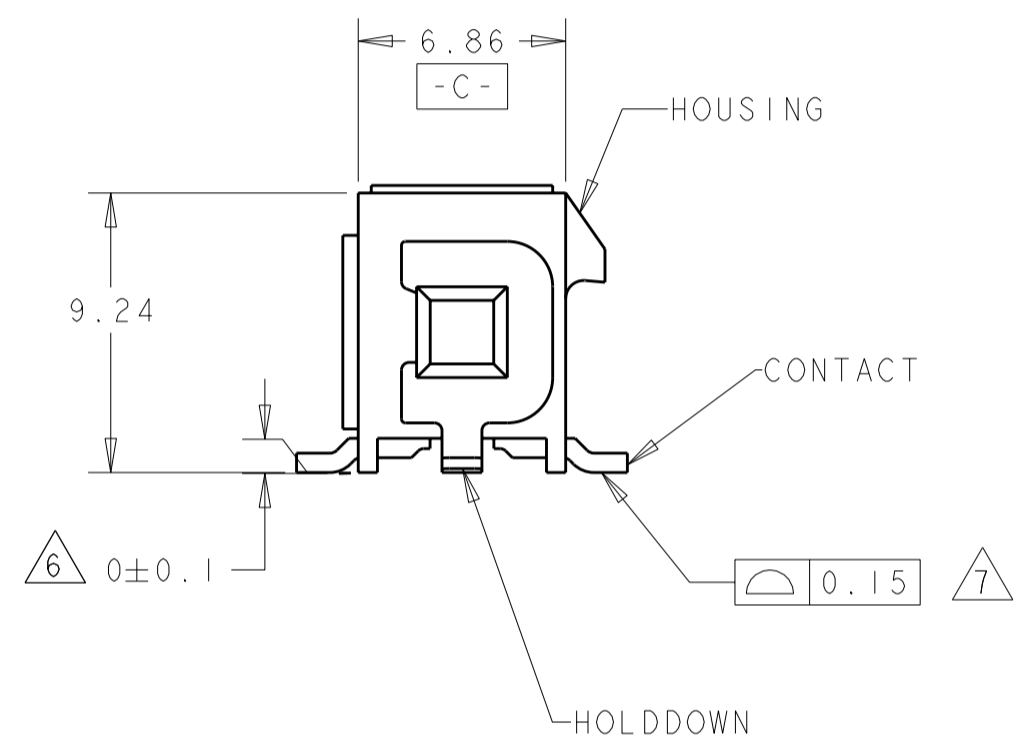
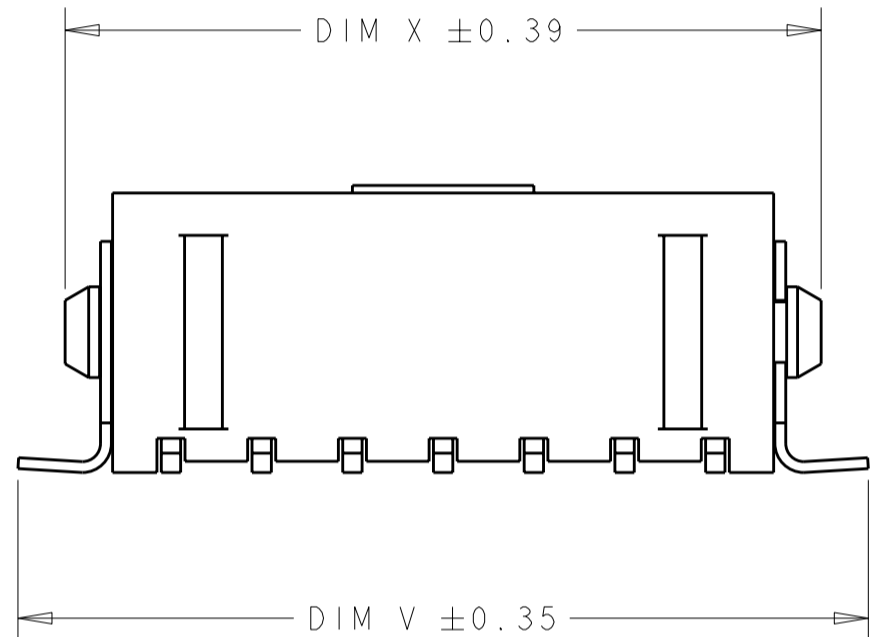
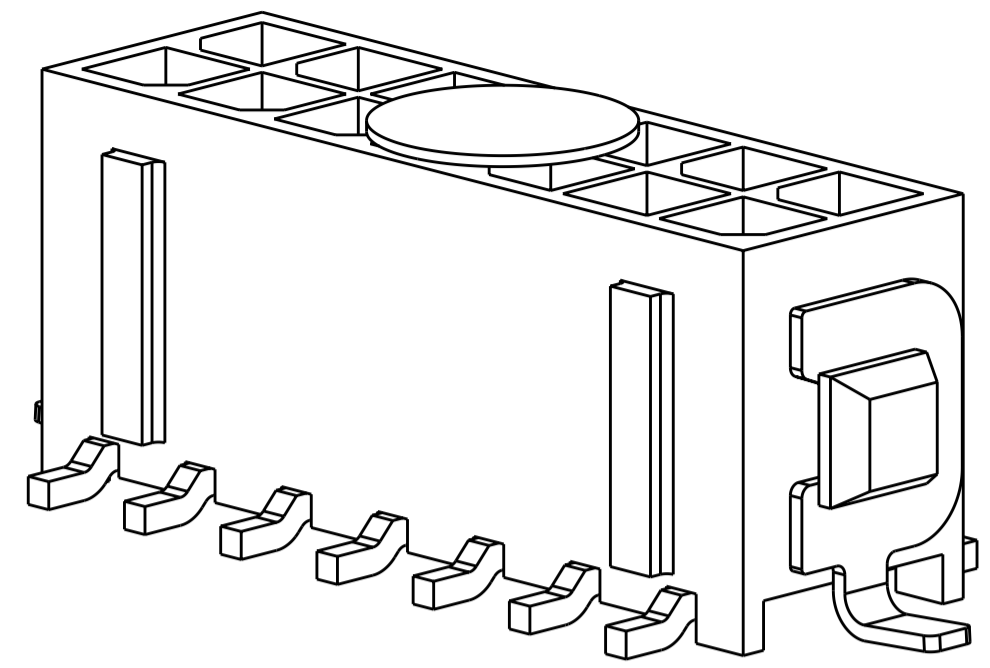
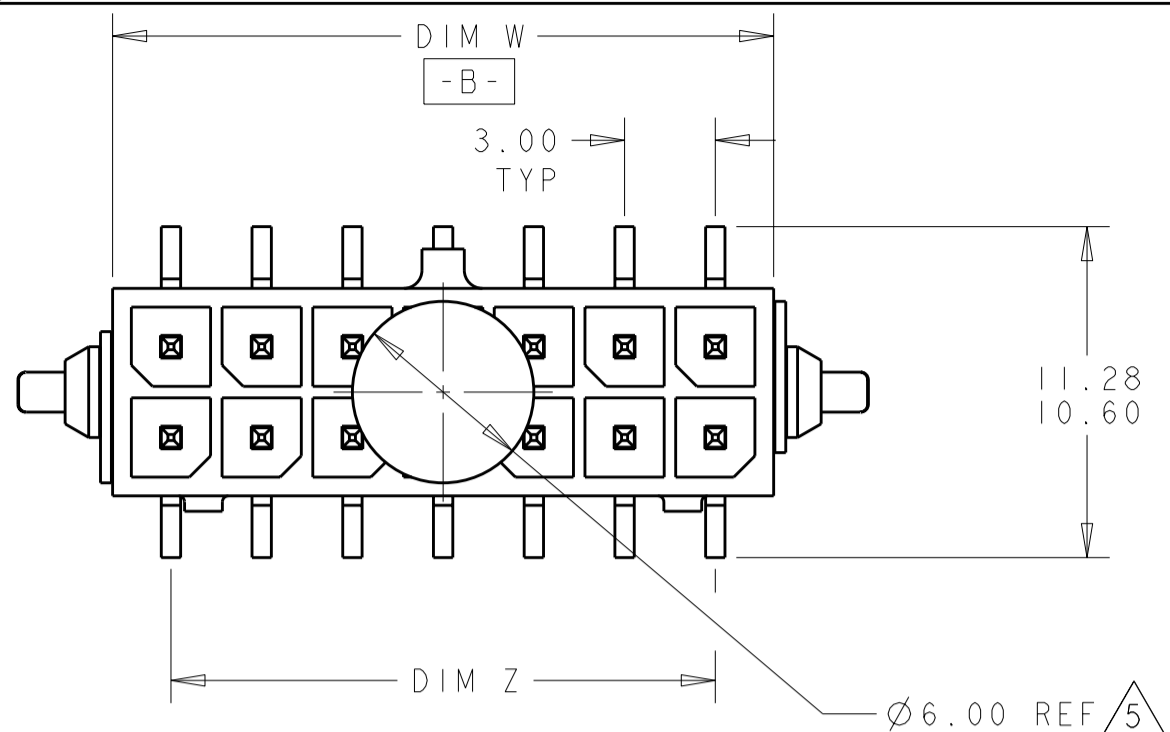


THIS DRAWING IS UNPUBLISHED. RELEASED FOR PUBLICATION 20
 © COPYRIGHT 20 BY - ALL RIGHTS RESERVED.



- 1 MATERIAL;
CONTACTS - BRASS.
HOUSING - UL 94V-0 RATED HIGH TEMP NYLON, COLOR; BLACK.
HOLDDOWNS - PHOSPHOR BRONZE.
- 2 PLATING;
CONTACTS - 0.38µm MINIMUM GOLD OVER 2.54µm MINIMUM NICKEL ON MATING AREA. 2.54µm TIN-LEAD MINIMUM OVER 2.54µm NICKEL MINIMUM ON SOLDER TAILS.
HOLDDOWNS - 2.54µm TIN LEAD.
- 4 RECOMMENDED PCB BOARD THICKNESS OF 1.57.
- 5 KAPTON VACUUM PICK UP BUTTON.
- 6 DIMENSION APPLIES TO SOLDER TAIL SURFACES AND STANDOFF SURFACES.
- 7 ALL SOLDER TAILS AND HOLDDOWNS.
- 8 PLATING;
CONTACTS - 0.38µm MINIMUM GOLD OVER 2.54µm MINIMUM NICKEL ON MATING AREA. 2.54µm MATTE TIN MINIMUM OVER 2.54µm NICKEL MINIMUM ON SOLDER TAILS.
HOLDDOWNS - 2.54µm MATTE TIN.

LOC	DIST	REVISIONS				
P	LTR	DESCRIPTION	DATE	DWN	APVD	
CM	00	HI	REVISED PER ECO-11-005027	16MAR2011	RK	HMR

FINISH	DIM V	DIM W	DIM Y	DIM Z	DIM X	NO. OF POSN.	PART NUMBER
8	43.04	36.86	40.27	33.00	40.00	24	5-794637-4
8	40.04	33.86	37.27	30.00	37.00	22	5-794637-2
8	37.04	30.86	34.27	27.00	34.00	20	5-794637-0
8	34.04	27.86	31.27	24.00	31.00	18	4-794637-8
8	31.04	24.86	28.27	21.00	28.00	16	4-794637-6
8	28.04	21.86	25.27	18.00	25.00	14	4-794637-4
8	25.04	18.86	22.27	15.00	22.00	12	4-794637-2
8	22.04	15.86	19.27	12.00	19.00	10	4-794637-0
8	19.04	12.86	16.27	9.00	16.00	8	3-794637-8
8	16.04	9.86	13.27	6.00	13.00	6	3-794637-6
8	13.04	6.86	10.27	3.00	10.00	4	3-794637-4
8	10.04	3.86	7.27	-	7.00	2	3-794637-2
2	43.04	36.86	40.27	33.00	40.00	24	2-794637-4
2	40.04	33.86	37.27	30.00	37.00	22	2-794637-2
2	37.04	30.86	34.27	27.00	34.00	20	2-794637-0
2	34.04	27.86	31.27	24.00	31.00	18	1-794637-8
2	31.04	24.86	28.27	21.00	28.00	16	1-794637-6
2	28.04	21.86	25.27	18.00	25.00	14	1-794637-4
2	25.04	18.86	22.27	15.00	22.00	12	1-794637-2
2	22.04	15.86	19.27	12.00	19.00	10	1-794637-0
2	19.04	12.86	16.27	9.00	16.00	8	794637-8
2	16.04	9.86	13.27	6.00	13.00	6	794637-6
2	13.04	6.86	10.27	3.00	10.00	4	794637-4
2	10.04	3.86	7.27	-	7.00	2	794637-2

METRIC

THIS DRAWING IS A CONTROLLED DOCUMENT.

DWN: K. WHITAKER 19-MAR-2003
 CHK: C. JONES 19-MAR-2003
 APVD: C. JONES 19-MAR-2003

TE Connectivity

NAME: SURFACE MOUNT, VERTICAL, MECHANICAL HOLDDOWN, ASSEMBLY, 15 GOLD HEADER DUAL ROW, MICRO MATE-N-LOK™

SIZE: A2 CAGE CODE: A20779 DRAWING NO: 794637 RESTRICTED TO: -

SCALE: 4:1 SHEET: 1 OF 1 REV: HI

SEE TABLE