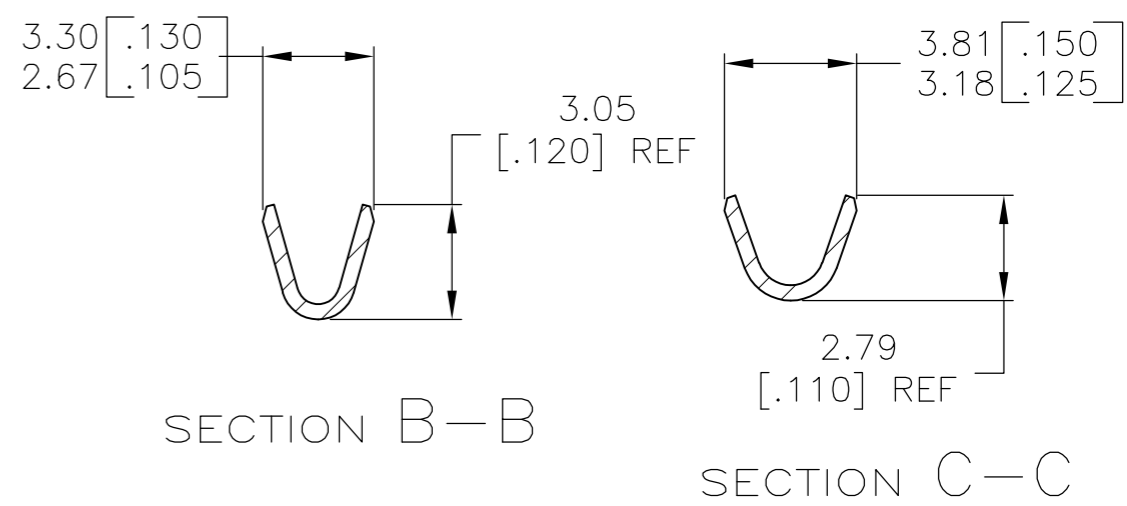
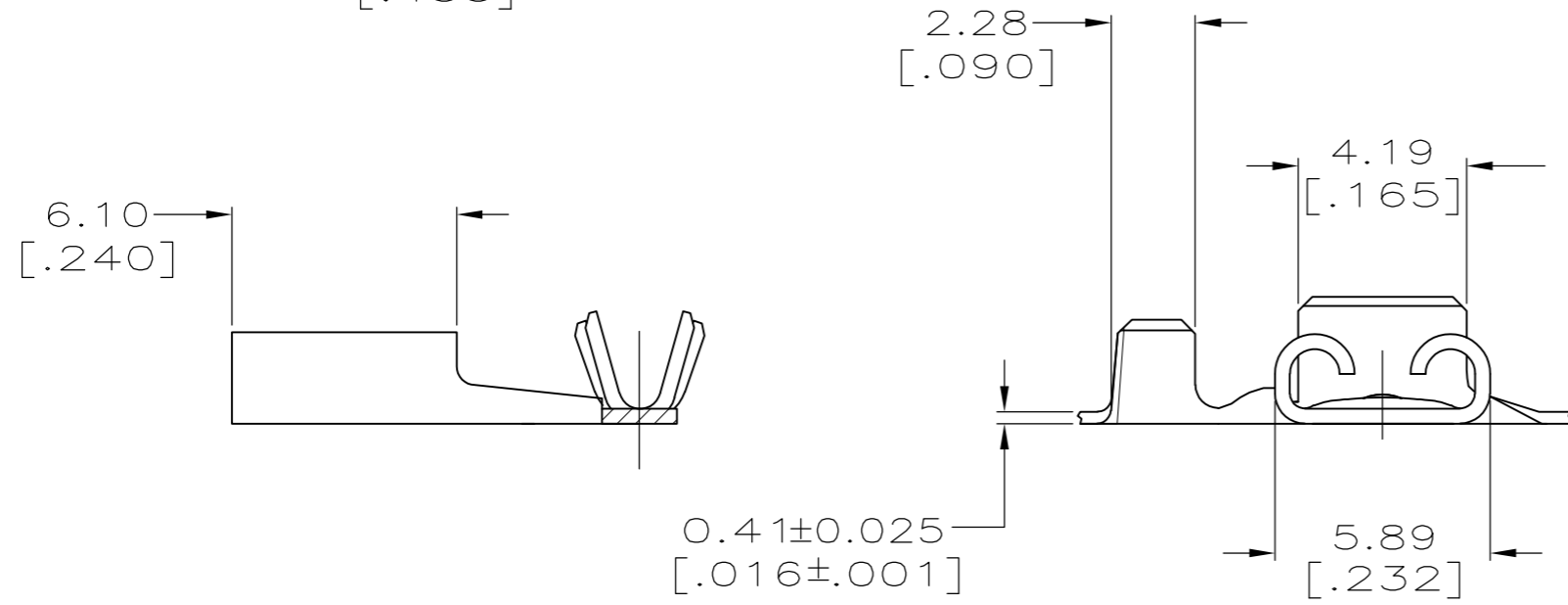
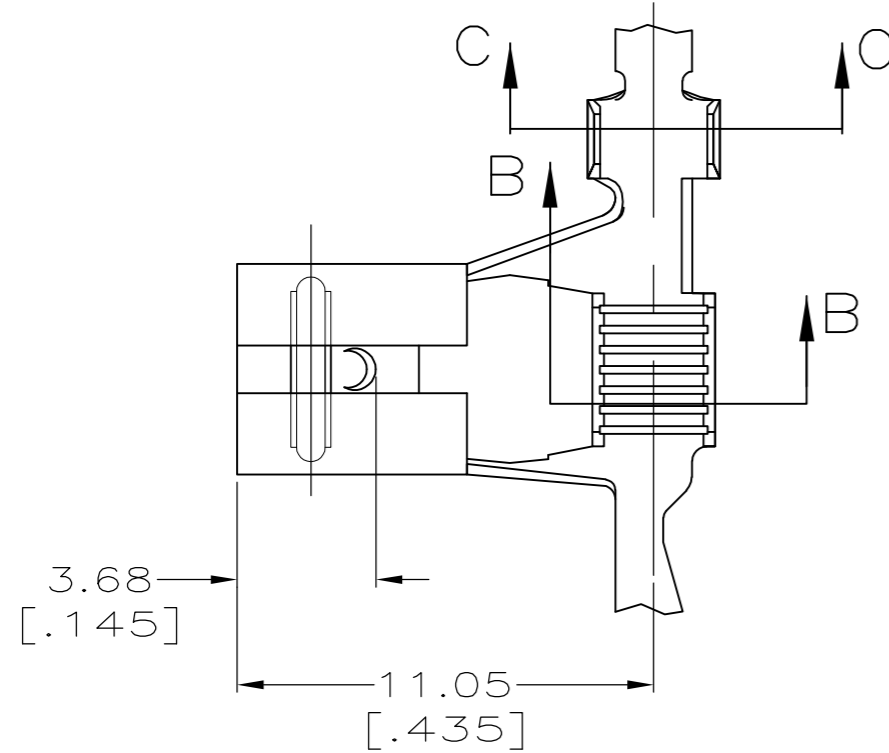


THIS DRAWING IS UNPUBLISHED. RELEASED FOR PUBLICATION
 © COPYRIGHT BY TYCO ELECTRONICS CORPORATION. ALL RIGHTS RESERVED.

LOC	DIST	REVISIONS			
P	LTR	DESCRIPTION	DATE	DWN	APVD
AF	50	A2	REVISED PER ECR-08-017316	11JUL08	HMR PD

- CONTINUOUS STRIP ON REELS.
- ACCEPTS MAGNET WIRE RANGES 20-16 AWG.
- INSULATION RANGE IS 1.27-2.29 [.050-.090] DIA.
- MATING TAB THK TO BE 0.81 ± 0.025 [.032 ± .001]



	T3 PHOS BRONZE	1742679-2
OBSOLETE	082 BRASS	1742679-1
	MATERIAL	PART NO.

THIS DRAWING IS A CONTROLLED DOCUMENT.		DWN JR RUTH 15FEB08	Tyco Electronics Corporation Harrisburg, Pa 17105-3608	
DIMENSIONS: mm [INCHES]		CHK MS FEHER 15FEB08		
TOLERANCES UNLESS OTHERWISE SPECIFIED:		APVD P DESANTIS 15FEB08	NAME RECEPTACLE, FASTON, FLAG, AMPLIVAR, 4.75 [.187] SERIES	
0 PLC ± - 1 PLC ± - 2 PLC ± 0.25 [.010] 3 PLC ± - 4 PLC ± - ANGLES ± -		PRODUCT SPEC -	RESTRICTED TO -	
MATERIAL SEE TABLE		FINISH TIN PLATE	APPLICATION SPEC -	SCALE 5:1
		WEIGHT -	SIZE A3	SHEET 1 OF 1
		CUSTOMER DRAWING	CAGE CODE 00779	REV A2
			DRAWING NO 1742679	