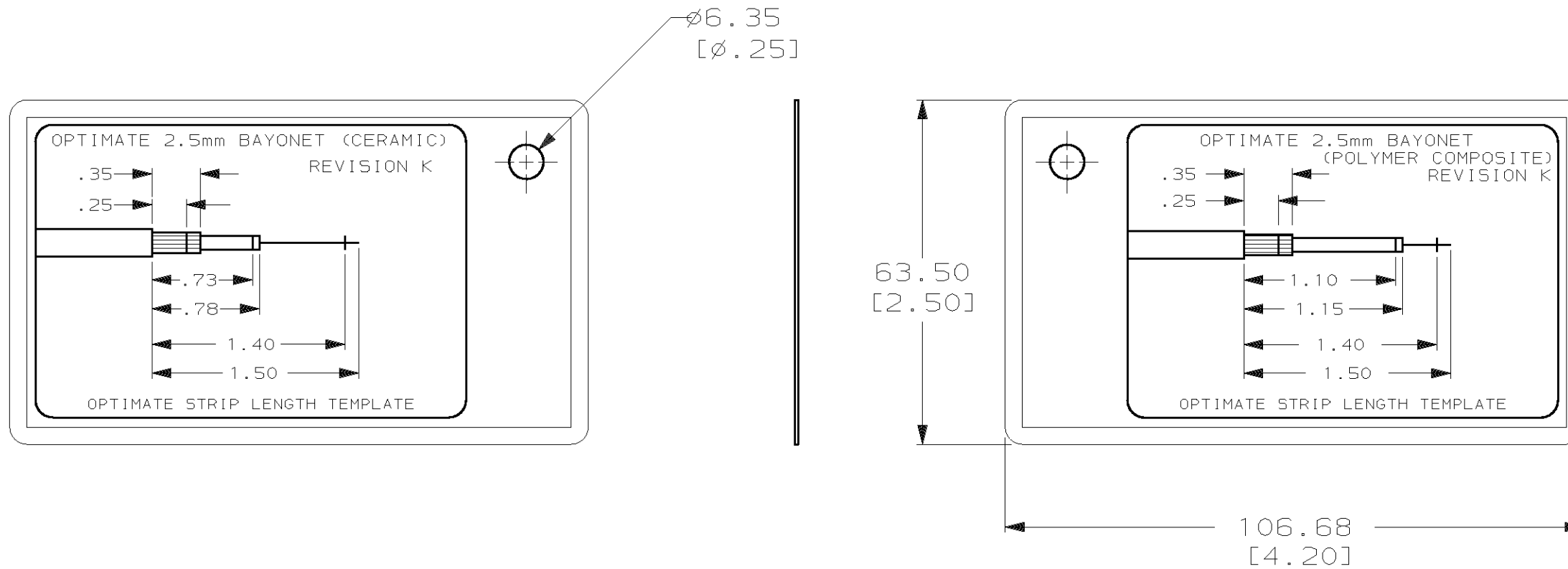


THIS DRAWING IS UNPUBLISHED. RELEASED FOR PUBLICATION, 19
 © COPYRIGHT 19 BY AMP INCORPORATED. ALL INTERNATIONAL RIGHTS RESERVED.

LOC	DIST	P	F	REVISIONS			
ZONE	LTR	DESCRIPTION	DATE	APPD			
CE	16			C	REV PER 0A00-0895-02	18NOV02	DE/SB



1. DIMENSIONS IN [] ARE IN INCHES.
2. STRIP LENGTH DIMENSIONS TO BE TO SCALE.

501814-1
PART NUMBER

PART NO

DO NOT SCALE PRINT. UNLESS SPECIFIED DIMENSIONS IN mm TOLERANCES ON: 2 PLC DEC ± .76 [.03] 3 PLC DEC ± - ANGLES ± -		DR 9-29-94 P. YEAGER	AMP INCORPORATED Harrisburg, Pa. 17105
MATERIAL	-	CHK 9-30-94 S. BUCHTER	
FINISH	-	APPD 9-30-94 S. BUCHTER	NAME CABLE PREPERATION TEMPLATE, 2.5mm BAYONET CERAMIC AND POLYMER COMPOSITE
		APPD 9-30-94 K. MONROE	
		PRODUCT SPEC	SIZE B FSCM NO 00779 DRAWING NO 501814
		APPLICATION SPEC	SCALE 1:1 SHEET 1 OF 1
		WEIGHT -	