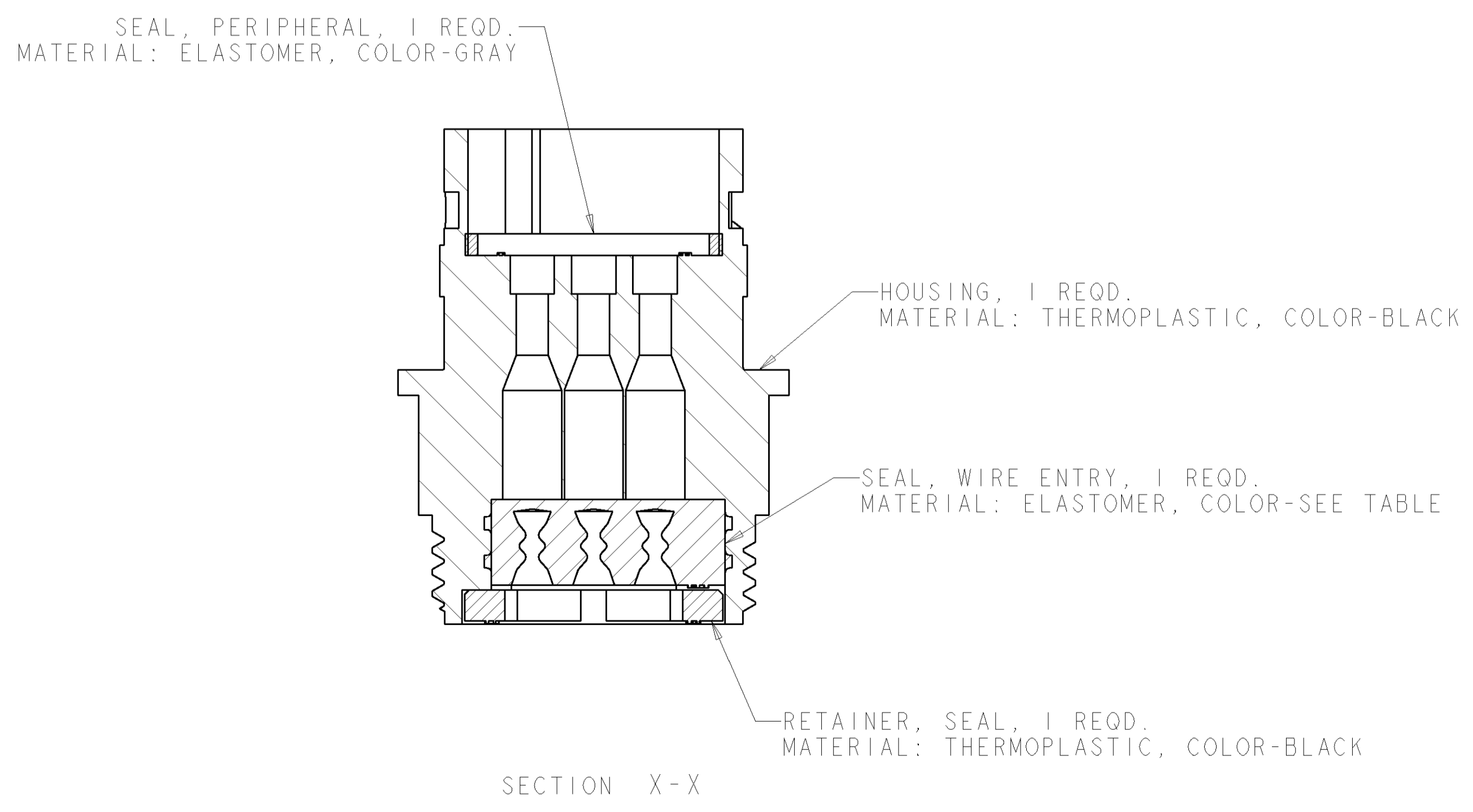
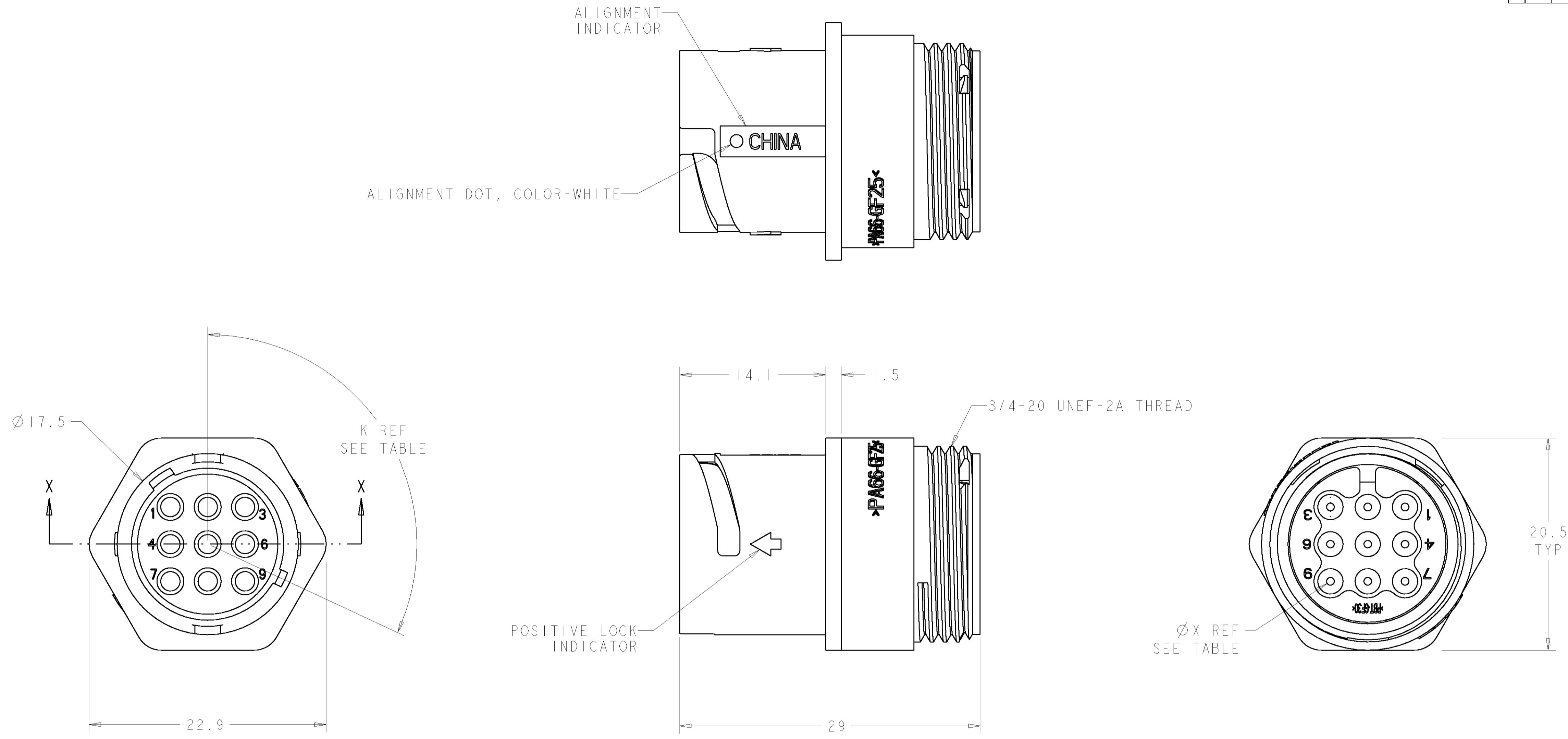


LOC		DIST		REVISIONS			
FT	0	P	LTR	DESCRIPTION	DATE	DWN	APVD
		A		REVISED EC 063B-0326-03	13JUN2003	SW	HW
		B		REVISED EC 063B-0390-04	25MAY2004	SW	HW



QUALIFICATION TEST PENDING

YELLOW	Ø0.75	135°	1445825-04
NATURAL	Ø1.5	115°	1445825-03
NATURAL	Ø1.5	135°	1445825-02
YELLOW	Ø0.75	115°	1445825-01
SEAL, WIRE ENTRY COLOR	ØX REF	K REF	PART NUMBER

<small>THIS DRAWING IS UNPUBLISHED. RELEASED FOR PUBLICATION BY TYCO ELECTRONICS CORPORATION. ALL RIGHTS RESERVED.</small>		DWN SHANE WIESE 22OCT2001 ENR G DOUTY 22OCT2001	tyco Tyco Electronics Esconics Harrisburg, PA 17105-3608
DIMENSIONS: mm:	TOLERANCES UNLESS OTHERWISE SPECIFIED: 0 PLC ± 1 PLC ± 2 PLC ±0.13 3 PLC ± 4 PLC ± ANGLES ± FINISH -	APVD H WAKEEM 13JUN2003 PRODUCT SPEC APPLICATION SPEC	NAME ASSEMBLY, SIZE 11, 9 POSITION, FREE HANGING, SEALED, MINI CPC SIZE CAGE CODE DRAWING NO RESTRICTED TO A 00779 C=1445825 -
MATERIAL SEE CALLOUT		WEIGHT -	CUSTOMER DRAWING SCALE 4:1 SHEET 1 OF 1 REV B