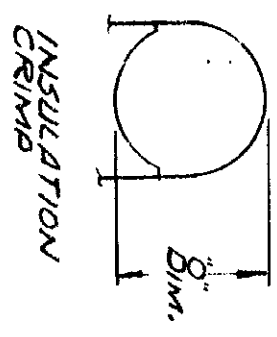
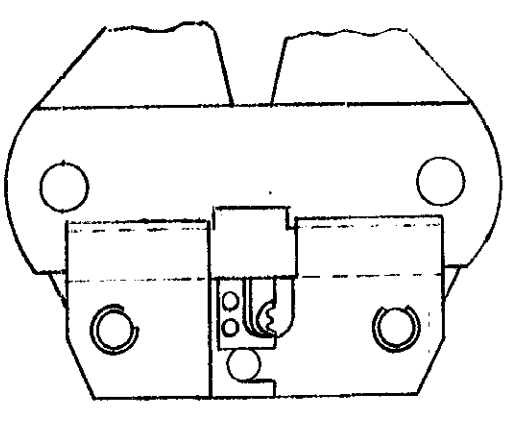
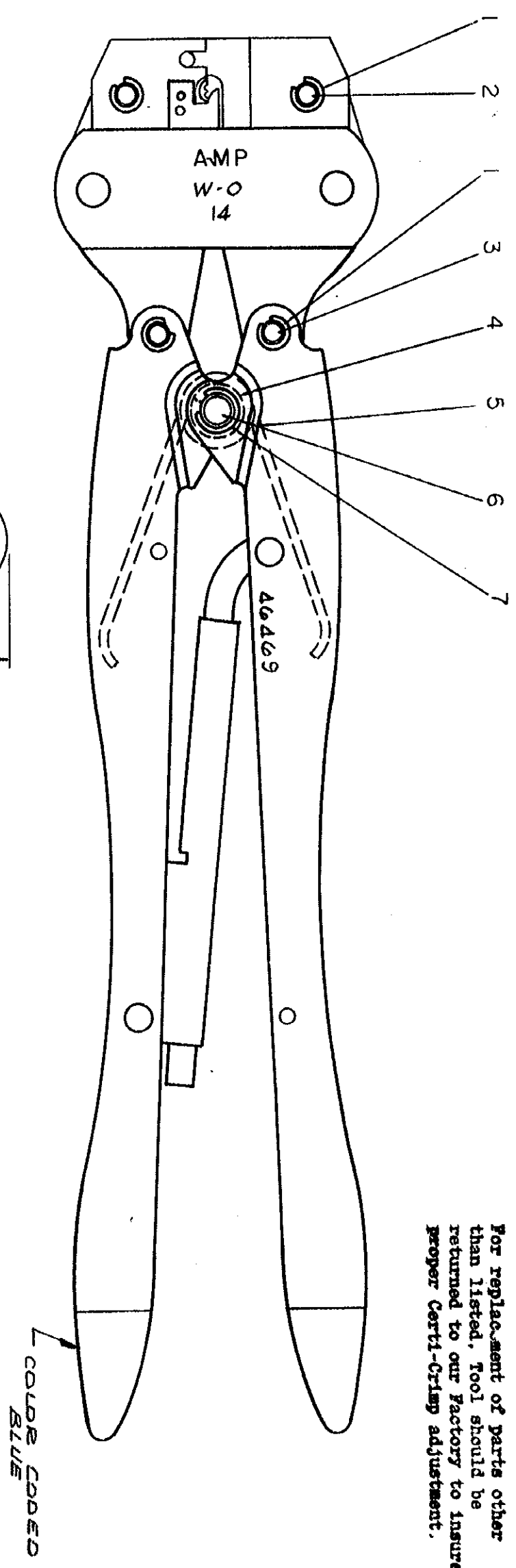


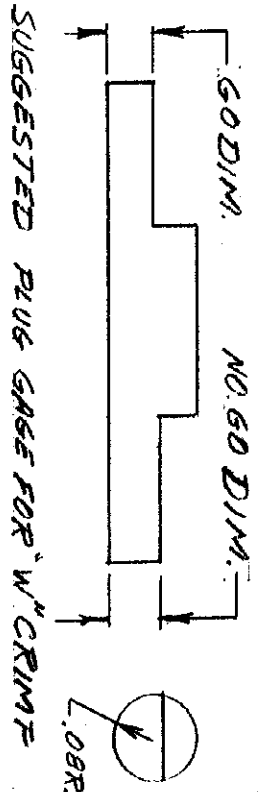
Plug Gage dimensions apply when tool is bottomed but not under pressure.

For replacement of parts other than listed, tool should be returned to our factory to insure proper Certi-Crimp adjustment.



DIM.	GO	NO GO
"O"	.194	.202
"W"	.0595	.0655

ITEM NO	QTY	DESCRIPTION	NUMBER	SIZE	NAME	REMARKS
2	A	RING - RETAINING	21045-6			
1	A	PIN - RETAINING	300449			
1	A	SPRING	39364			
1	A	COLLAR	39366			
2	A	PIN - RETAINING	300432			
2	A	PIN - RETAINING	304191			
6	A	RING - RETAINING	21045-3			



REVISED	BY	DATE	CHK	DATE
G	RX	11-2-61		
F	AW	10-2-61		
E	RV	10-2-61		
D	AW	7-2-61		

DESCRIPTION	NUMBER
	46469

DR	AW	11-2-61
CHK	AW	11-7-61
APP	AW	11-7-61

WIRE RANGE - INSULATION
 TOLERANCE EXCEPT AS NOTED = ± .015
 SCALE
 LOC M
 NO B
 46469
 CLASS
 W-0
 SPEED JUSTIFIED
 AMP INCORPORATED
 HARRISBURG, PENNA.
 CUSTOMER COPY
 REFERENCE ONLY
 HAND TOOL ASSEMBLY