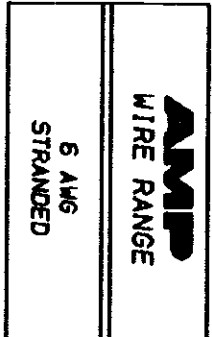
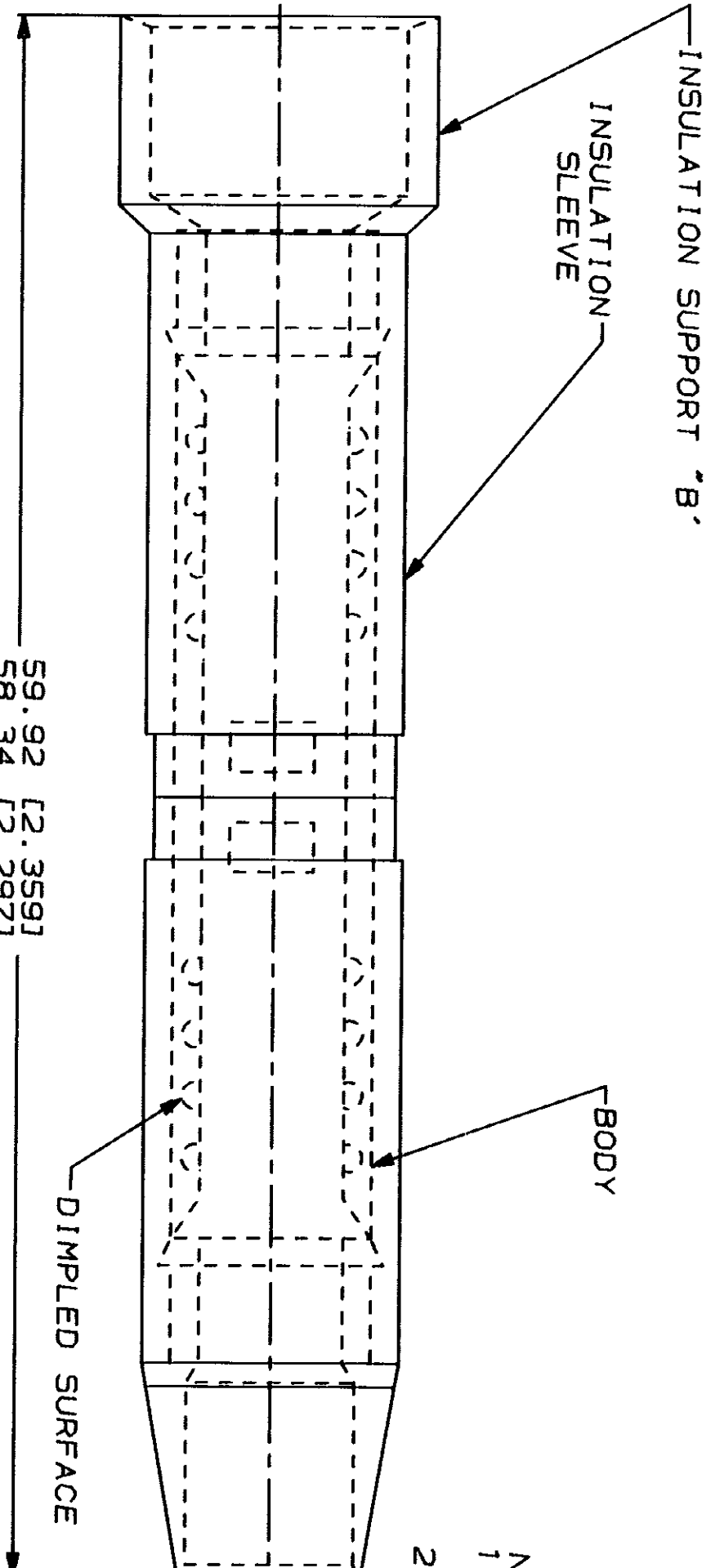


LOC	DIST	P	F	ZONE	LTR	DESCRIPTION	DATE	APPD
G	14			E		REVISED & REDRAWN PER 0720-0303-93	8-30-93	BB



METRIOS
 DIMENSIONS LISTED IN MM [INCHES]

- NOTE:
1. WIRE INSULATION DIA "A" 7.87 [.310] MAX
 2. WIRE INSULATION DIA "B" 10.54 [.415] MAX



AMP INCORPORATED
 CUSTOMER SERVICE SYSTEMS

FOR ADDITIONAL PRODUCT INFORMATION OR COPIES OF DRAWINGS AND TECHNICAL DOCUMENTS		PRODUCT INFORMATION CENTER 1-800-522-6752		MAX RECOMMENDED OPERATING TEMPERATURE: 105°C		DO NOT SCALE PRINT. UNLESS SPECIFIED		DR 8-30-93 S.S. SOULLEN		QTY 100		PACKAGE TYPE LOOSE PC		PART NO 324621	
FOR APPLICATION		TOOLING ASSISTANCE CENTER 1-800-722-1111		VOLTAGE RATING: 600 V MAX		TOLERANCES ON: 2 P/LC DEC # 0.20 (.008) 3 P/LC DEC # -		CHK 8-30-93 R. HESSEY		APPD 8-30-93 B. BARE		NAME		AMP	
TOOLING INFORMATION		1-800-526-5142		CIRCULAR MIL AREA: 10.54-16.77mm² (20,800-33,100)		MATERIAL COPPER PER ASTM B-152 NYLON, COLOR: BLUE		APPD 8-30-93 H. ELLIS		PRODUCT SPEC		SPLICE, BUTT, SINGLE TO MULTIPLE, TERMINYL, WIRE SIZE: 6 AWG		Harrisburg, PA 17105-3608	
FOR ORDER ENTRY		1-800-722-1111		STRANDED		FINISH: TIN PLATE PER MIL-T-10727		APPLICATION SPEC		SCALE		SIZE		CAGE CODE	
AMP 1470-15 REV 3-82		16:15:46		AMP10744		<UJ128A>DEPT1132>AMP10744>U. TERMINYL-SPLICE-CUST		WEIGHT		SCALE		00779		DRAWING NO G-324621	
AMP 1470-15 REV 3-82		16:15:46		AMP10744		<UJ128A>DEPT1132>AMP10744>U. TERMINYL-SPLICE-CUST		WEIGHT		SCALE		00779		DRAWING NO G-324621	

CUSTOMER DRAWING