



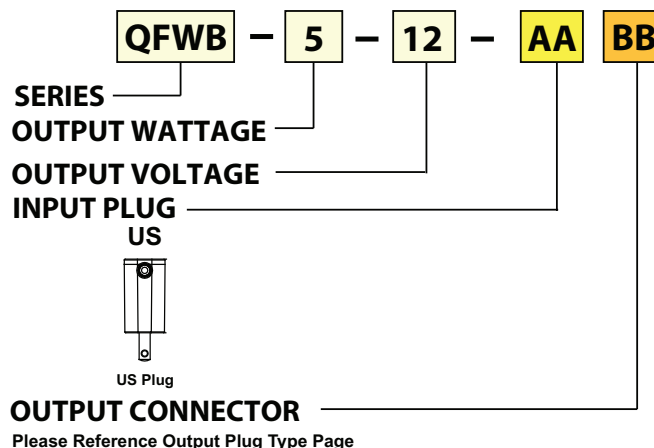
Features:

- Universal AC input/ Full Range
- Energy Efficiency Level VI
- Output Protections: SCP/OCF
- No Load Power Consumption <0.1W
- 1 Year Warranty

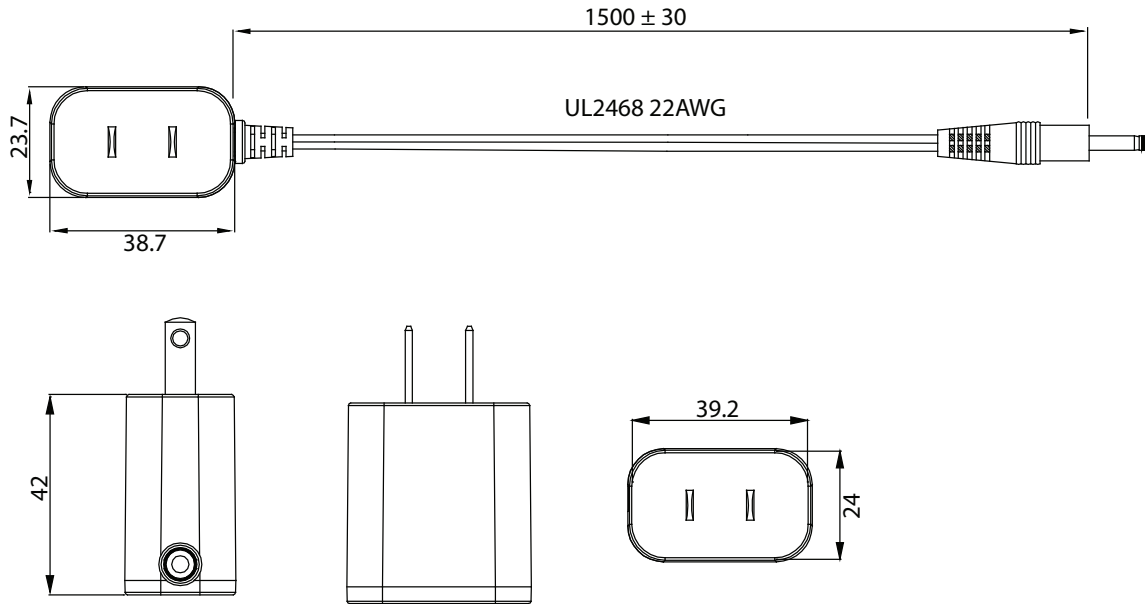


Model	QFWB-5-5	QFWB-5-5.9	QFWB-5-7	QFWB-5-8	QFWB-5-9	QFWB-5-10	QFWB-5-12	QFWB-5-15	QFWB-5-18	QFWB-5-24
Output Characteristics										
DC Output	5V	5.9V	7V	8V	9V	10V	12V	15V	18V	24V
Rated Current	1.2A	1.0A	0.85A	0.75A	0.66A	0.60A	0.50A	0.40A	0.33A	0.25A
Ripple and Noise	200mV Max									
Load Regulation (Typ.)	±5%									
Turn On Delay	3S Max									
Hold-up Time (Typ.)	10mS @ Rated Load 115VAC, 20mS @ Rated Load 230VAC									
Output Protection	Short Circuit, Over Current									
Ferrite Core	No									
Input Characteristics										
Voltage Range	100VAC~240VAC									
Frequency Range	50Hz-60Hz									
Efficiency	DoE Level VI, Energy Star									
AC Current (max)	0.25A									
Input Protection	Internal Primary Current Fuse, Inrush Limiting									
Leakage Current	0.25mA @ 264VAC/50Hz									
Environmental Characteristics										
Operating Temperature	0°C~40°C									
Operating Relative Humidity	10% RH to 80% RH									
Storage Temperature	-20°C~80°C, 5% RH to 95% RH									
Topology	Switching Flyback									
Dielectric Withstand	3000VAC/10mA Primary-Secondary									
EMI Conduction & Radiation	Compliance to EN55022 Class B, FCC Part 15 Class B									
Harmonic Current	Compliance to EN61000-3-2, 3									
EMS Immunity	Compliance to IEC61000-4-2, 3, 4, 5, 6, 8, 11									
Characteristics										
MTBF	50,000Hrs (25°C, Telecordia SR-332)									
Dimension (LxWxH)	42x23.7x42mm									
Weight	55g									

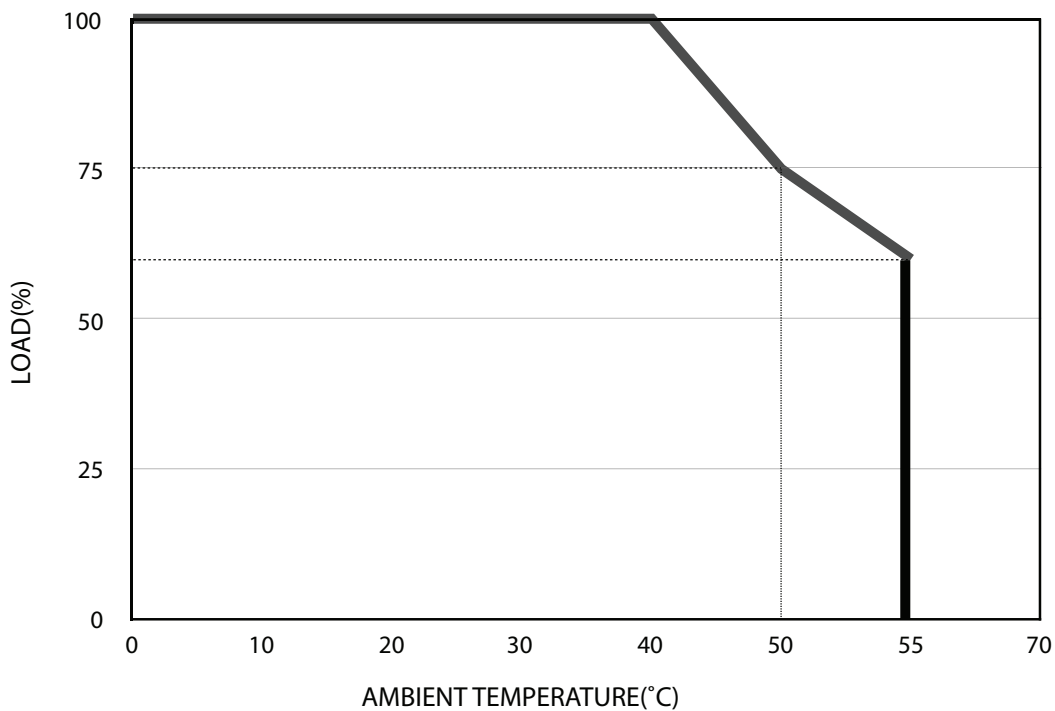
PART NUMBER SYSTEM



MECHANICAL SPECIFICATIONS



DERATING CURVE



UNIT: mm