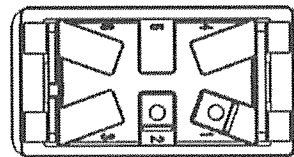
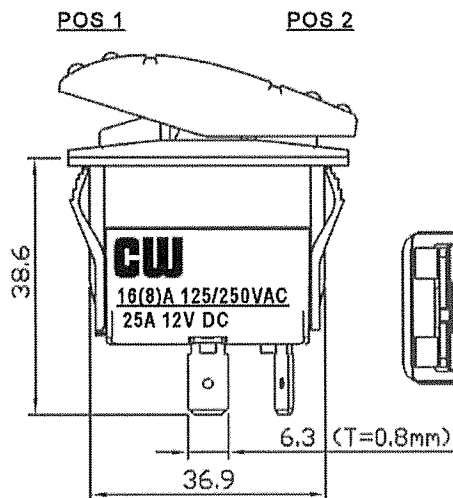
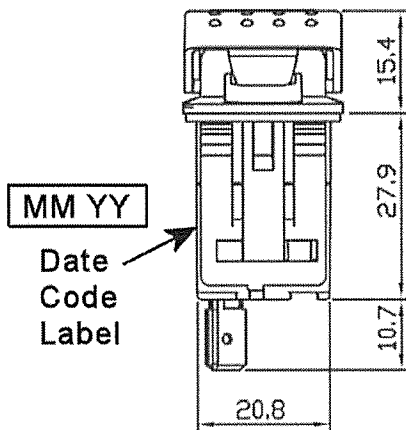
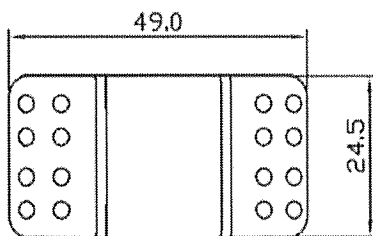


SPECIFICATIONS:

Rating: 16(8)A 125/250VAC
 25A 12V DC
 Function: ON - OFF SPST
 Pos 1 Pos 2

Contact Resistance: 20mΩ max. (initial)
 Insulation Resistance: 100mΩ min. (at 500V DC)
 Dielectric Strength: 1,500V AC 50/60 Hz for 1 minute
 Operating Temp. : -40° C to 85° C
 Service Life: Mechanically: 100,000 operations min.
 Electrically: 30,000 operations min.

Water Proof: IP 67
 Base Color: Gray
 Actuator Color: Black
 Insulation Materials: 94V-2 Thermoplastic
 Contact Materials: Copper Alloy



RoHS Compliant

X5 - 114ANN - NABB - 1NNW

CW INDUSTRIES
 Southampton, Pa. 18966
 Tel 215.355.7080/www.cwind.com

Date Drawn: 3-19-12

Rev. 2

Unit: mm

Checked By: *G. GULD*

2 Redrawn. Updated views adding panel cutout chart, function chart and order chart. IP 67 was IP68. DW 4/02/18.

Title:

ROCKER SWITCH

CW P/N:

GRB114A2NABA1