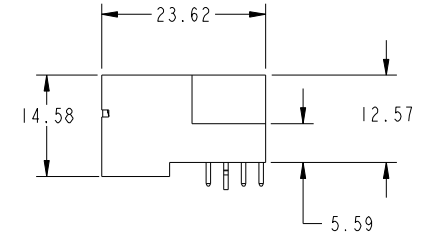
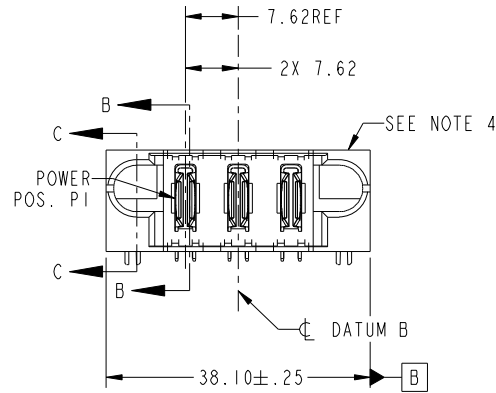


Tous droits strictement reserves. Reproduction ou communication a des tiers interdite sous quelque forme que ce soit sans autorisation écrite du propriétaire. Propriete de c FCI. Droits de reproduction FCI.

All rights strictly reserved. Reproduction or issue to third parties in any form whatever is not permitted without written authority from the proprietor. Property of FCI. Copyright FCI.



PRODUCT NO. 51939-059... NOTE: 3	POWER				
	E1	P1	P2	P3	E2



CODE	DIM "M" MATING LENGTH	CONTACT TYPE
PA	[N/A]	POWER
HA	[N/A]	HOLD-DOWN

mat'l code				SEE NOTE		tolerances unless otherwise specified		CUSTOMER		FCI www.fciconnect.com	
ltr	ecn no.	dr	date	linear	0.X ± 0.5	projection		COPY		title	
A	V03-0478	TAB	04/29/03		0.XX ± 0.25	MIM		3P		RIGHT ANGLE SOLDER HEADER	
B	DG05-0056	LH	03/29/05	angles	0.XXX ± 0.10	scale		product family		code	
C	DG06-0014	JMG	01/10/06	dr	0° ± 2°	1:1		PwrBlade		213	
D	DG07-0498	JW	09/10/08	enrg	T. BRUNGARD 04/29/03			size		sheet	
				chr	M. MOSTOLLER 04/29/03			dwg no		1 of 4	
				appd	M. MOSTOLLER 04/29/03			A		51939-059	
sheet index	revision sheet	D	D	D	D					cage code	
1	2	3	4							22526	

Pro/E

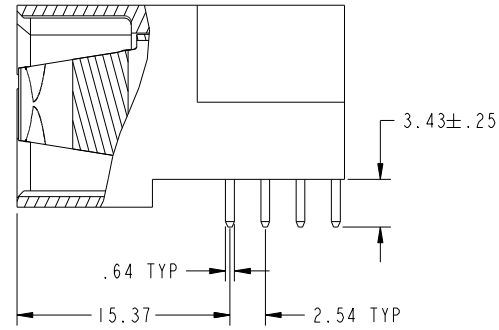
cage code 22526

Tous droits strictement reserves. Reproduction ou communication a des tiers interdite sous quelque forme que ce soit sans autorisation écrite du propriétaire. Propriete de c FCI. Droits de reproduction FCI.

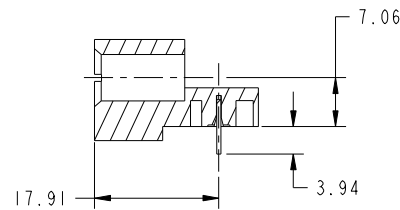


All rights strictly reserved. Reproduction or issue to third parties in any form whatever is not permitted without written authority from the proprietor. Property of FCI. Copyright FCI.

PRODUCT NUMBER  
51939-059--  
NOTE: 3



△ BROKEN-OUT SECTION B-B  
SCALE 2:1



SECTION NOTE				Tolerances unless otherwise specified		CUSTOMER		FCI	
ltr	ecn no.	dr	date	linear	0.X ± 0.5	COPY		www.fciconnect.com	
D					0.XX ± 0.25	projection		title	
				angles	0.XXX ± 0.10			3P RIGHT ANGLE SOLDER HEADER	
		dr	T. BRUNGARD	04/29/03				product family	PwrBlade
		enr	M. MOSTOLLER	04/29/03		size	dwg no	code	
		chr	M. MOSTOLLER	04/29/03	scale	A	51939-059	213	
		appd	M. MOSTOLLER	04/29/03	1:1			sheet	
sheet index	revision sheet							2	

cage code 22526

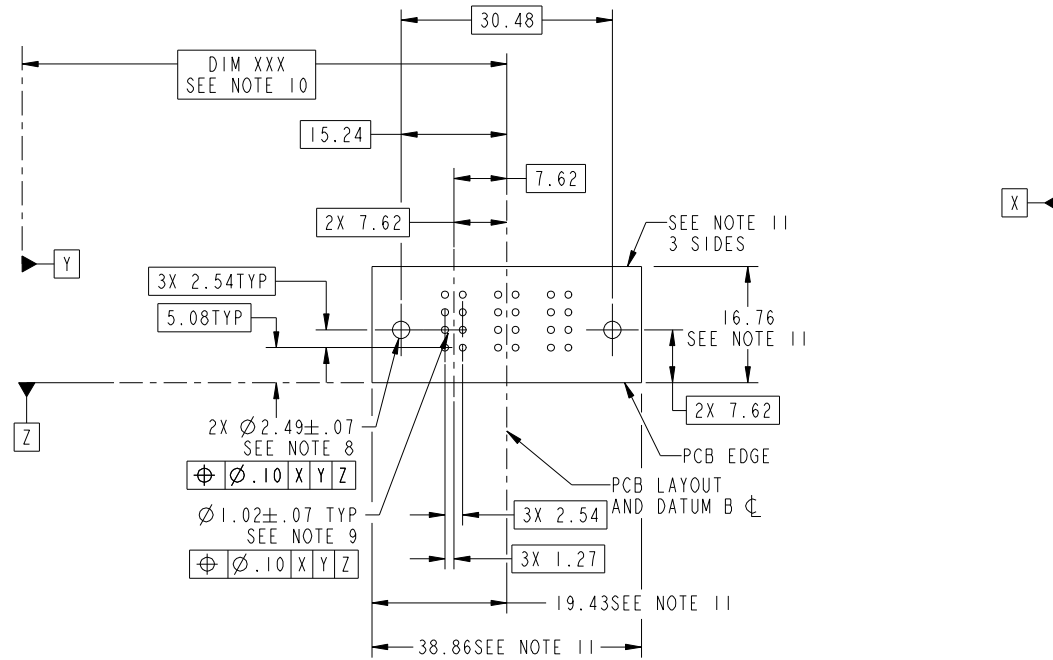
Pro/E

Tous droits strictement reserves. Reproduction ou communication a des tiers interdite sous quelque forme que ce soit sans autorisation écrite du propriétaire. Propriete de c FCI. Droits de reproduction FCI.



All rights strictly reserved. Reproduction or issue to third parties in any form whatever is not permitted without written authority from the proprietor. Property of FCI. Copyright FCI.

PRODUCT NUMBER  
51939-059\_-  
NOTE: 3



RECOMMENDED PCB LAYOUT

mat'l code		SEE NOTE		tolerances unless otherwise specified		CUSTOMER		www.fciconnect.com	
ltr	ecn no.	dr	date	linear	0.X ± 0.5	COPY		title	
D					0.XX ± 0.25	projection		3P	
				angles	0.XXX ± 0.10			RIGHT ANGLE SOLDER HEADER	
				dr	0° + 2°			product family PwrBlade code	
				enrg	T. BRUNGARD 04/29/03	scale		213	
				chr	M. MOSTOLLER 04/29/03	1:1		size	
				appd	M. MOSTOLLER 04/29/03	A		dwg no	
sheet	revision							51939-059	
index	sheet							sheet	
								3	

cage code 22526

Pro/E

Tous droits strictement reserves. Reproduction ou communication a des tiers interdite sous quelque forme que ce soit sans autorisation écrite du propriétaire. Propriete de c FCI. Droits de reproduction FCI.



All rights strictly reserved. Reproduction or issue to third parties in any form whatever is not permitted without written authority from the proprietor. Property of FCI. Copyright FCI.

PRODUCT NUMBER  
51939-059\_-  
NOTE: 3

NOTES:

1. DIMENSIONS AND TOLERANCES ARE IN ACCORDANCE WITH ASME Y14.5M, 1994 UNLESS OTHERWISE SPECIFIED.

CONNECTOR NOTES:

2. HOUSING MATERIAL: UL 94 V-0 GLASS FILLED

HIGH-TEMP THERMOPLASTIC  
POWER CONTACT MATERIAL: COPPER ALLOY  
SIGNAL PIN MATERIAL: COPPER ALLOY

3. PLATING

SEE ITEM 1 & 2 IN PRINT 10064183 FOR PLATING SPEC OF 51939-059; 51939-059LF PRESPECTIVELY.

4. MANUFACTURER'S NAME, P/N, AND DATE CODE TO APPEAR ON THIS SURFACE.

5. PRODUCT SPECIFICATION GS-12-149.  
APPLICATION SPECIFICATION BUS-20-067.

6. PACKAGED IN TRAYS.

PCB NOTES:

7. ALL HOLE DIAMETERS ARE FINISHED HOLE SIZE.

8. MOUNTING HOLES, WHERE APPLICABLE, ARE UNPLATED.

9.  $\varnothing 1.151 \pm 0.025$  DRILLED HOLES PLATED WITH

0.008 MIN SnPb OR Sn OVER 0.03  
TO 0.08 Cu PLATING TO ACHIEVE  
 $\varnothing 1.02 \pm .07$  HOLE.

10. "DIM XXX" TO BE DETERMINED BY THE CUSTOMER.

11. CONNECTOR KEEP-OUT ZONE.

12. A  $\Delta$ SYMBOL WILL BE NEXT TO ANY DIMENSION, VIEW, OR NOTE WHICH HAS BEEN MODIFIED WITH THE CURRENT DRAWING REVISION.

mat'l code				SEE NOTE		tolerances unless otherwise specified		CUSTOMER		www.fciconnect.com	
ltr	ecr no.	dr	date	linear	0.X ± 0.5		COPY			title	
D					0.XX ± 0.25		projection			3P	
					0.XXX ± 0.10					RIGHT ANGLE SOLDER HEADER	
				angles	0° + 2°				product family		
		dr	T. BRUNGARD	04/29/03			MIM		PwrBlade	code	
		enrg	M. MOSTOLLER	04/29/03					size	213	
		chr	M. MOSTOLLER	04/29/03			scale		dwg no	sheet	
		appd	M. MOSTOLLER	04/29/03			1:1		A	4	
sheet index		revision sheet									

cage code 22526

Pro/E