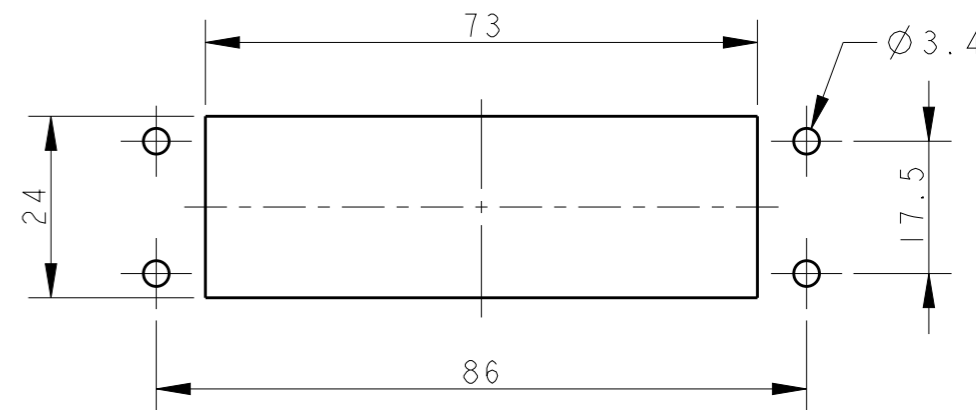
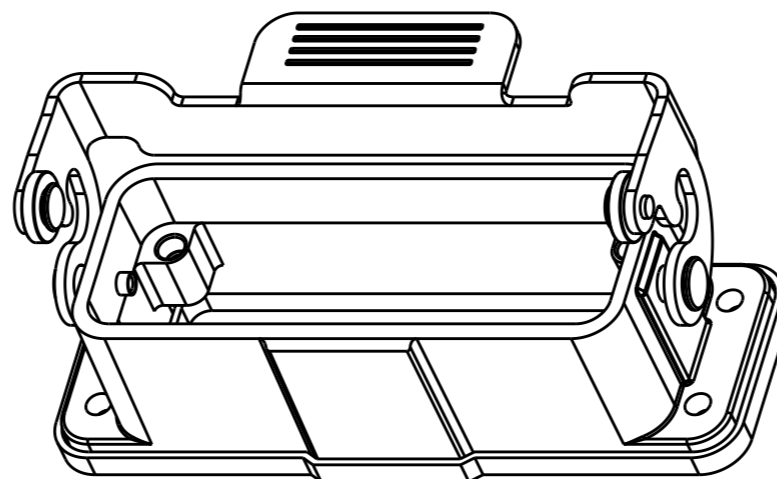
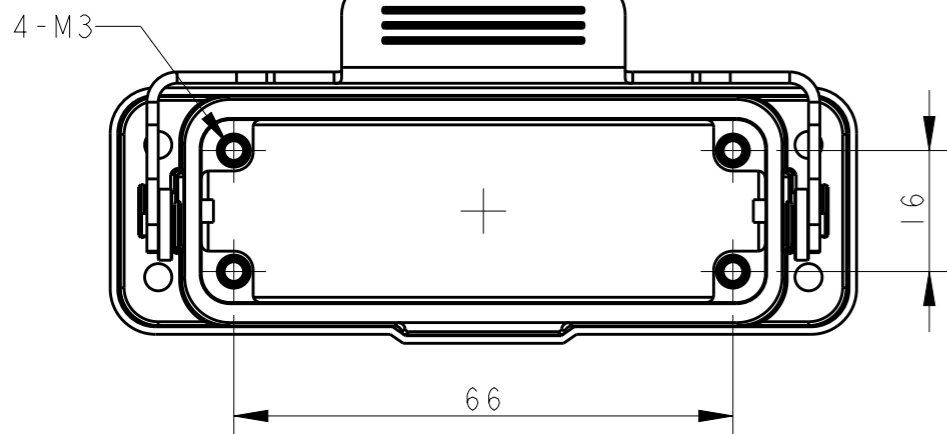
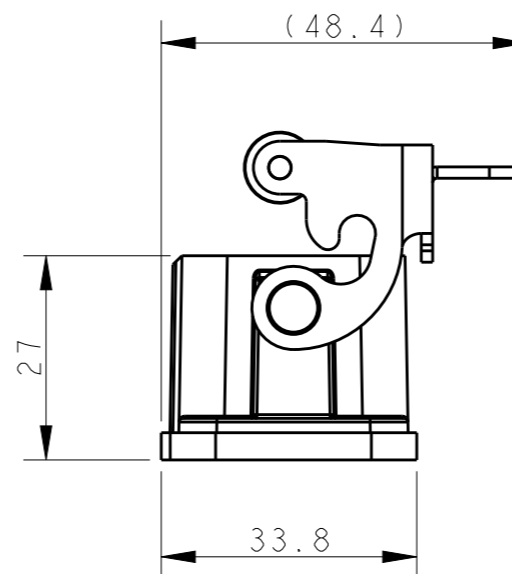
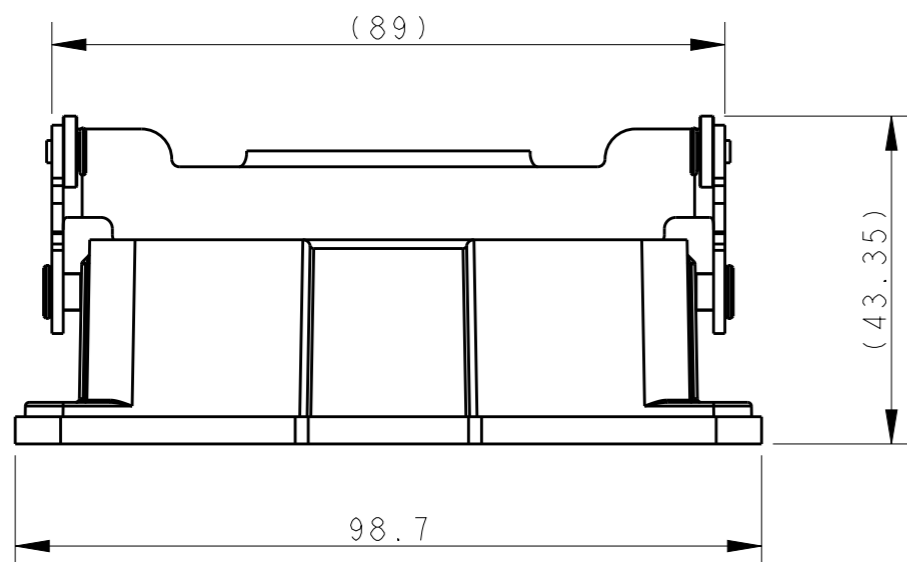


REVISIONS

P	LTR	DESCRIPTION	DATE	DWN	APVD
	A	INITIAL RELEASE	05MAY2015	DL	CW



PANNEL CUT OUT

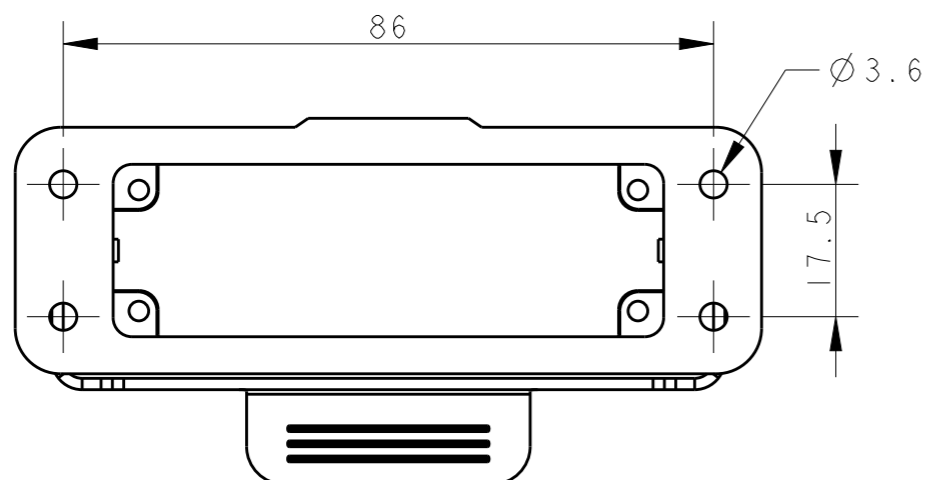


NOTES:

- 1. TECHNICAL CHARACTERISTICS:
 BODY MATERIAL: DIE CAST ALUMINIUM ALLOY
 SURFACE TREATMENT: POWDER-COATED, GRAY
 OPERATION TEMPERATURE: -40-+125°C
 DEGREE OF PROTECTION: IP65 (MATED)

注释:

- 1. 技术参数:
 主体材料: 铝合金
 表面处理: 粉末喷涂, 灰色
 工作温度: -40-+125°C
 防护等级: IP65(配合)



T1509161000-000	H16A-AGS
ASSEMBLY PART NUMBER	ASSEMBLY PART DESCRIPTION

THIS DRAWING IS A CONTROLLED DOCUMENT.		DWN 05MAY2015 DAVID LI	TE Connectivity	
DIMENSIONS: mm		CHK 05MAY2015 CHRIS WANG		
TOLERANCES UNLESS OTHERWISE SPECIFIED:		APVD 05MAY2015 XU XIANG	NAME H16A-AGS	
0 PLC ±-		PRODUCT SPEC 108-137010	SIZE	
1 PLC ±-		APPLICATION SPEC 114-137010	CAGE CODE	
2 PLC ±-		WEIGHT	DRAWING NO	
3 PLC ±-		CUSTOMER DRAWING	RESTRICTED TO	
4 PLC ±-			SCALE 1:1	
ANGLES ±-			SHEET 1 OF 1	
FINISH			REV A	
MATERIAL			©-T1509161000000	