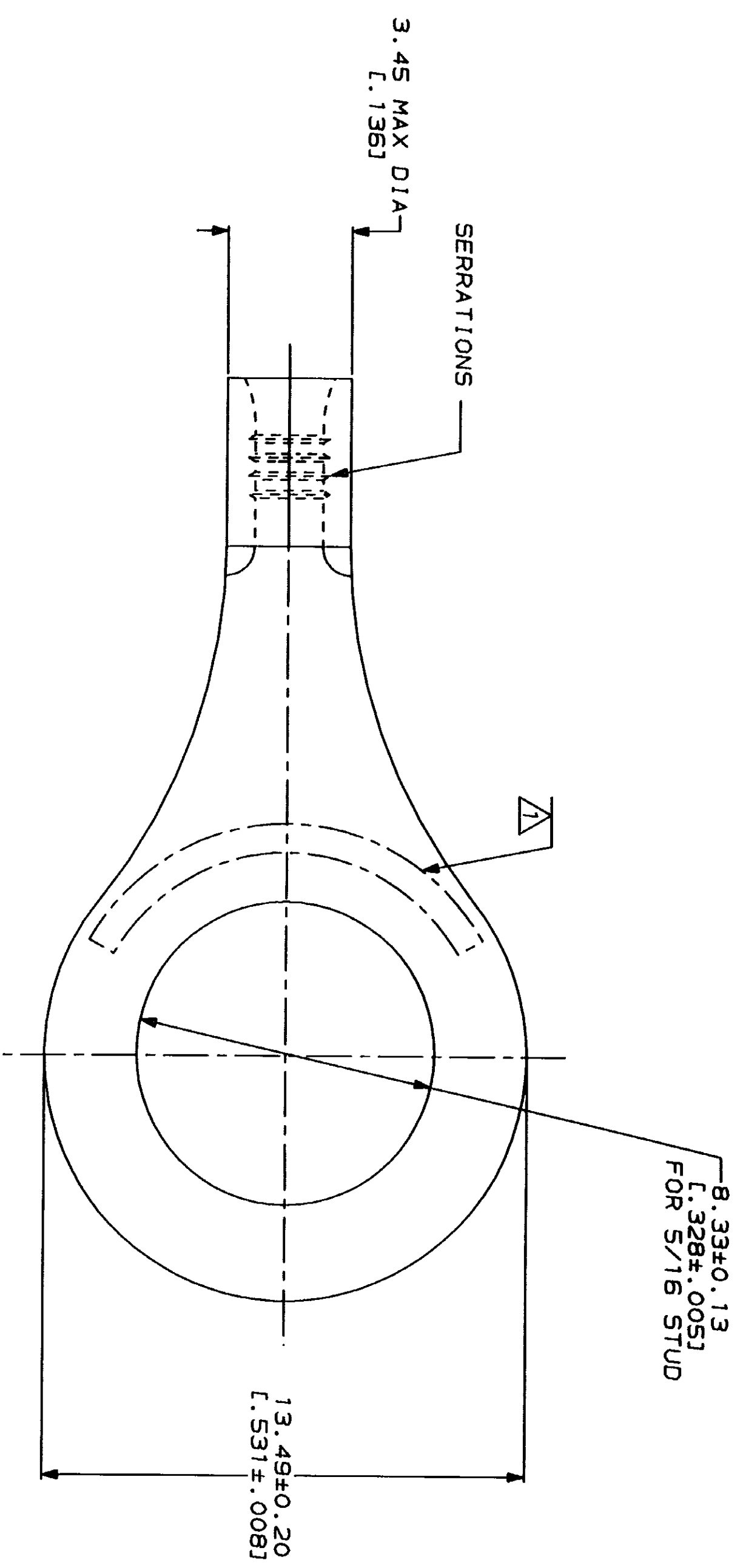
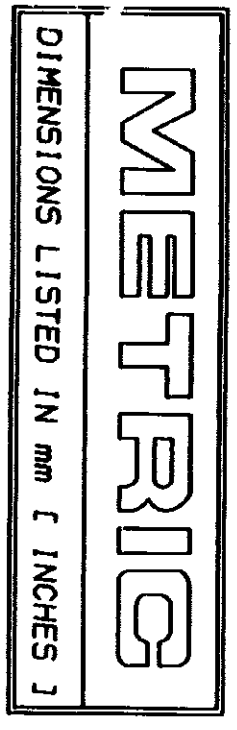
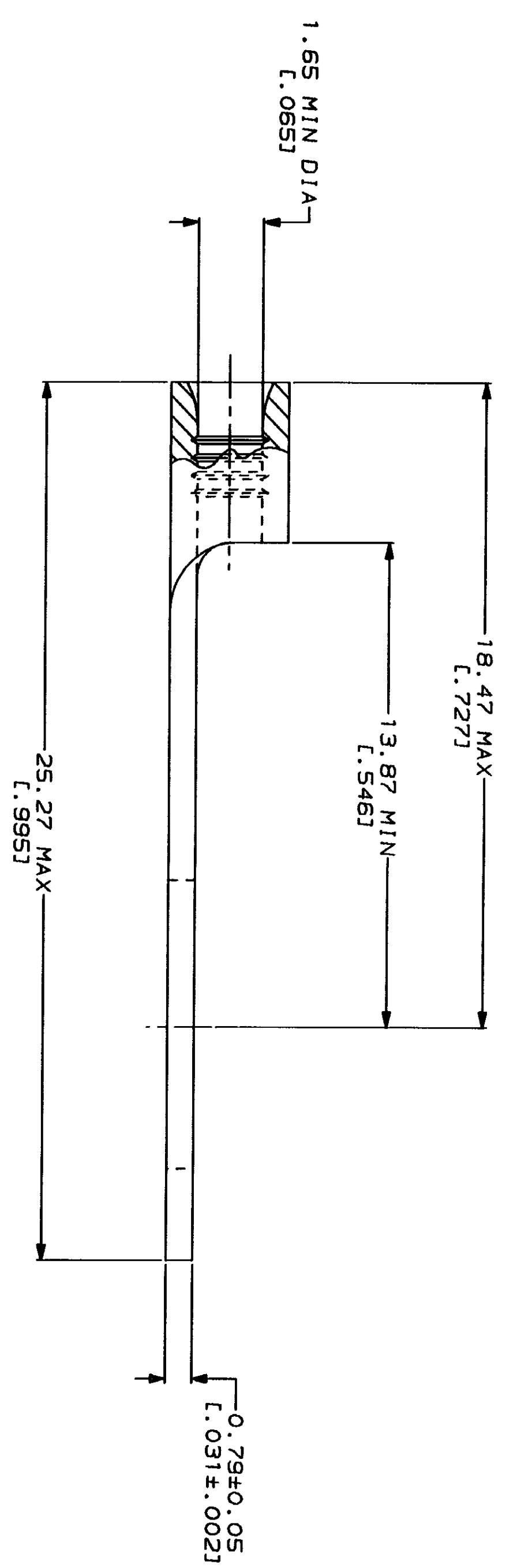


LOC	DIST	ZONE	LTR	REVISIONS	DESCRIPTION	DATE	APP'D
G	14			A	REVISED PER 0720-0230-93	2/28/94	DAF



AMP	WIRE RANGE	UL E13288 Listed
	22-16 AWG STRANDED	22-16 AWG STRANDED
		MILITARY P/N AND CLASS
		NOT APPLICABLE

STAMP AMP 22-18* APPROX AS SHOWN
 22-16 TERMINALS ARE STAMPED 22-18 IN
 ACCORDANCE WITH MILITARY SPECIFICATION
 MIL-T-7928, COMMERCIAL WIRE RANGE IS 22-16



AMP INCORPORATED
CUSTOMER SERVICE SYSTEMS

FOR ADDITIONAL PRODUCT INFORMATION OR COPIES OF DRAWINGS AND TECHNICAL DOCUMENTS
 1-800-522-6752

FOR APPLICATION TOOLING INFORMATION
 1-800-722-1111

FOR ORDER ENTRY
 1-800-526-5142

PRODUCT INFORMATION CENTER
 1-800-522-6752

TOOLING ASSISTANCE CENTER
 1-800-722-1111

MAX RECOMMENDED OPERATING TEMPERATURE: 170°C MAX

VOLTAGE RATING: NOT APPLICABLE

WIRE CROSS SECTIONAL AREA RANGE: 0.26-1.65mm² [509-3,260] CIR MILS STRANDED

DO NOT SCALE PRINT. UNLESS SPECIFIED DIMENSIONS IN mm - DIMENSIONS IN INCHES - TOLERANCES ON: 1. P.L.C. DEC ± .0025 [L.000100] MIN THK PER MIL-T-10727

FINISH: TIN PLATE

MATERIAL: COPPER PER ASTM B-152 ANNEALED

DR 2-4-93 TA BRINKMAN	APPD 2-4-93 DE MILLER	NAME	SIZE	CASE CODE	DRAWING NO
CHK 2-4-93 DA PATTERSON	APPD 2-4-93 JL MECKLEY	TERMINAL, RING TONGUE, BUDGET	G	00779	G-324124
	PRODUCT SPEC		SCALE	8:1	
	APPLICATION SPEC		WEIGHT		