

Panel mounting frames - VC-AR2/3M - 1852985

Please be informed that the data shown in this PDF Document is generated from our Online Catalog. Please find the complete data in the user's documentation. Our General Terms of Use for Downloads are valid (<http://download.phoenixcontact.com>)



Panel mounting frame, without PE, for contact insert modules, type 2, number of insert modules 3

Panel mounting frame, size VC-2

Why buy this product

- Compact design
- Universal connection
- Proven COMBICON technology
- Can be keyed to prevent incorrect connection



Key commercial data

Packing unit	1
Minimum order quantity	5
Catalog page	Page 455 (PC-2011)
GTIN	 4 017918 134341
Custom tariff number	85389099
Country of origin	POLAND

Technical data

General data

Note	2 x 1852862 VC-AF for each connector
Ambient temperature (operation)	-40 °C ... 125 °C
Design	VC2

Material data

Inflammability class according to UL 94	V0
---	----

Classifications

eclass

eCl@ss 4.0	27140816
------------	----------

Panel mounting frames - VC-AR2/3M - 1852985

Classifications

eclass

eCl@ss 4.1	27140816
eCl@ss 5.0	27371205
eCl@ss 5.1	27371205
eCl@ss 6.0	27371205
eCl@ss 7.0	27371205

etim

ETIM 2.0	EC000437
ETIM 3.0	EC000437
ETIM 4.0	EC000437
ETIM 5.0	EC000437

unspsc

UNSPSC 6.01	31261501
UNSPSC 7.0901	31261501
UNSPSC 11	31261501
UNSPSC 12.01	31261501
UNSPSC 13.2	31261501

Approvals

Approvals

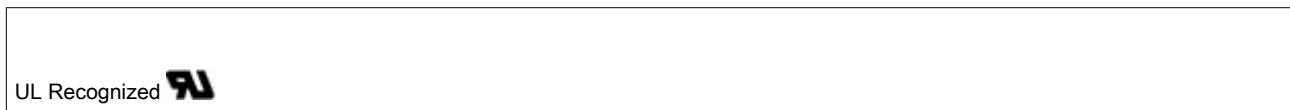
Approvals

UL Recognized / cUL Recognized / GOST / cULus Recognized

Ex Approvals

Approvals submitted

Approval details



Panel mounting frames - VC-AR2/3M - 1852985

Approvals



Accessories

Accessories

Assembly

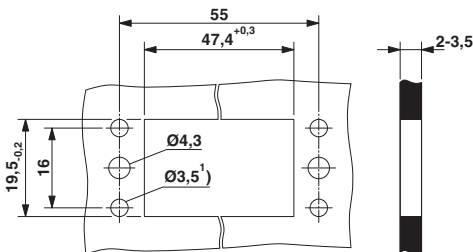
Mounting flange - VC-AF - 1852862



Panel mounting flange for screw locking, for mounting contact insert modules, for a panel thickness of 1 - 5 mm

Drawings

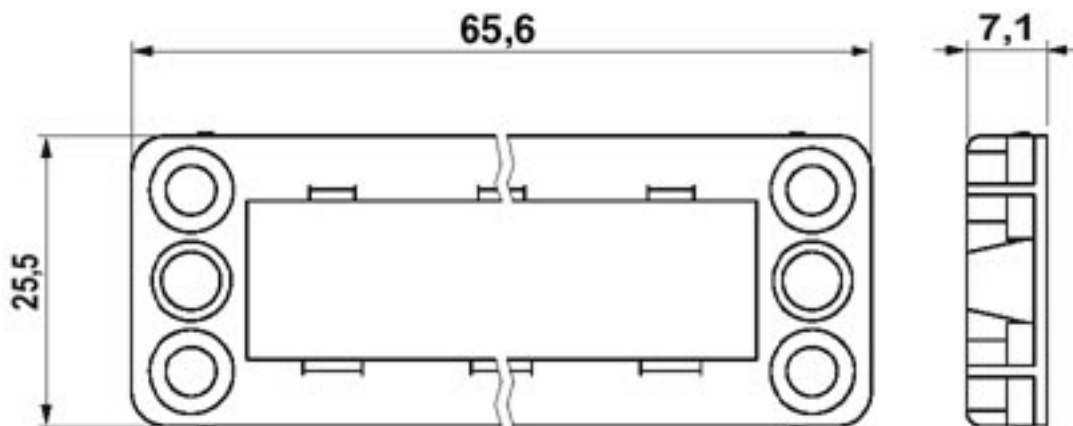
Dimensioned drawing



Housing cutout

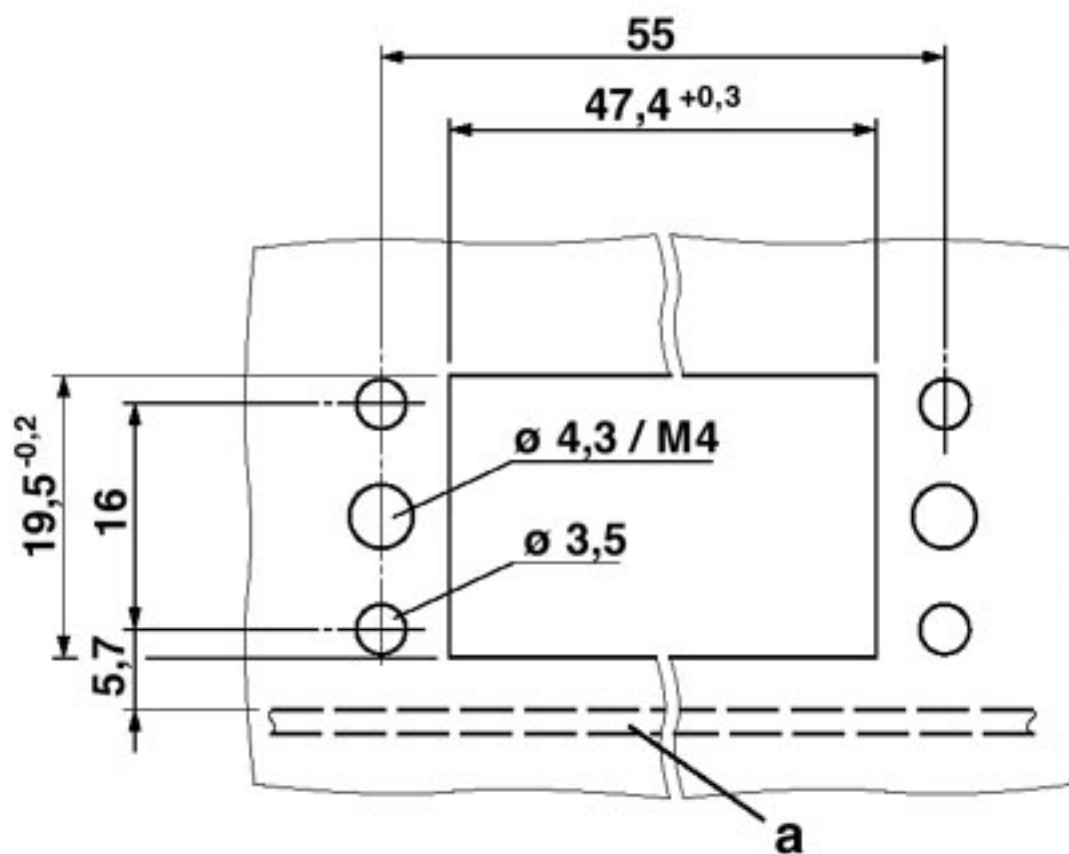
Panel mounting frames - VC-AR2/3M - 1852985

Dimensioned drawing



Panel mounting frame dimensional drawing

Dimensioned drawing



a - PCB