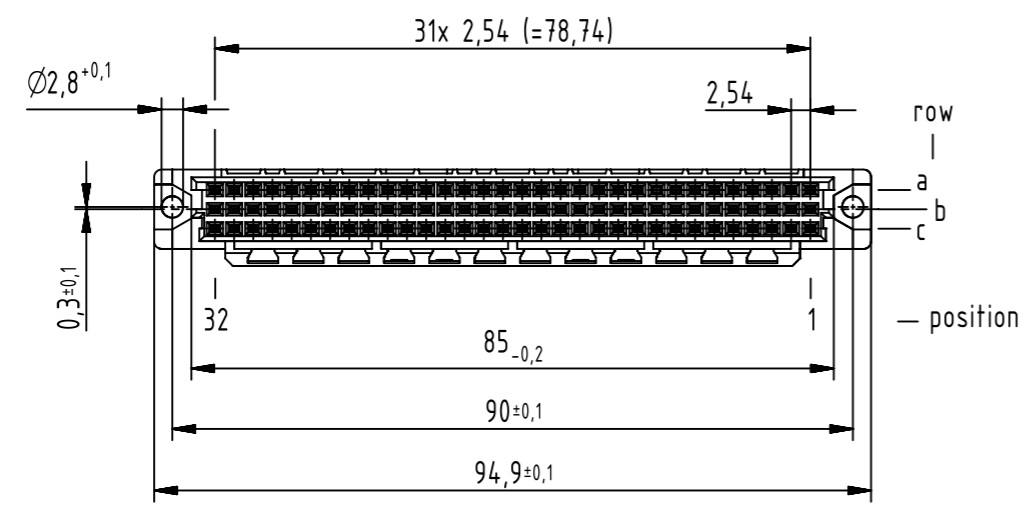
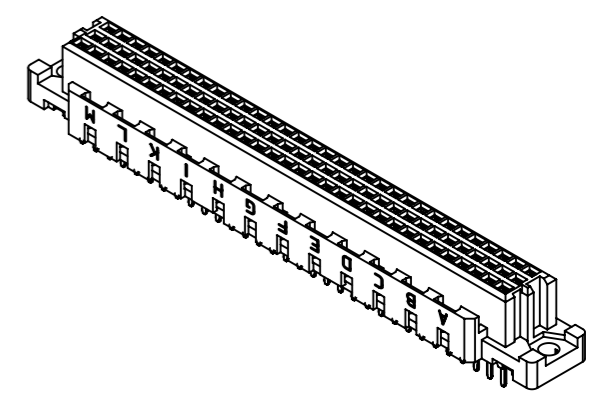
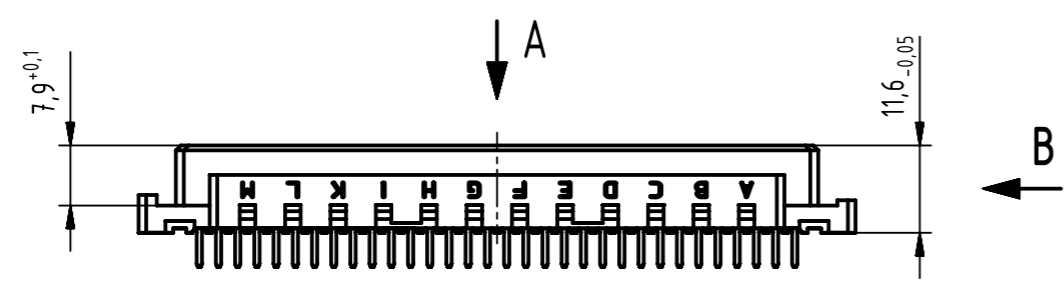


- 96 solder contacts
- ⊗ = solder contact
  - = kinked solder contact
  - = position without contact



09 03 796 6825	2
09 03 796 2825	1
part no.	performance level 1

1 further information see: DS 09032100001

	All Dimensions in mm Original Size DIN A3		Scale 1:1	Free size tol. IEC 60603-2		Ref. Sub. TB 09 03 796 x825 Mod. 36400 v. 08.07.11	
	All rights reserved Department EC PD - DE		Created by HAGEMEYERE	Inspected by TADJE	Standardisation HOFFMANN	Date 2013-11-11	State Final Release
HARTING Electronics GmbH D-32339 Espelkamp		Title DIN Signal type C female solder 4.5 with coding 96-pole				Doc-Key / ECM-Nr. 100173852/UGD/212/D 50000068354	
		Type TB	Number 0903796X825		Rev. D	Page 1/1	