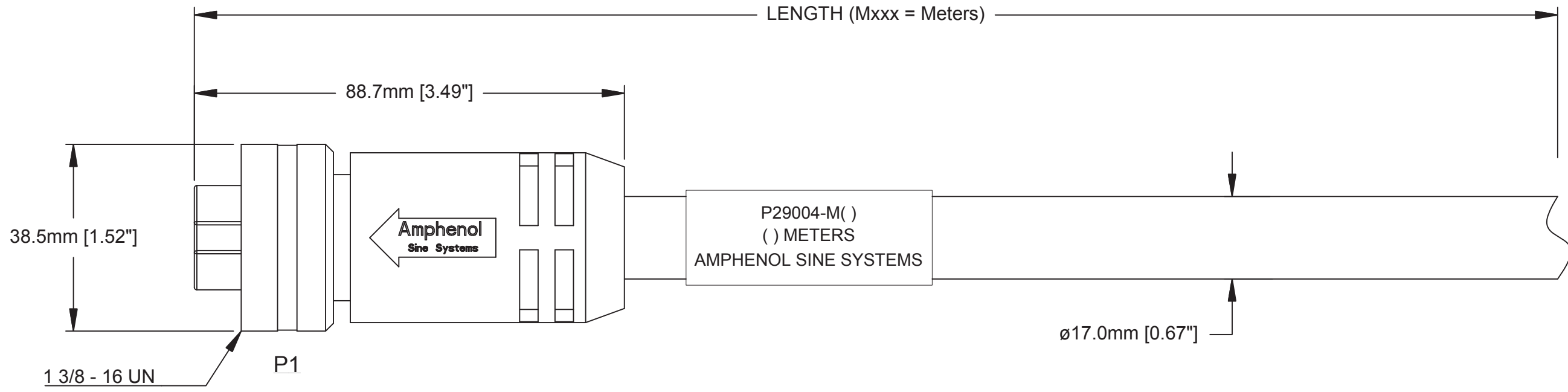
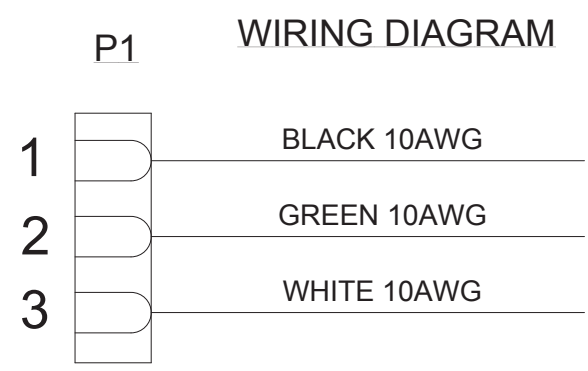
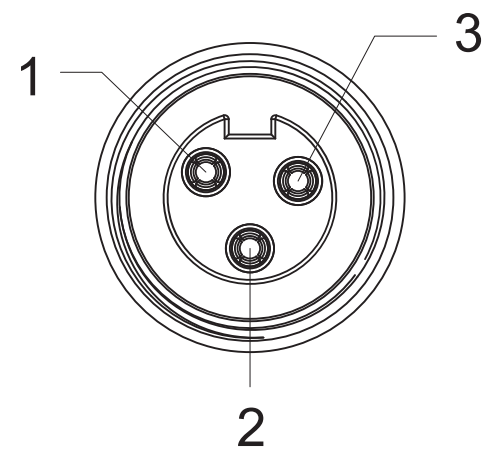


REVISIONS					
REV	ECO	DESCRIPTION	DATE	BY	APPR
A1	-	TECHNICAL DATA SHEET RELEASE	12-MAY-14	KMM	RFC



**TECHNICAL DATA:**

- MATERIALS:**  
 COUPLING NUT: MACHINED ALUMINUM, ANODIZED  
 INSULATION INSERT: THERMOPLASTIC, UL 94/V-0  
 CONTACT: GOLD FLASH PLATING OVER COPPER ALLOY  
 OVERMOLD MATERIAL: THERMOPLASTIC COLOR: BLACK  
 CABLE RATING: UL LISTED DUAL RATED TC-ER/STOOW, CSA TYPE STOOW, FT4 FLAME RATING, 600V, 90°C DRY & 75°C WET (TC-ER), 105°C (STOOW)  
 CABLE JACKET MATERIAL: PVC COLOR: BLACK  
 CONDUCTOR INSULATION: PVC  
 NUMBER OF CONDUCTORS: (3) 10AWG
- ELECTRICAL DATA:**  
 CURRENT (MAX): 30A  
 VOLTAGE (MAX): 600V AC/DC  
 INSULATION RESISTANCE (MIN): 5000M OHMS  
 DIELECTRIC TEST VOLTAGE: 2200V  
 SHORT CIRCUIT AMPERAGE RATING: 65kA - BREAKERS AND FUSES
- MECHANICAL DATA:**  
 TEMPERATURE RANGE: -40°C TO 90°C  
 PROTECTION: IP67 (MATED CONDITION)  
 MATING CYCLES: >500  
 VIBRATION RESISTANCE PER MIL-STD-202 METHOD 204  
 THERMAL SHOCK PER MIL-STD-202 METHOD 207  
 48 HOUR SALT SPRAY PER MIL-STD-202 METHOD 101
- RoHS COMPLIANT
- UL 2237 LISTED ASSEMBLY  
 UL FILE NUMBERS: E339703



Risk of Electrical Shock  
 Do Not Disconnect Under Load.  
 Risque de chocs électriques  
 Ne pas debrancher sous tension.

**WARNING**

TOLERANCE	
0-2.99 M = +100.0/-25.0mm	0-9.99 FT = +4" / -1"
3-8.99 M = +150.0/-25.0mm	10.00-29.99 FT = +6" / -1"
9-14.99 M = +300.0/-25.0mm	30.00-49.99 FT = +12" / -1"
15-OVER M = +450.0/-25.0mm	50 FT-OVER = +18" / -1"

QUANTITY	PART NUMBER	DESCRIPTION	ITEM
<b>MATERIALS LIST</b>			
UNLESS OTHERWISE SPECIFIED		SIGNATURES	
1) All dimensions are in metric(mm).		DATE	
2) Tolerances are as follows:		DRAWN: KMM 12-MAY-14	
1 PL DEC ±0.30		CHECKED: MRF 12-MAY-14	
2 PL DEC ±0.15		ENGINEER: KMM	
3 PL DEC ±0.08		APPROVAL: RFC 12-MAY-14	
3) Note reference =		CUSTOMER:	
MATERIAL SPECIFICATIONS:		THIS DRAWING IS SUPPLIED FOR INFORMATION ONLY. DESIGN FEATURES, SPECIFICATIONS AND PERFORMANCE DATA SHOWN HEREON ARE THE PROPERTY OF THE AMPHENOL CORPORATION. NO RIGHTS OF REPRODUCTION ARE IMPLIED. ALL DIMENSIONS ARE SUBJECT TO NORMAL MANUFACTURING VARIATIONS.	
PROCESS SPECIFICATIONS:		NEXT ASSY:	
SCALE: FULL		C-P29004	

**Amphenol**

Sine Systems - www.amphenol-sine.com  
 44724 Morley Drive  
 Clinton Township, MI 48036

**M35 POWERBOSS LITE, 3 PIN, FEMALE-STR, 10 AWG, TC-ER/STOOW, PVC JACKET**

SIZE	TYPE	DWG NO:	REVISION
	<b>C-</b>	<b>P29004-Mxxx</b>	<b>A1</b>
SHEET 1 OF 1		C-P29004	

TITM35 PB LITE, 3 PIN, F-STR, 10AWG, TC-ER/STOOW, PVC JACKET, DWG NO: C-P29004-Mxxx REV: A1 SH: 1 OF: 1