

THIS INFORMATION IS CONFIDENTIAL AND PROPRIETARY TO CW INDUSTRIES INCORPORATED AND ITS AFFILIATES. IT MAY NOT BE DISCLOSED TO ANYONE OTHER THAN CW INDUSTRIES PERSONNEL, WITHOUT WRITTEN AUTHORIZATION FROM CW INDUSTRIES INCORPORATED, SOUTHAMPTON, PENNSYLVANIA USA.

F

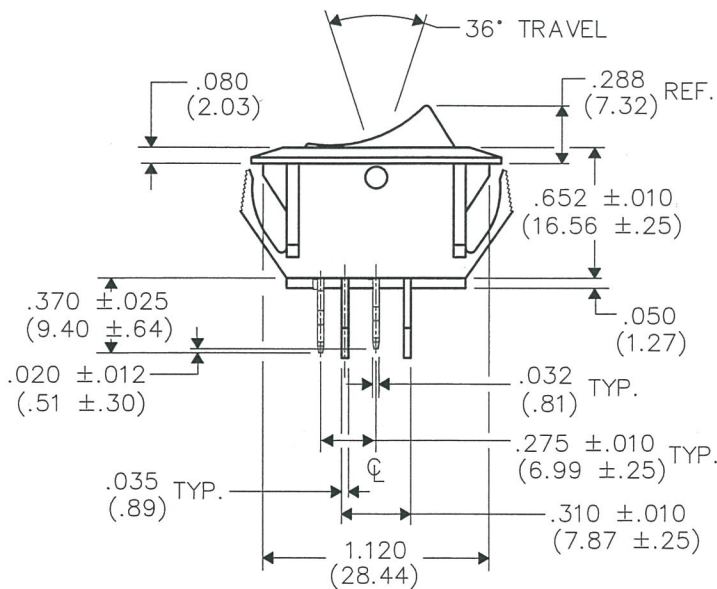
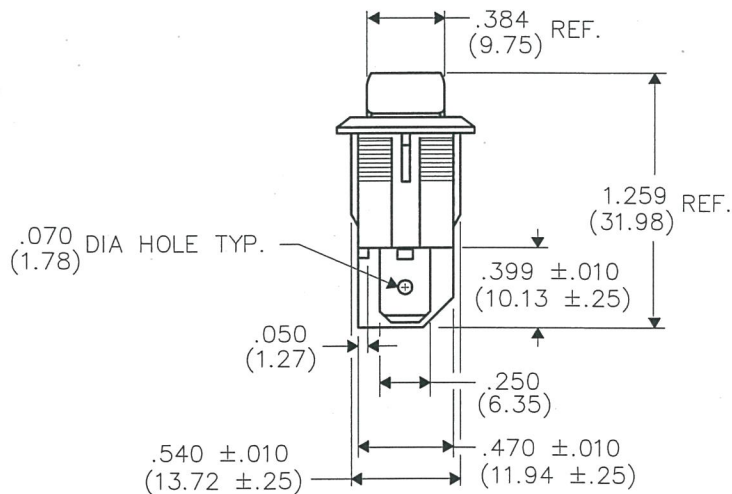
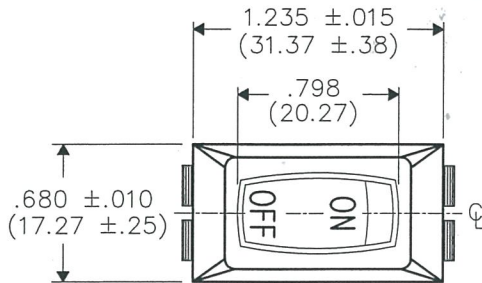
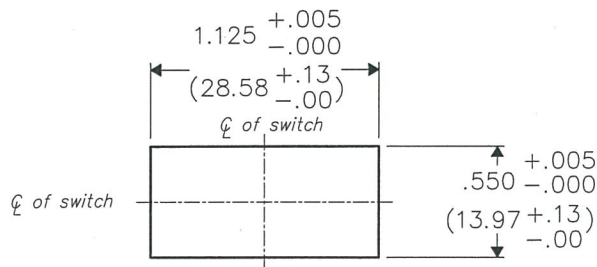
D

C

B

A

PANEL PIERCING



DIMENSIONS IN INCHES (MILLIMETERS)
DO NOT SCALE DRAWING

Dwg. No.
GRS-2011-2021

B-FORMAT 2002																													
<table border="1"> <tr> <td>0</td> <td>1</td> <td>2</td> <td colspan="7"></td> </tr> <tr> <td>RELEASED. DGW 12-17-2012 Mar. 22, 2011</td> <td>REDRAWN, REMOVED 1 BARRIER FROM HOUSING & DIMENSION .310±.010. DGW 12-17-12 CH 12/17/12</td> <td>REDRAWN, Added 1 barrier back to housing making 2 barriers & dimensions. DGW 7-23-2015 G.G. JUL 23 2015</td> <td colspan="7"></td> </tr> </table>										0	1	2								RELEASED. DGW 12-17-2012 Mar. 22, 2011	REDRAWN, REMOVED 1 BARRIER FROM HOUSING & DIMENSION .310±.010. DGW 12-17-12 CH 12/17/12	REDRAWN, Added 1 barrier back to housing making 2 barriers & dimensions. DGW 7-23-2015 G.G. JUL 23 2015							
0	1	2																											
RELEASED. DGW 12-17-2012 Mar. 22, 2011	REDRAWN, REMOVED 1 BARRIER FROM HOUSING & DIMENSION .310±.010. DGW 12-17-12 CH 12/17/12	REDRAWN, Added 1 barrier back to housing making 2 barriers & dimensions. DGW 7-23-2015 G.G. JUL 23 2015																											
REVISIONS RELEASED. DGW 12-17-2012 Mar. 22, 2011		REDRAWN, REMOVED 1 BARRIER FROM HOUSING & DIMENSION .310±.010. DGW 12-17-12 CH 12/17/12	REDRAWN, Added 1 barrier back to housing making 2 barriers & dimensions. DGW 7-23-2015 G.G. JUL 23 2015																										
CW INDUSTRIES Southampton, Pa. 18966 TOLERANCES UNLESS OTHERWISE SPECIFIED 2 Place Decimal ±.010 METRIC 3 Place Decimal ±.005 1 Place Dec. ±.25mm Angles ±1' 2 Place Dec. ±.13mm		Title: ROCKER SWITCH ASSEMBLY S.P.S.T. NON-POLARIZED W/BARRIER 1.125" x .550" PANEL			Division: SWITCH Dwg. No. GRS-2011-2021																								
Made for: CW IND. Drawn by: DGW 12-17-2012 Checked by: G. GULD 7-23-15 Approved: G. GULD 7-23-15																													

MASTER