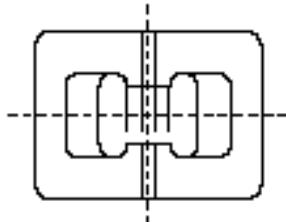
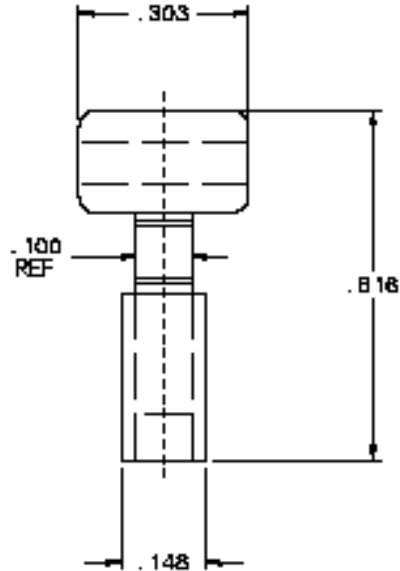
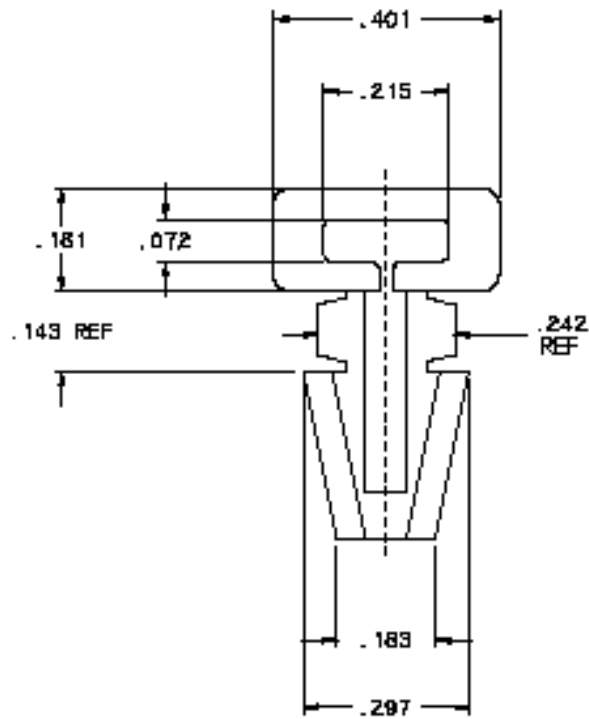


A	001-A			
DWB REV	DASH-REV PART NO.	CHANGED DATE	RELEASED DATE	BY

DESIGN TEAM	INVENTOR(S) / DATE
-------------	--------------------

ALL PROPRIETARY RIGHTS IN THE SUBJECT MATTER OF OR ON THIS DRAWING ARE EXCLUSIVE PROPERTY OF TYTON CORPORATION



TM1SF_M	1000	T 16 THRU T50	.134	.250
TM1SF_C	100			
CATALOG NUMBER	PACKAGE QUANTITY	CABLE TIE SERIES	MAX PANEL THICKNESS	MOUNTING HOLE DIA

DIMENSIONS VERIFIED _____ name _____ date _____ UNITS <input checked="" type="checkbox"/> in <input type="checkbox"/> mm <input type="checkbox"/> mm <input type="checkbox"/> in TOLERANCES unless otherwise specified .XXX = ±.010 X= .XX = <	MATERIAL NYLON 6/6 WHITE OR BLACK or engineering approved equivalent	NAME DATE K.A.C. 6/30/95	PART NAME TM1SF PUSH MOUNT
		plot date 7/27/95	scale 3X