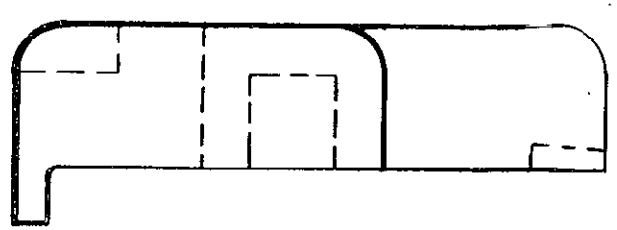
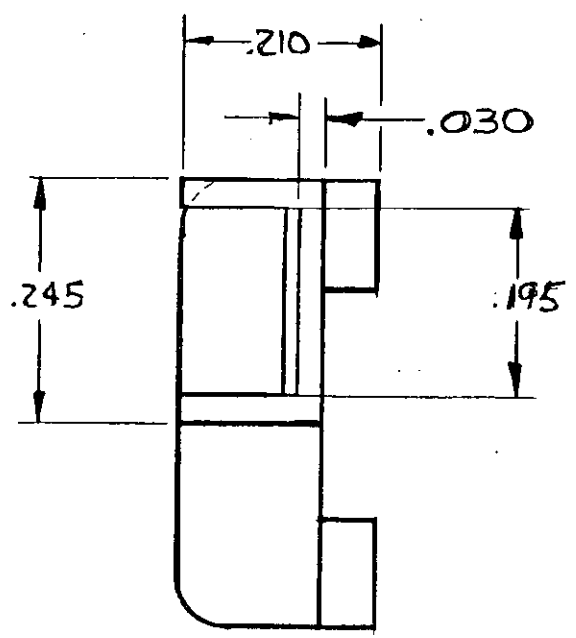
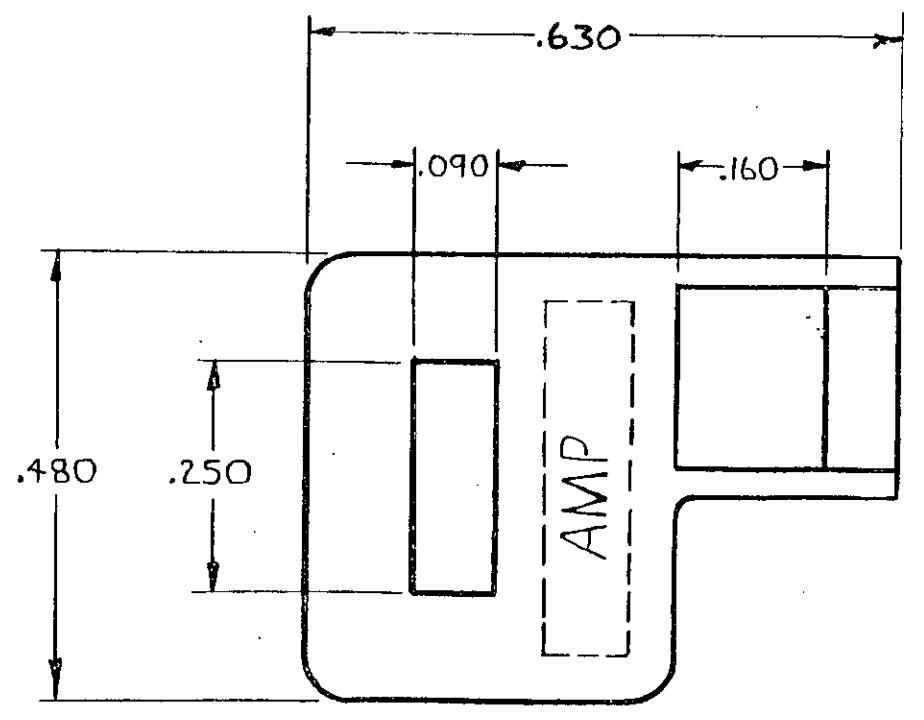
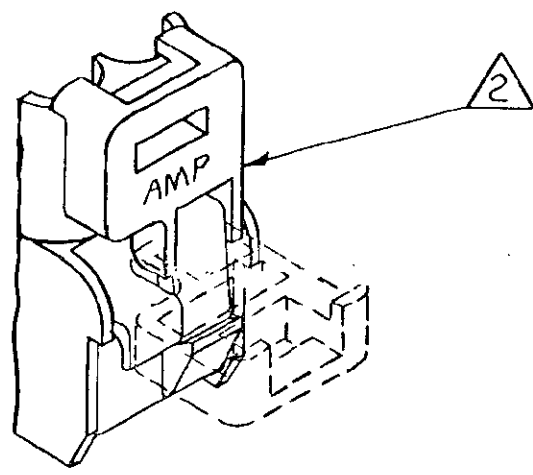


THIS DRAWING IS UNPUBLISHED. RELEASED FOR PUBLICATION, 19
© COPYRIGHT 19 BY AMP INCORPORATED, HARRISBURG, PA. ALL INTERNATIONAL RIGHTS RESERVED. AMP PRODUCTS MAY BE COVERED BY U.S. AND FOREIGN PATENTS AND/OR PATENTS PENDING.

REVISIONS						
P	F	ZONE	LTR	DESCRIPTION	DATE	APPROVED
/	/		D	REV PER EC 0730-0201-94	42695	JH RS
/	/		D1	REVISED PER ECO-10-000445	08JAN10	KK AEG
/	/					
/	/					



- 1 FOR USE WITH 2 AND 6 CIRCUIT CAP HOUSINGS AND APPROPRIATE ASSEMBLY MODULE.
- 2 ADAPTER ATTACHES TO CAP HOUSING AS SHOWN PROVIDING FEATURE TO ATTACH ASSEMBLY MODULE.
- 3 OBSOLETE PARTS: OBSOLETE CIS STREAMLINING PER D.RENAUD/D.SINISI



BRICK RED OR WHITE	NYLON 94V-0	643131-2
NATURAL	NYLON 94V-2	643131-1
COLOR	MATERIAL	PART NO

UNLESS OTHERWISE SPECIFIED DIMENSIONS ARE IN INCHES. TOLERANCES ON: DECIMALS ±.015 ANGLES ±	CONTRACT NO	AMP AMP INCORPORATED Harrisburg, Pa. 17105		
	DR <i>m. Fehre 2-17-82</i>			
MATERIAL SEE TABLE	CHK <i>J.S. Heide 7-2/82</i>	NAME ADAPTER, ASSEMBLY MODULE, UNIVERSAL MATE-N-LOK (FOR 2 & 6 CIRCUIT CAP HOUSINGS)		
	APPD <i>W.C. Heide 4/92</i>			
COLOR SEE TABLE	DSGN APPD	SIZE C	FSCM NO 00779	DRAWING NO 643131
	OTHER APPD	SCALE 5-1	SHEET	

643131