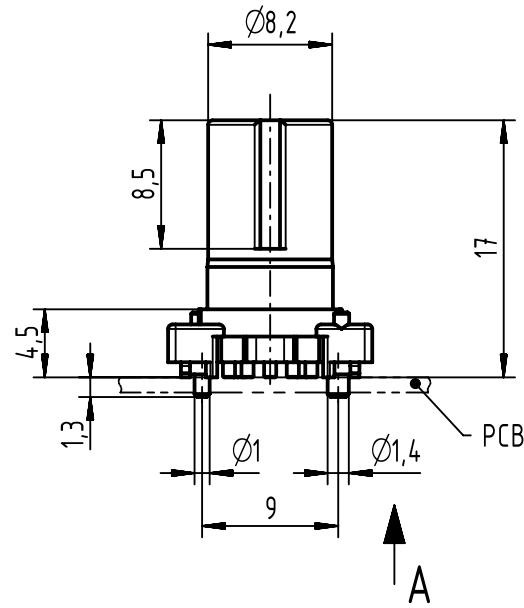
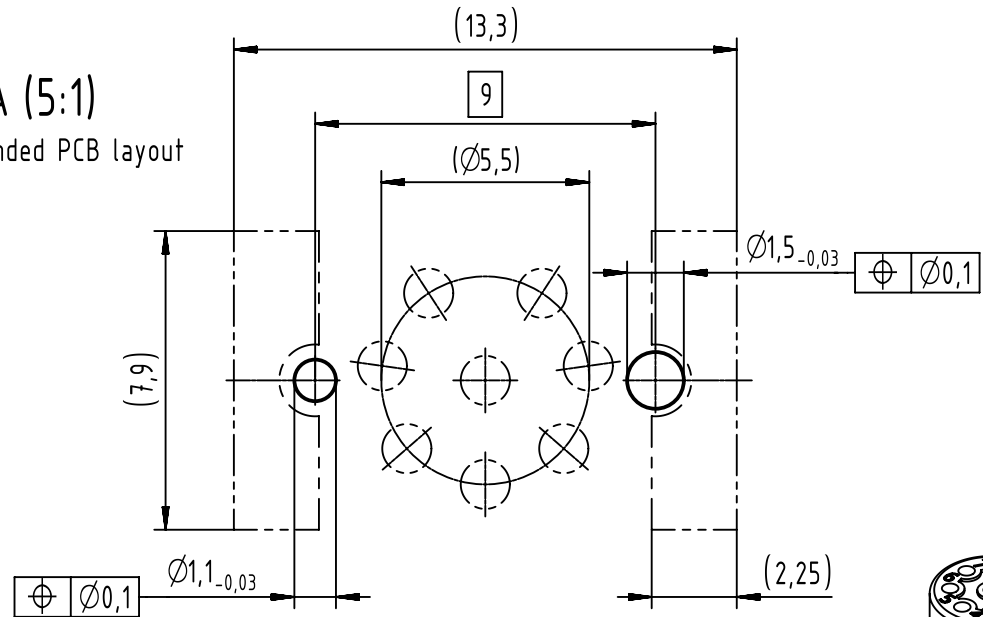


1 2 3 4 5 6

A

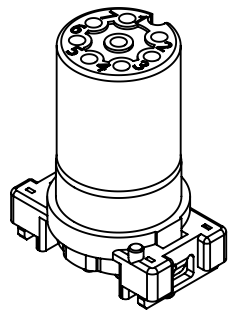
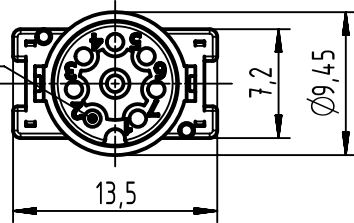


A (5:1)
recommended PCB layout



B

contact face acc. to IEC 61076-2-101



-packaging unit: 25pcs.

C

D

	All Dimensions in mm Original Size DIN A4		Scale 2:1	Free size tol.		Ref.
			Created by HELLMANN	Inspected by EISFELD	Standardisation KOHLER	Date 2016-08-11
All rights reserved Department EC PD - DE		Title M12 PCB recpt str 8-pole A-coded female		State Final Release		Doc-Key / ECM-Nr. 100671213/UGD/000/A 500000107452
HARTING Electronics GmbH D-32339 Espelkamp		Type TB	Number 21033112810		Rev. A	Page 1/1