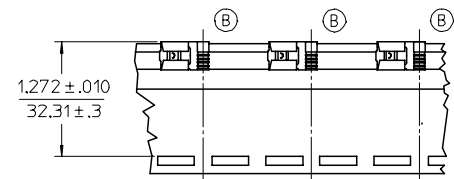
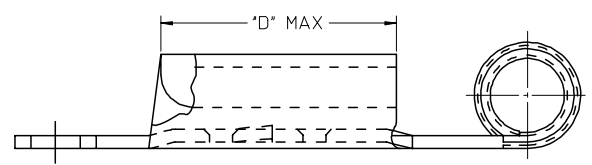
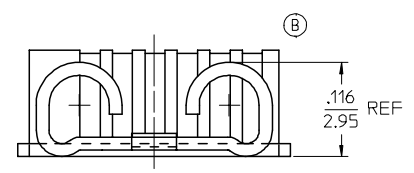
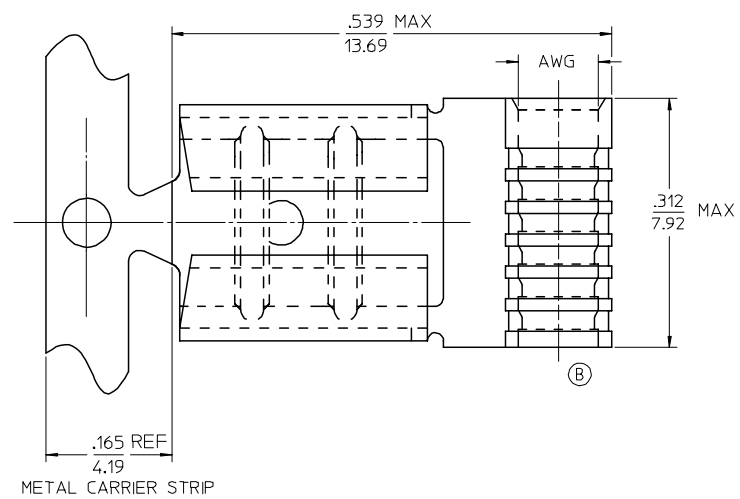


	13	12	11	10	9	8	7	6	5	4	3	2	1
J	MATERIAL NUMBER ON STRIP	ENGINEERING NUMBER ON STRIP	MATERIAL NUMBER LOOSE PIECE	ENGINEERING NUMBER LOOSE PIECE	TAPE MATERIAL NUMBER	TAPE ENGINEERING NUMBER	AWG	TAB SIZE	D MAX				
	190080008	AAZ-1147	190080001	AA-1147	190080004	AA-1147T	22-18	.187 X .020	.257/6.53				
	190080009	AAZ-1147-032	190080002	AA-1147-032	190080003	AA-1147-032T	22-18	.187 X .032	.257/6.53				
	190080013	AAZ-1158	190080006	AA-1158	190080007	AA-1158T	22-18	.250 X .032	.312/7.92	(B)			
	190080028	BBZ-1148	190080019	BB-1148	190080022	BB-1148T	16-14	.187 X .020	.257/6.53				
	190080029	BBZ-1148-032	190080020	BB-1148-032	190080021	BB-1148-032T	16-14	.187 X .032	.257/6.53				
I	190080031	BBZ-1159	190080024	BB-1159	190080027	BB-1159T	16-14	.250 X .032	.312/7.92	(B)			



PARTS ON TAPE



SALES DRAWING

NOTES:

- MATERIAL: BRASS .016/0.04 THICK. PLATING ELECTRO-TIN.
- TAB SIZE SEE CHART.
- WIRE AWG SEE CHART.
- (B) PART IS ROHS COMPLIANT.

REVISED FC NO: ETC2007-0001 DRAWN BY: DRW:NEHLE CHKD: JMACNEIL APPR: RDEROSS REV	QUALITY SYMBOLS =0 =0	GENERAL TOLERANCES (UNLESS SPECIFIED)		DIMENSION STYLE IN/MM		SCALE NONE	DESIGN UNITS INCH	THIRD ANGLE PROJECTION		
		mm	INCH	DRAWN BY BENDERLE	DATE 2005/01/25	TITLE FLAG QD				
		4 PLACES ± .005	± .005	CHECKED BY R DEROSS	DATE 2005/01/25	22-18 AWG & 16-14 AWG				
		3 PLACES ± .005	± .01	APPROVED BY R DEROSS	DATE 2005/01/25	.187X.020&.032,.250X.032				
2 PLACES ± .13	± .25	ANGULAR ±1/2°		MATERIAL NO. SEE CHART		DOCUMENT NO. SD-19008-013		SHEET NO. 1 OF 1		
1 PLACE ± .25	DRAFT WHERE APPLICABLE MUST REMAIN WITHIN DIMENSIONS		SIZE C		THIS DRAWING CONTAINS INFORMATION THAT IS PROPRIETARY TO MOLEX INCORPORATED AND SHOULD NOT BE USED WITHOUT WRITTEN PERMISSION					