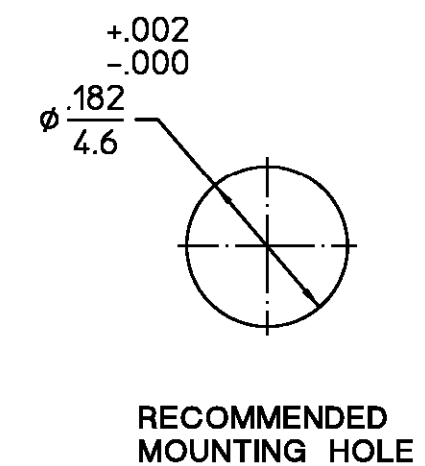


REVISIONS			
REV	DESCRIPTION	DATE	APPROVED
01 <sub>1</sub>	REVISED	9/16/85	[Signature]



ELECTRICAL	MECHANICAL	ENVIRONMENTAL
Nominal Impedance (Ohms) <u>50</u>	Interface Dimensions <u>SEE M/A-COM CATALOG</u>	Temperature Rating <u>-65°to+125°C</u>
Frequency Range (GHz) DC to <u>18</u>	Mating Characteristics:	Vibration MIL-STD-202, Method 204, Condition D
Volt Rating (VRMS MAX) @ Sea Level <u>250</u>	Insertion (MAX Lbs) <u>3</u>	Shock MIL-STD-202, Method 213, Condition I
VSWR <u>1.05±.01f(GHz)</u>	Withdrawal (MIN Oz) <u>0.5</u>	Thermal Shock MIL-STD-202, Method 107, Condition B
Insertion Loss (dB MAX) <u>.06x√f(GHz)</u>	Force to Engage (In-Lbs MAX) <u>3</u> & Disengage (In-Lbs MAX) <u>1.5</u>	Moisture Resistance MIL-STD-202, Method 106
RF Leakage (dB MIN) <u>-(60-f(GHz))</u>	Center Contact Captivation Axial (Lbs) <u>4</u>	Corrosion - MIL-STD-202, Method 101, Condition B
Corona, 70,000 Ft (VRMS MIN) <u>190</u>		
Dielectric Withstanding Voltage (VRMS MIN) @ Sea Level <u>675</u>		
Contact Resistance (Milliohms MAX) Center Contact <u>6.0</u> Outer Contact <u>3.0</u> Cable to Housing <u>N/A</u>		
RF High Potential @ Sea Level (VRMS MIN @ 5 MHz) <u>500</u>		
I.R.(Megohms MIN) <u>5000</u>		

COMPONENT	MATERIAL	FINISH
HOUSING MOUNTING NUT LOCKWASHER	STAINLESS STEEL PER ASTM-A484 AND ASTM-A582, TYPE 303	PASSIVATE PER QQ-P-35
DIELECTRIC	PTFE FLUOROCARBON PER ASTM-D-1457	N/A
CENTER CONTACT	BERYLLIUM COPPER PER ASTM-B-196 OR ASTM-B-197, ALLOY C17300, CONDITION H	GOLD PLATE PER MIL-G-45204
O-RING	FLUOROSILICONE 60 (DUROMETER) PER MIL-P-25988, CLASS 1, TYPE 1	N/A

UNLESS OTHERWISE SPECIFIED DIMENSIONS ARE IN MM	DRAWN BY GT DATE 9/18/85	AMP Incorporated 140 Fourth Avenue Waltham, MA 02451-7599
DEC. ±.013	CHECKED BY SWA DATE 9/23/85	
ANGLES ± 1°	APPROD BY PCV DATE 10/25/85	

TITLE "OSSP" PLUG TO "OSM" JACK BULKHEAD FEEDTHRU ADAPTER			
SIZE B	CODE IDENT NO. 26805	4785-2240-02	REV 01 <sub>1</sub>
SCALE 5:1			SHEET 1 OF 1

These drawings and specifications are the property of M/A COM Interconnect Div. and shall not be reproduced or copied or used in whole or in part as the basis for the manufacture or sale of item(s) without written permission.

.XXX = in  
XX.X = mm (REF)

CUSTOMER DRAWING

AMP PART # 1059941-1  
SHEET 1 OF 1 REV B  
PER EC # OU20-0261-01