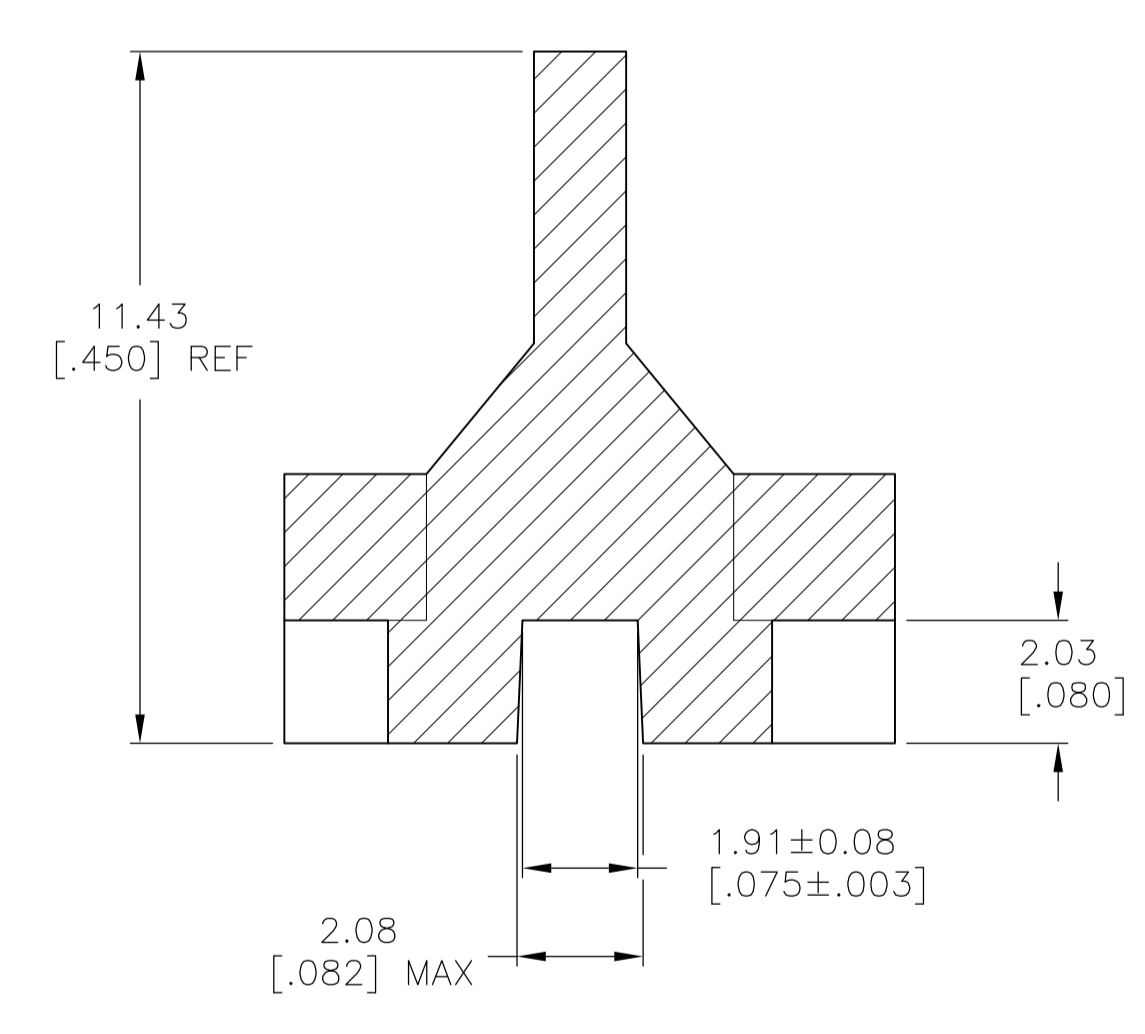
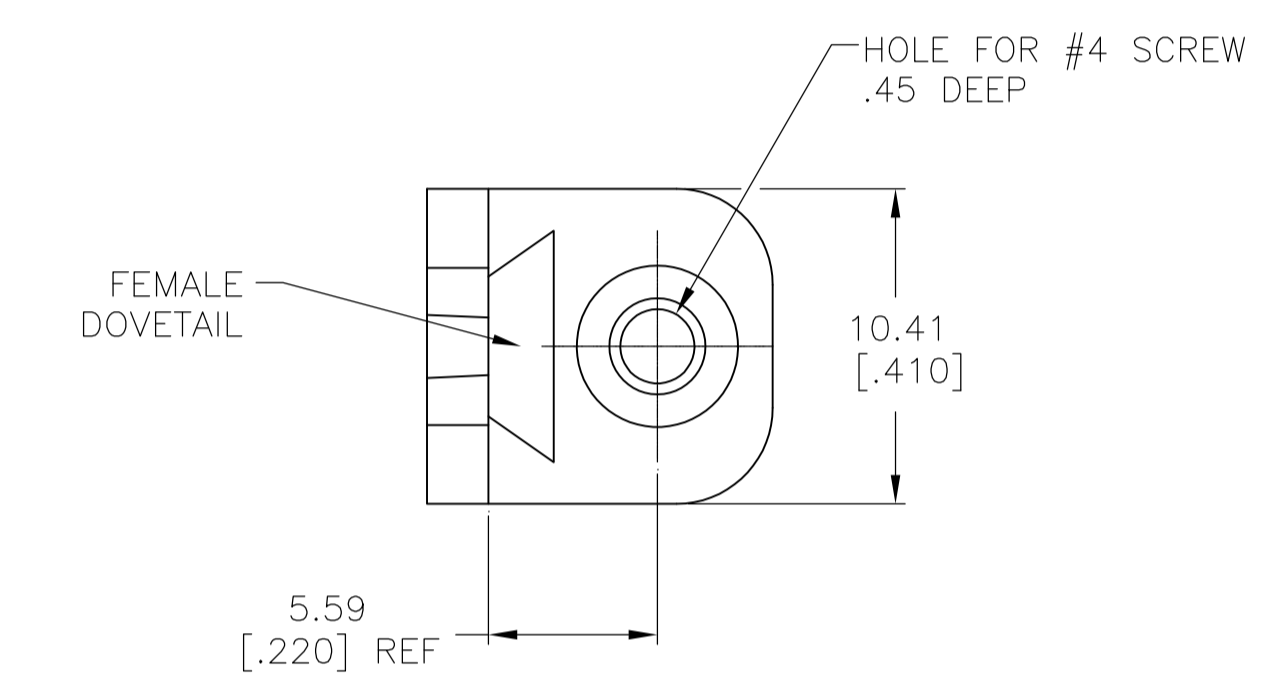
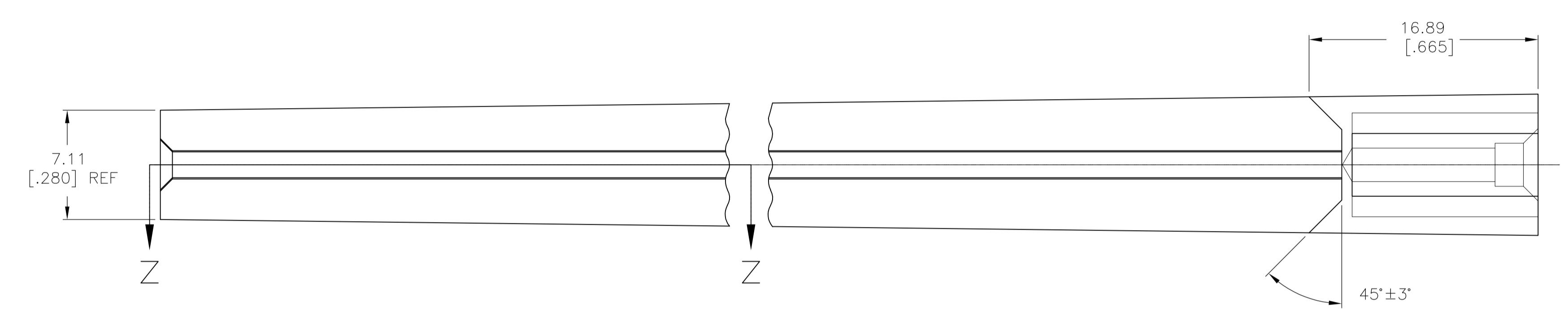
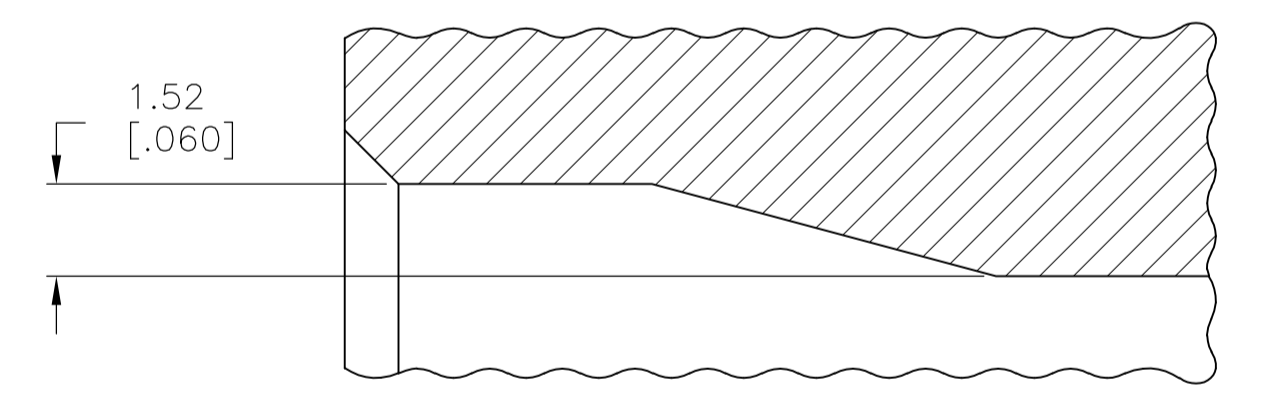


- 1 SEE VIEW A FOR TYPICAL MOUNTING DIMENSIONS WHEN USED WITH ECONOMATE I HOUSINGS 117296, 117796, 117797 & 117798.
- 2 TAKE G DIMENSION FROM 116405, 106406 OR 116407, SUBTRACT 3.30 [.130], THEN ADD 11.18 [.440] FOR HOLE SPACING.
- 3 OBSOLETE PARTS: OBSOLETE CIS STREAMLINING PER D.RENAUD/D.SINISI



SECTION X-X
SCALE 8:1



SECTION Z-Z
SCALE 8:1



VIEW A

OBSOLETE	152.40 [6.000]	1-117169-3
	18.29 [.720]	1-117169-2
	101.60 [4.000]	1-117169-6
	63.50 [2.500]	1-117169-3
	T	PART NUMBER

THIS DRAWING IS A CONTROLLED DOCUMENT.		DIN T. SHUEY 07JAN97	Tyco Electronics Corporation Harrisburg, PA 17105-3608	
DIMENSIONS: mm [INCHES]		CHK H. ROSE 31JAN97	NAME H. ROSE 31JAN97	
TOLERANCES UNLESS OTHERWISE SPECIFIED:		PRODUCT SPEC		
0. PLC ± -		APPLICATION SPEC		
1. PLC ± -		SIZE		
2. PLC ± -		CAGE CODE		
3. PLC ± 0.20 [.008]		DRAWING NO		
4. PLC ± -		RESTRICTED TO		
ANGLES ± -		WEIGHT		
FINISH -		A1 00779 C=117169		
MATERIAL VALOX 420-SEO COLOR-BLACK		CUSTOMER DRAWING		
		SCALE 4:1 SHEET 1 OF 1 REV G1		