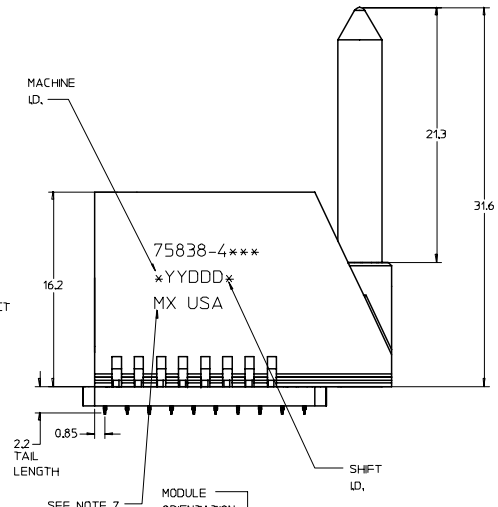
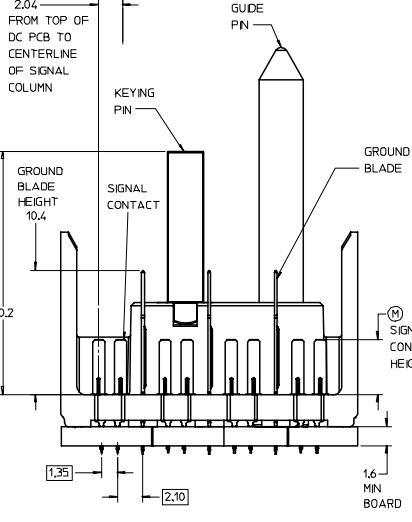
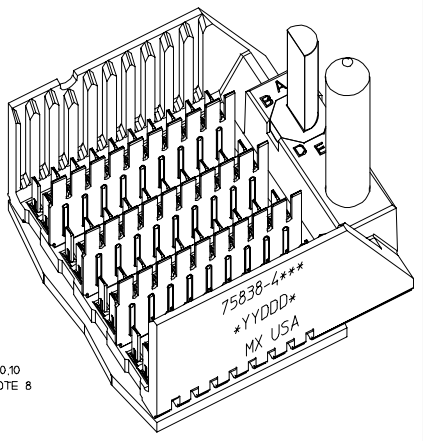
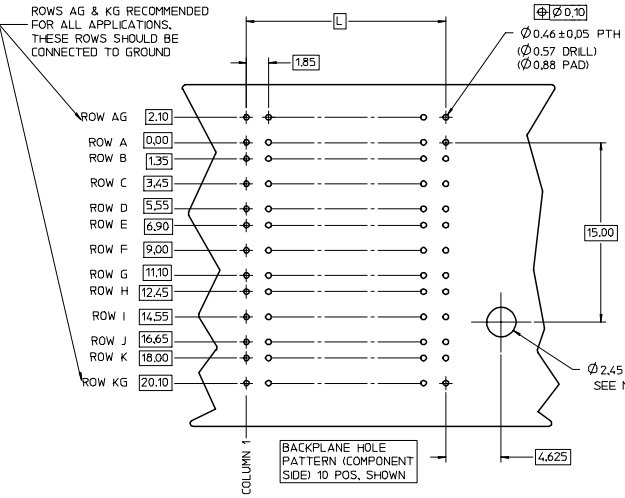
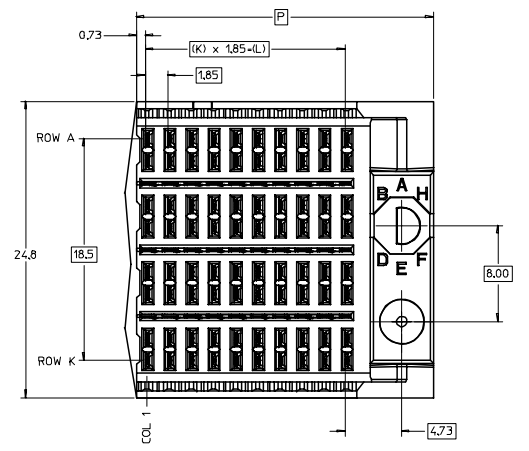
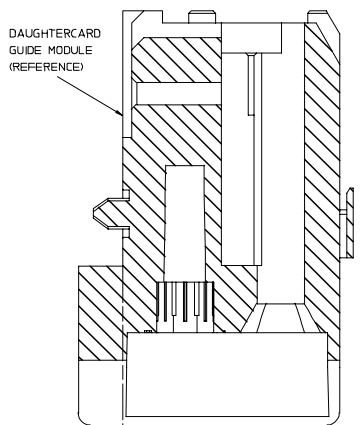
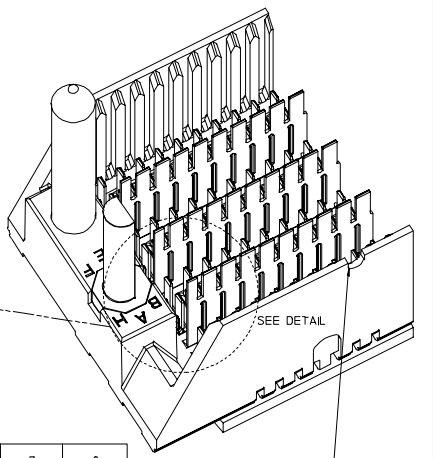
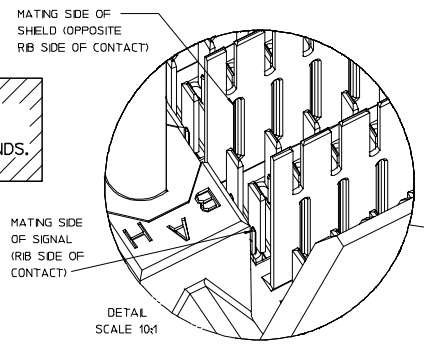


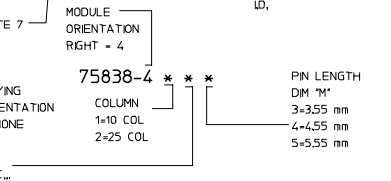
20 19 18 17 16 15 14 13 12 11 75838 9 8 7 6 5 4 3 2 1



LEAD-FREE PLATING ON SIGNALS & GROUNDS.



- NOTES:
1. MATERIAL: HOUSING - LIQUID CRYSTAL POLYMER (LCP) GLASS-FILLED, UL 94V-0, COLOR - GRAY. SIGNAL CONTACT AND GROUND BLADE - HIGH PERFORMANCE COPPER ALLOY.
 2. FINISHES: SELECTIVE GOLD (Au) ON CONTACT AREA. SELECTIVE MATTE TIN (Sn) ON PCB TAILS. NICKEL (Ni) OVERALL.
 3. THIS PART CONFORMS TO MOLEX PRODUCT SPECIFICATION PS-75221-999.
 4. FOR MIXED CONTACT MATING LENGTHS CONSULT MOLEX FOR AVAILABILITY. CONTACT PAIRS MUST BE THE SAME LENGTH.
 5. FOR SPECIFIC PART NUMBER AND MATING INFORMATION PLEASE REFER TO CHART.
 6. PACKAGE PER PK-70873-563.
 7. MARK PART NUMBER AND DATE CODE APPROXIMATELY WHERE SHOWN.
 8. OPTIONAL HOLE LOCATION FOR GROUNDED GUIDE PIN OR ADDITIONAL PIN SUPPORT. FOR GROUNDED GUIDE PIN, HOLE TO BE PLATED, DRILL SIZE Ø2.58, PAD SIZE Ø5.50
 9. THESE PARTS CONFORM TO MOLEX COSMETIC SPECIFICATION PS-45499-002 CLASS B.



PART NUMBER TABLE

ASSY PART NO.	K	L	P	TOTAL NO. OF DIFFERENTIAL PAIRS
75838-41**	9	16.65	24.78	40
75838-42**	24	44.40	52.53	100

P/N	---*0*	---*1*	---*2*	---*3*	---*4*	---*5*	---*6*	---*7*	---*8*
75838-I J	0	A	B	C	D	E	F	G	H
KEYING PIN ORIENTATION									

NOTCH DESIGNATES POSITION AT A1, ARCH AND NOTCH ON OPPOSITE SIDE OF PART MARKING.

REVISED EC NO: UCP 2007-2809 DRAWN: JBINGHAM 2007/05/07 CHKD: CHKD 2007/05/07 APPR: SPEED 2007/05/08	QUALITY SYMBOLS 0 1	GENERAL TOLERANCES (UNLESS SPECIFIED) 4 PLACES ± 3 PLACES ± 2 PLACES ± 1 PLACE ± ANGULAR ±	SCALE 5:1	DESIGN UNITS METRIC	THIRD ANGLE PROJECTION	REVISE ON CAD ONLY
			DIMENSION STYLE MM ONLY	TITLE GBX 4-PAIR RIGHT END BACKPLANE ASSEMBLY LEAD-FREE SALES DRAWING	MATERIAL NO. SEE CHART	DOCUMENT NO. SD-75838-410
DRAFT WHERE APPLICABLE MUST REMAIN WITHIN DIMENSIONS		APPROVED BY JBINGHAM 2006/01/05	DATE 2006/01/05	MOLEX INCORPORATED		
THIS DRAWING CONTAINS INFORMATION THAT IS PROPRIETARY TO MOLEX INCORPORATED AND SHOULD NOT BE USED WITHOUT WRITTEN PERMISSION						

19 18 17 16 15 14 13 12 11 10 9 8 7 6 5 4 3 2 1