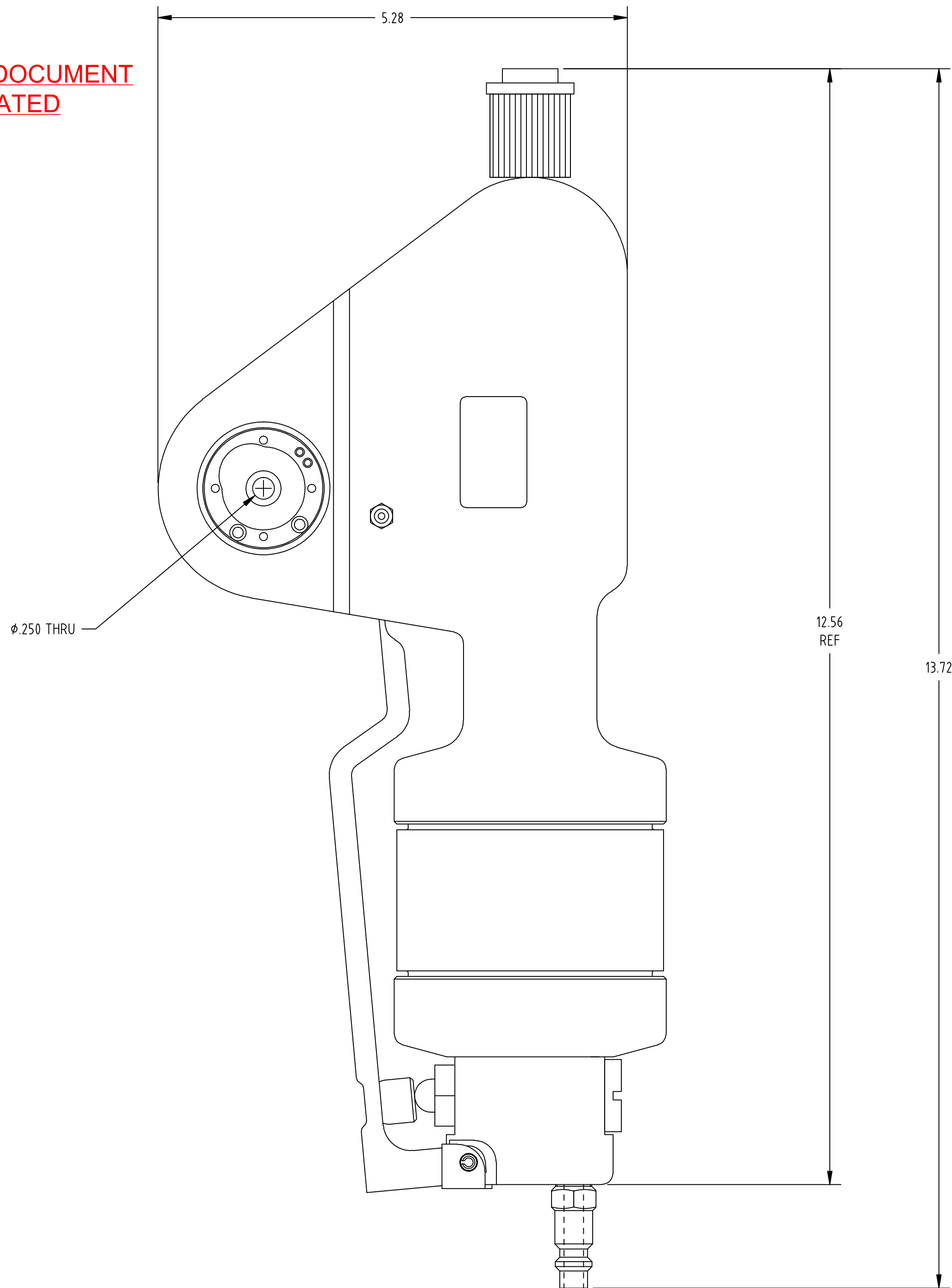


**UNCONTROLLED DOCUMENT
WILL NOT BE UPDATED**



- 5. TOTAL WEIGHT: 4 lbs.
- 4. OPERATING AIR PRESSURE: 80-100 PSI.
- 3. AIR FILTER, REGULATOR AND LUBRICATOR MUST BE USED IN AIR LINE.
- 2. REF: CRIMP RANGE: .025-.075.

NOTES: 1. THIS IS AN AUTOCAD DRAWING DO NOT CHANGE MANUALLY!

| | | | | | | | |
|--|--------------|-----|----------|--|--|--|-------------------|
| <p>THESE DRAWINGS, SPECIFICATIONS OR OTHER DATA ARE AND REMAIN, THE PROPERTY OF ASTRO TOOL CORP. AND MUST BE RETURNED UPON REQUEST. THEY CONTAIN INFORMATION OWNED AND/OR DEVELOPED BY ASTRO AT ITS OWN PRIVATE EXPENSE AND MAY NOT BE USED, DUPLICATED OR DISCLOSED TO OTHERS, IN WHOLE OR IN PART FOR DESIGN, MANUFACTURE OR PROCUREMENT WITHOUT THE WRITTEN PERMISSION OF ASTRO TOOL CORP. EACH AND EVERY TIME.</p> | | | | <p>SCALE: N.T.S.</p> <p>DWN BY: DYO</p> <p>DATE: 09-14-11</p> <p>APPROVED:</p> | <p>UNLESS OTHERWISE SPECIFIED: DECIMALS: .XXX ± .005 .XX ± .010 .X ± .030 ANGLES: ± 1°</p> | <p>ASTRO TOOL CORP. 21615 S.W. TUALATIN VALLEY HWY., BEAVERTON OR 97006</p> <p>DESCRIPTION: ENVELOPE DRAWING: TGVP101 PNEUMATIC CRIMP TOOL, DOUBLE INDENT</p> <p>PART NO. C TGVP101-ENV</p> | <p>CAGE 58164</p> |
| REV. | DESCRIPTION | BY | DATE | APR | | | |
| A | NEW RELEASE. | DYO | 09-14-11 | MMK | | | |