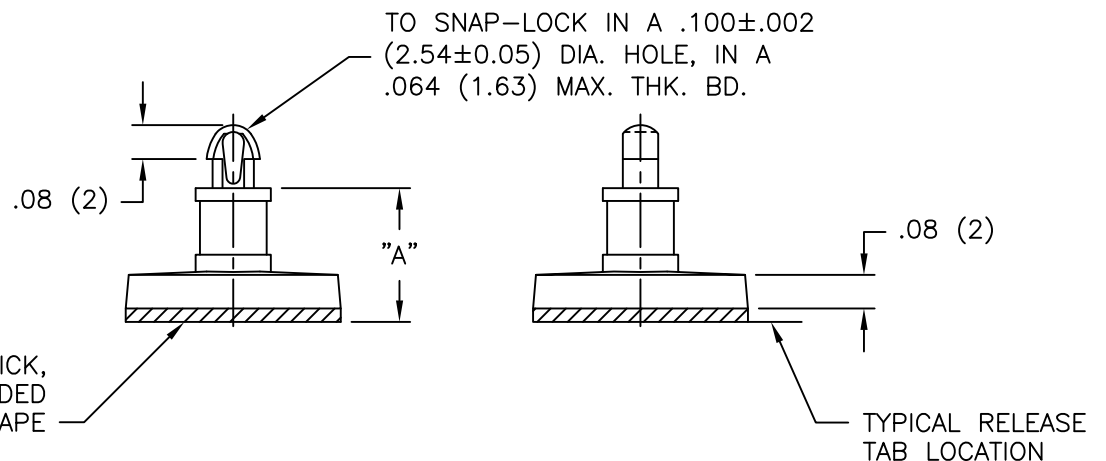


PART NO.	DIM. "A" ±.015 (±0.4)
CBSBT-3-01A-RT	3/16 (4.76)
CBSBT-4-01A-RT	1/4 (6.35)
CBSBT-5-01A-RT	5/16 (7.94)
CBSBT-6-01A-RT	3/8 (9.53)
CBSBT-7-01A-RT	7/16 (11.11)
CBSBT-8-01A-RT	1/2 (12.70)
CBSBT-9-01A-RT	9/16 (14.29)
CBSBT-10-01A-RT	5/8 (15.88)



NOTES:

- MAT'L: NYLON 6/6 (RMS-01).
FLAME RETARDANT, NYLON (RMS-19),
AVAILABLE BY SPECIAL ORDER ONLY.
- COLOR: NATURAL.
- ACRYLIC ADHESIVE TAPE (RMS-15), WHITE LINER.
PART ALSO AVAILABLE WITHOUT TAPE.
TO ORDER REMOVE "A-RT" FROM PART NO.
[SUBTRACT 1/32 (0.8) FROM "A" DIM]
- RUBBER BASED ADHESIVE TAPE (RMS-102),
AVAILABLE BY SPECIAL ORDER ONLY.
TO ORDER REPLACE "A-RT" WITH "A1-RT".

1/32 (0.8) THICK,
DOUBLE SIDED
ADHESIVE TAPE

G	SEE C0200705 FOR CHANGES	SK 09.07.11
-	SEE ENG FOR REVISIONS A TO F	-----
REV	DESCRIPTION	ENGR DATE

TITLE: CIRCUIT BOARD SUPPORT ON BASE, TEARDROP						DWG IN IN (MM)	
TOLERANCES UNLESS NOTED .XX=±.010 .XXX=±.005 FRAC=±1/64 ANG=±1°	FILE # CBSBT	DWN: P.B.	APP:	FINAL			
	MAT'L: SEE NOTES	DT: 02-27-95	DT:	PART #		PRINT	
	RE: RICHCO, INC.	RICHCO INC. PO BOX 804238, CHICAGO, 60680 (773) 539-4060		SEE TABLE		TYPE CA	