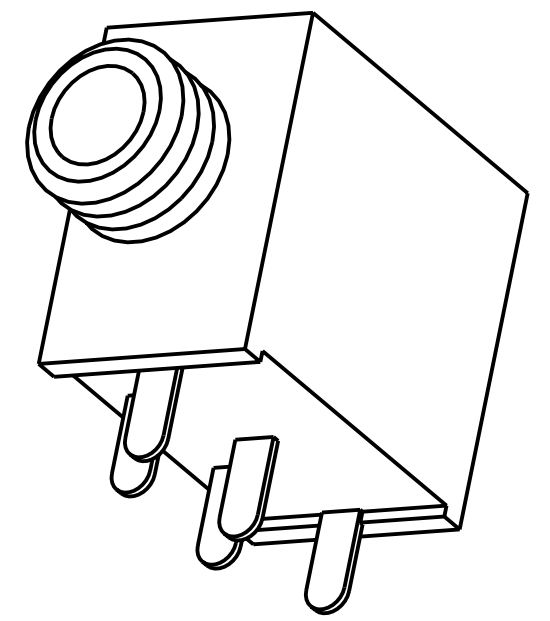
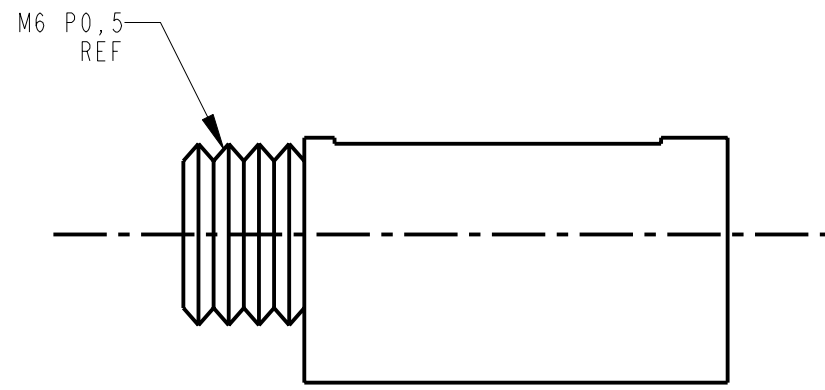


SPECIFICATIONS

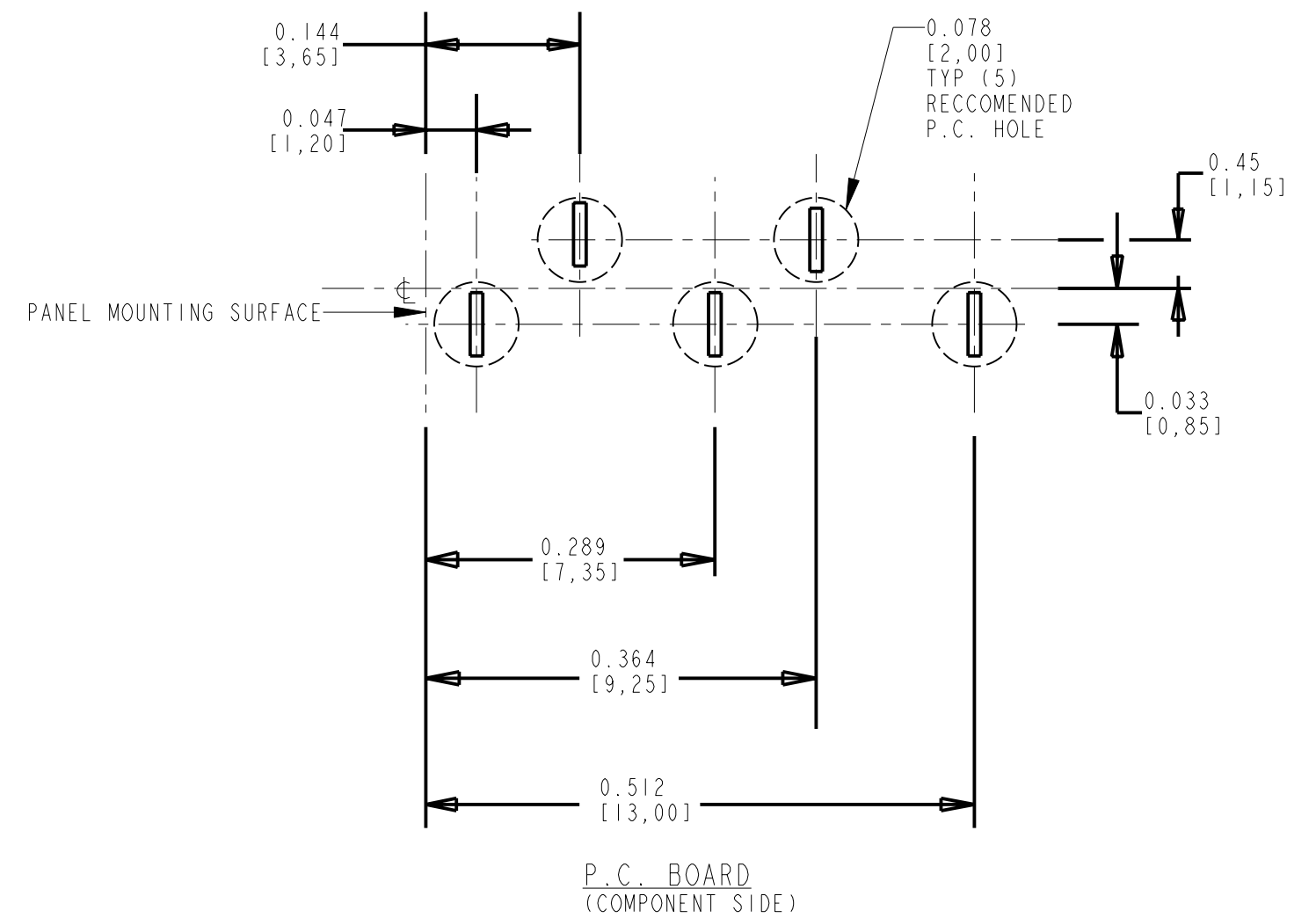
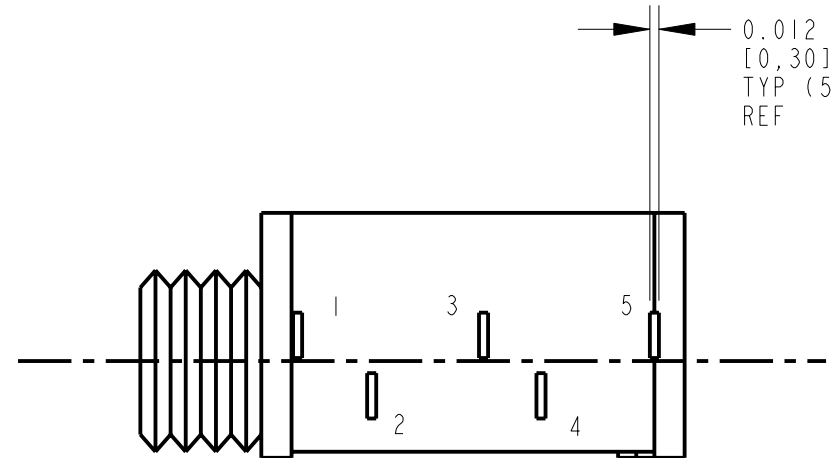
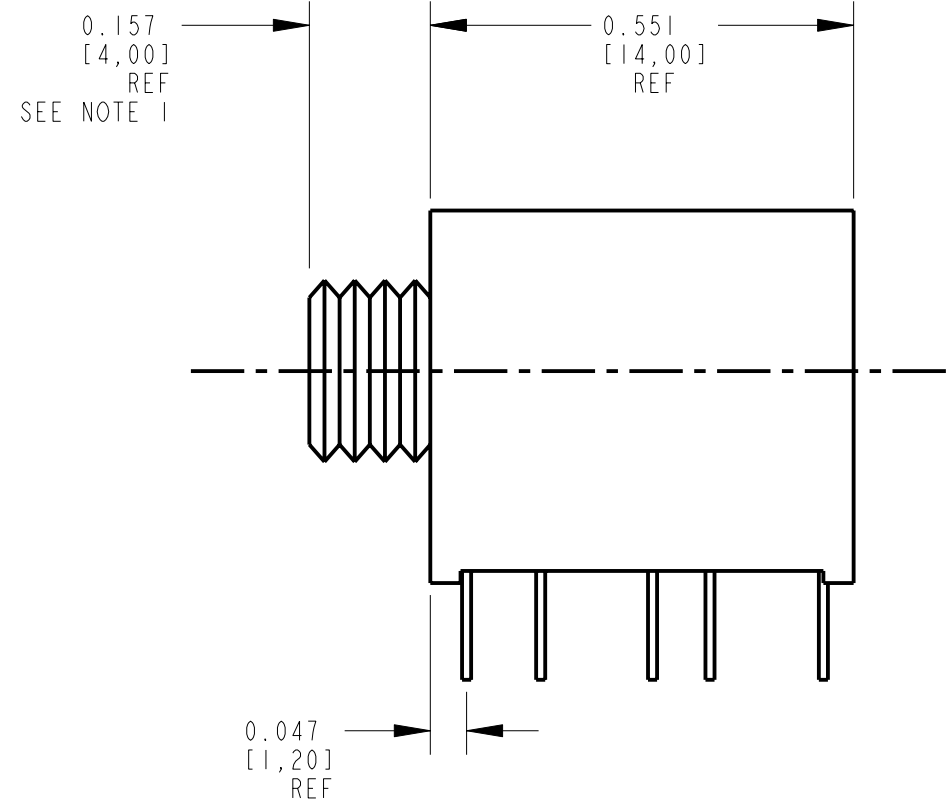
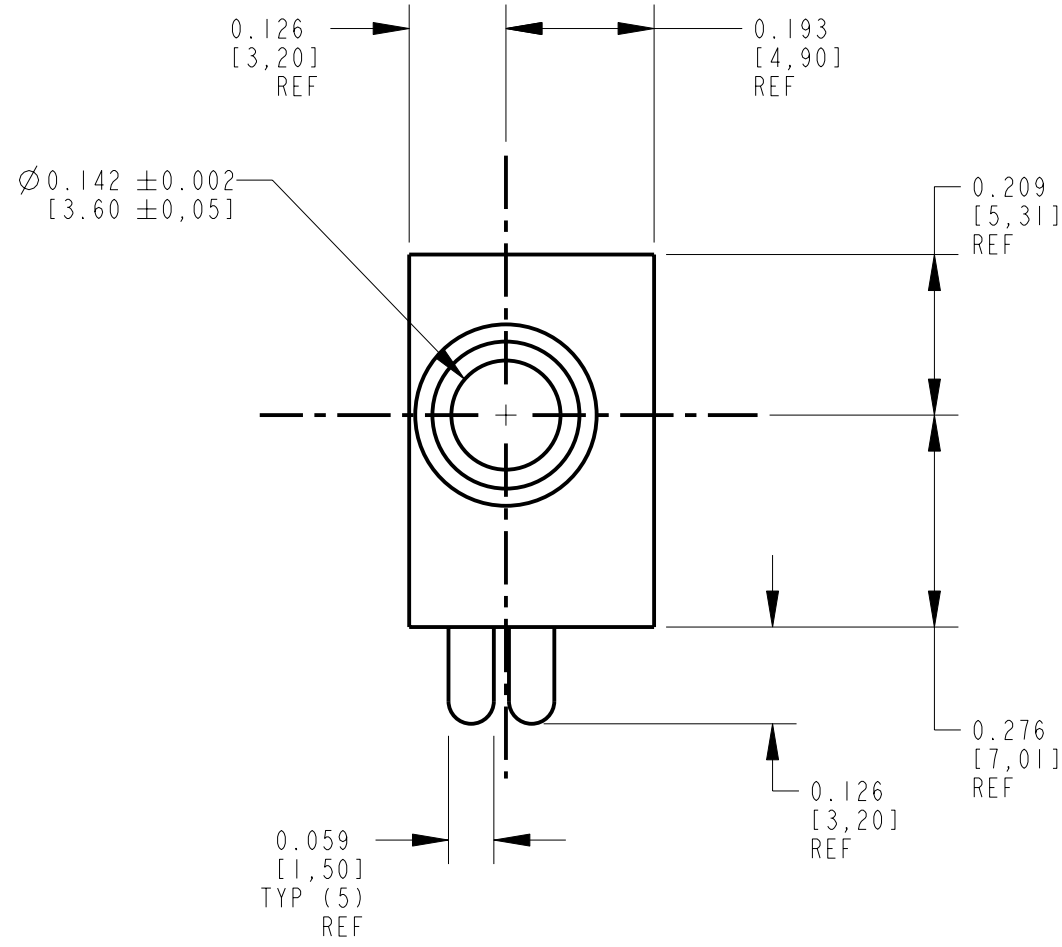
ELECTRICAL:
 CONTACT RESISTANCE: 20 MILLIOHMS MAX, INITIAL
 50 MILLIOHMS MAX, AFTER LIFE
 INSULATION RESISTANCE: 50 MEGAOHMS MIN. AT 500 VDC
 DIELECTRIC WITHSTANDING VOLTAGE: 250 VAC

MECHANICAL:
 LIFE: 5000 CYCLES
 INSERTION FORCE: 0,4 KG TO 1,6 KG
 WITHDRAWAL FORCE: 0,4 KG TO 1,4 KG

MATERIALS:
 HOUSING: PBT +15% GLASS FILLED, BLACK, UL94V0
 BUSHING: BRASS, NICKEL PLATED
 SPRINGS: PHOSPHOR BRONZE, TIN PLATED
 COVER: POLYCARBONATE, CLEAR, UL94V0.



SCALE 4:1



PART NO.	SCHEMATIC	PART REV
35RAPC3BV4		B
35RAPC4BV4		C
35RAPC2BV4		C
35RAPC2AV4		B



SUPPLIED WITH KNURL NUT.

REV	ECO NUMBER	DATE	BY	APVD
D	ECO #20278	11-5-96	MM	EBR
C	ECO #19567	5-5-95	SG	GHJ
B	ECO #19058	6-29-94	LR	EBR
A	FIRST DRAWN	12-7-93	LR	EBR

★ STAR SYMBOL DENOTES CRITICAL DIMENSION
 UNLESS OTHERWISE SPECIFIED
 1. ALL DIMENSIONS IN INCHES
 - TWO PLACE DECIMALS ±0.01
 - THREE PALCE DECIMALS ±0.005
 - FRACTIONAL DIMENSIONS ±1/64
 - ANGLES ±1°
 - ALL DIA. CONCENTRIC WITHIN 0.005 T.I.R.
 2. FEATURES ON THE SAME CENTERLINE MUST BE ALIGNED WITHIN ±0.002
 3. REMOVE ALL BURRS
 DO NOT SCALE DRAWING

THIS DRAWING DESCRIBES A DESIGN CONSIDERED PROPRIETARY IN NATURE, DEVELOPED AND MANUFACTURED BY SWITCHCRAFT INC. AND IS RELEASED ON A CONFIDENTIAL BASIS FOR IDENTIFICATION PURPOSES ONLY.				
SIZE	WIDTH	MULT	LBS/M	TEMPER
FINISH		MATERIAL		
SPEC No.		SPEC No.		
FIRST USED ON		SCALE		
		4:1		
DATE DRAWN	BY	CHKD	APVD	Switchcraft
7-Dec-93	LR	12-10-93	12-10-93	
NAME				REV
3.5 MM VERTICAL STEREO JACK				D
PART No.				
35RAPC__V4				

CUSTOMER DRAWING

