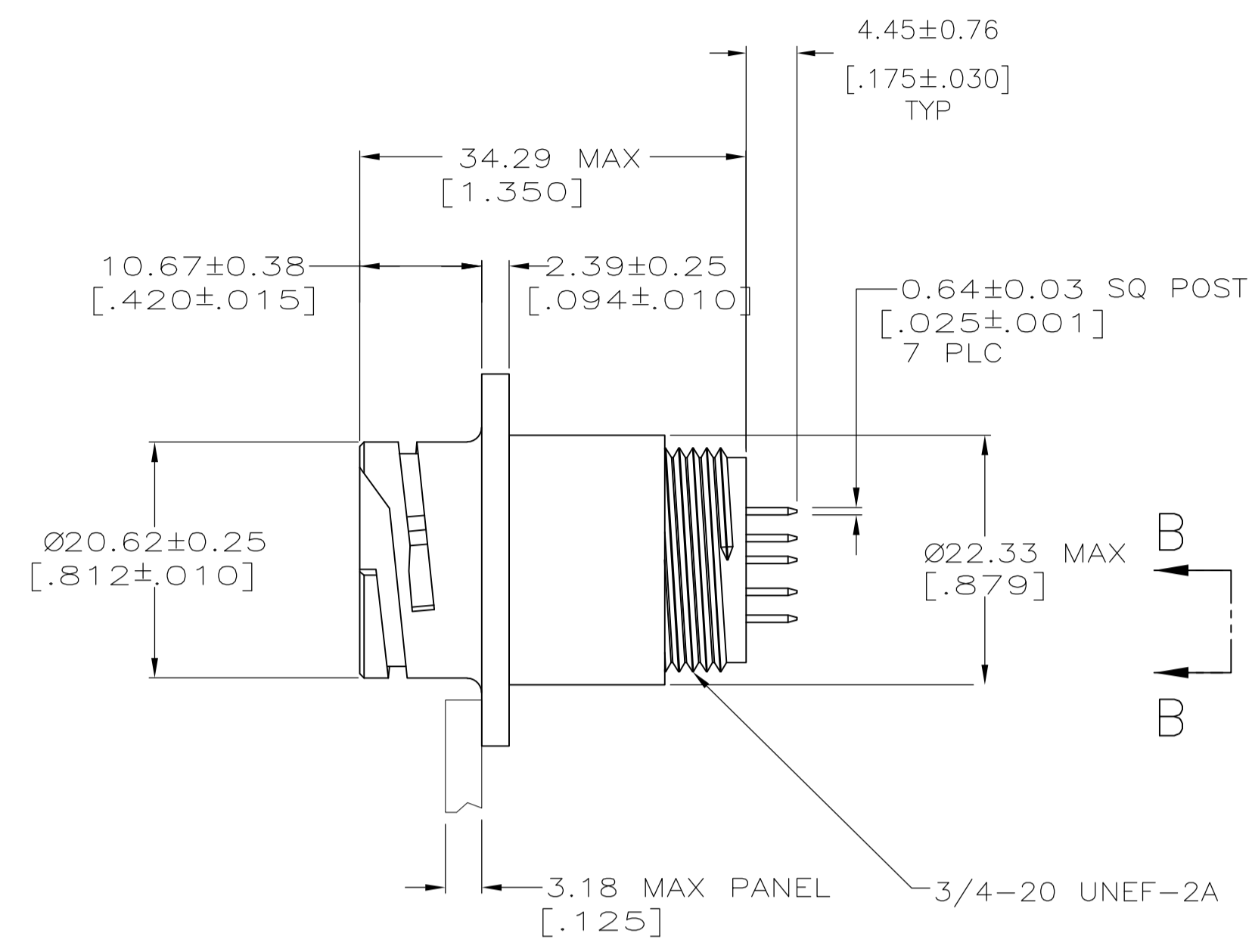
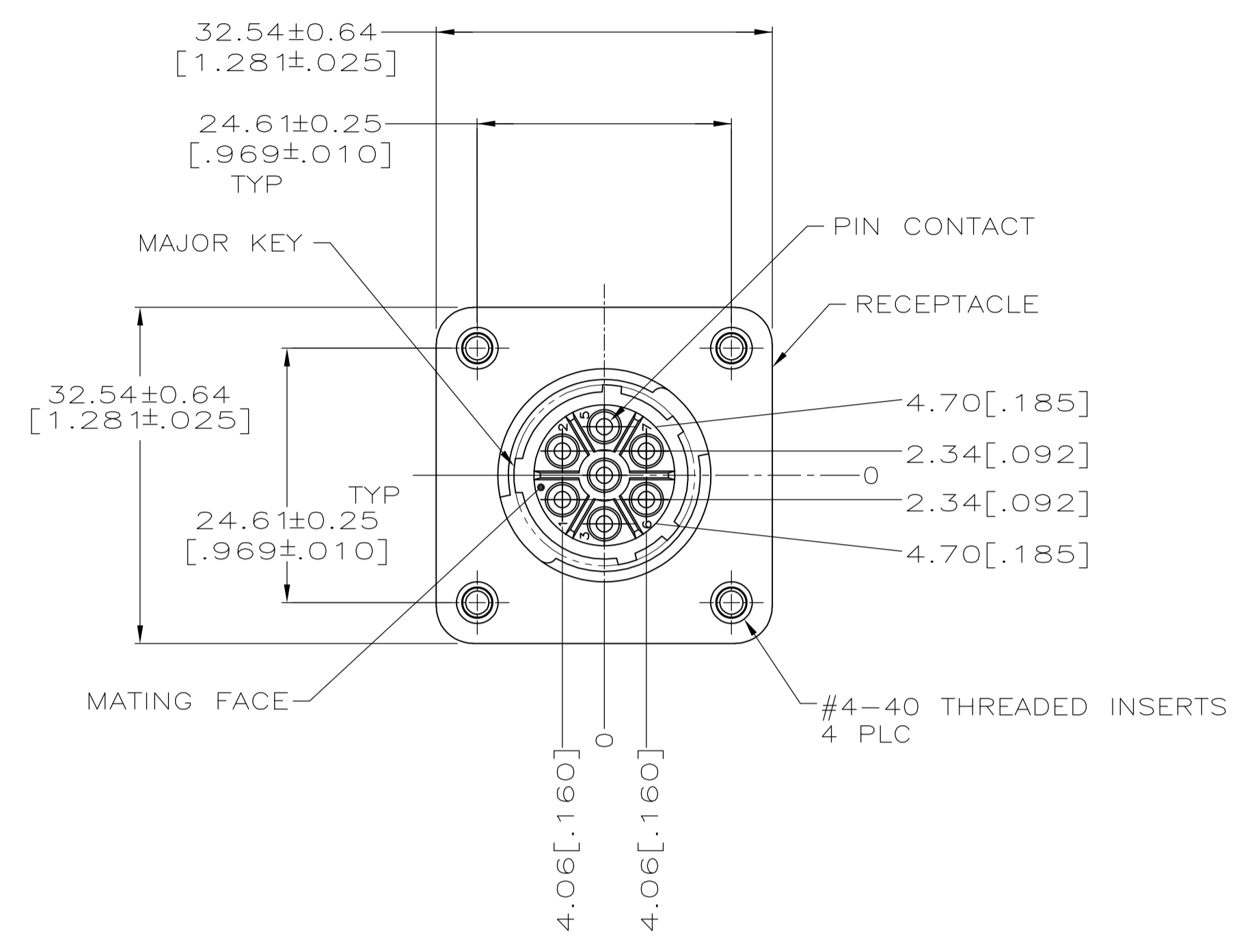
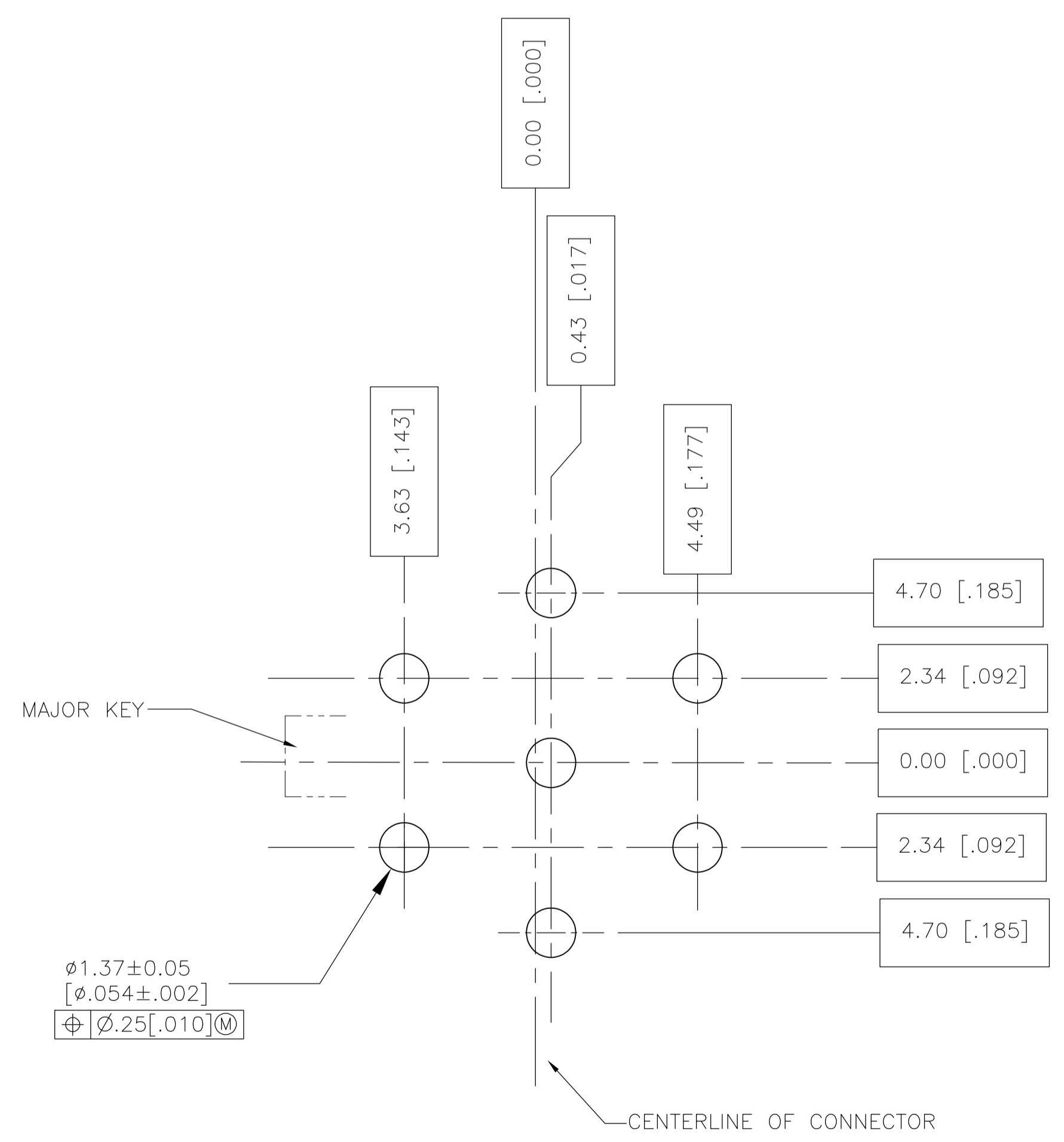
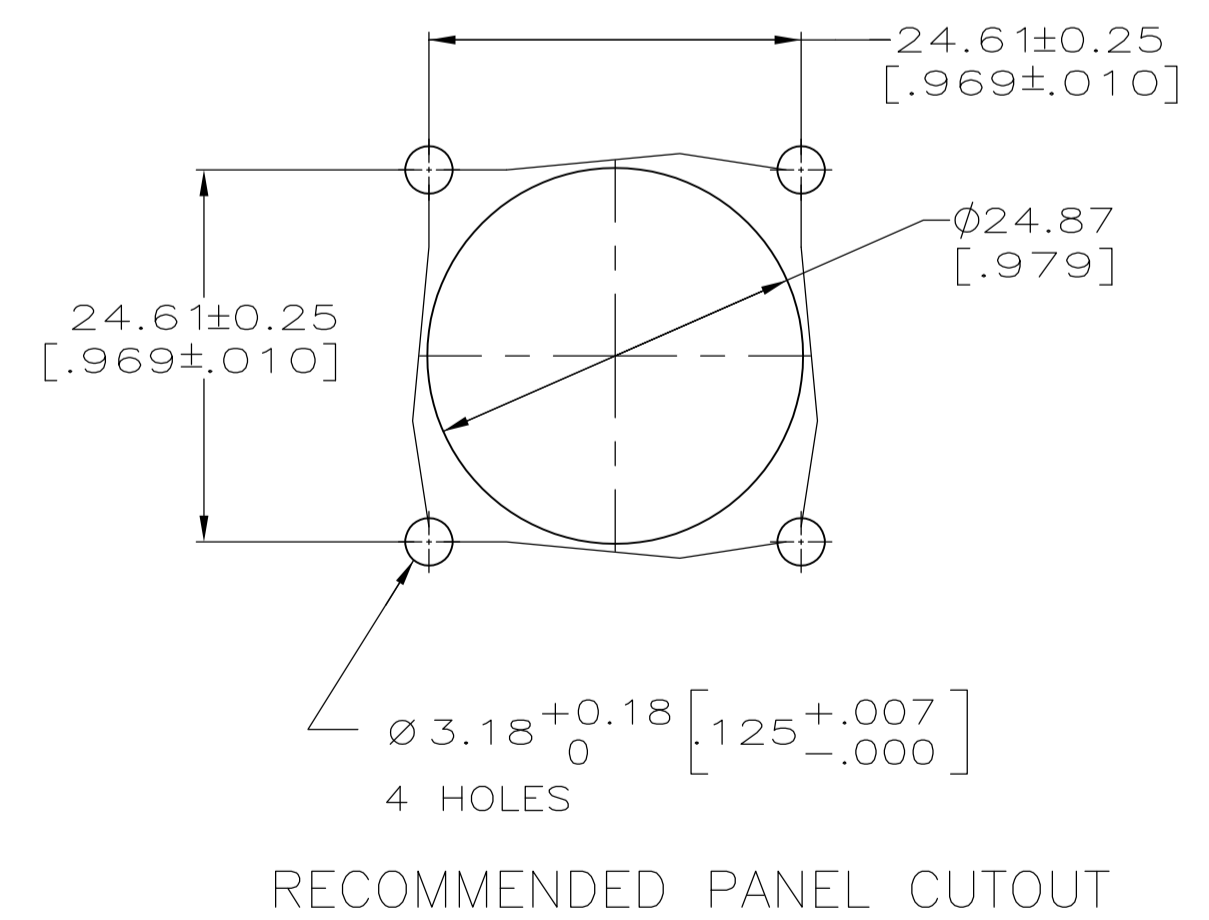
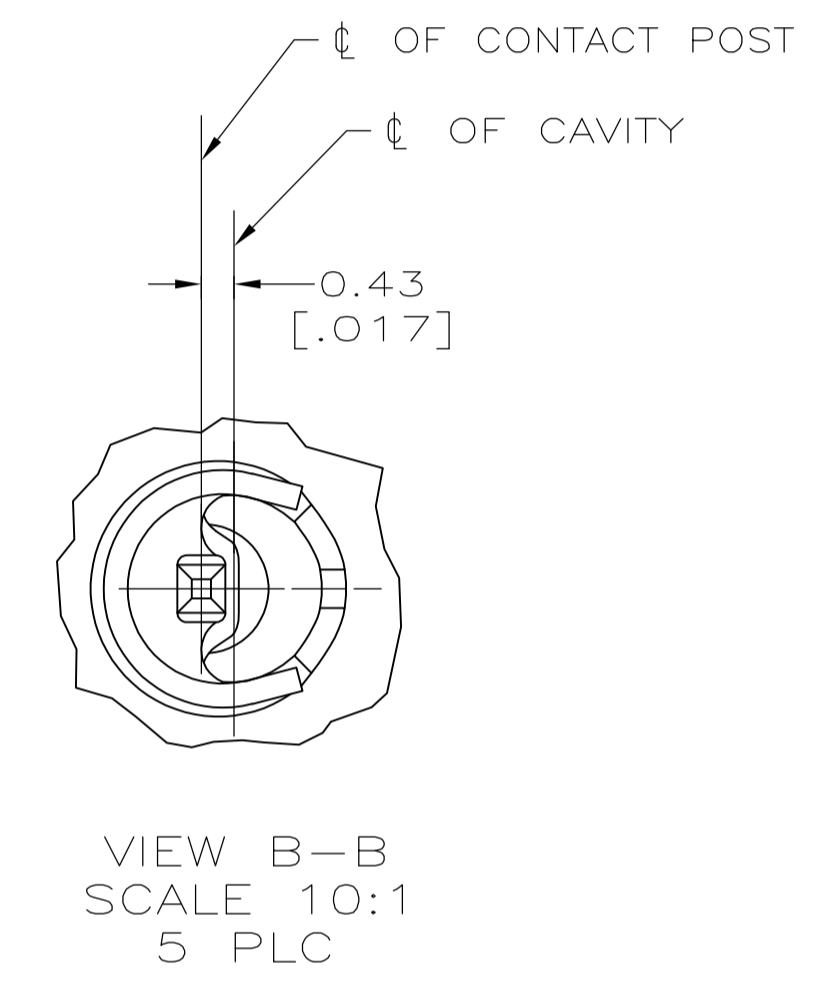


LOC		DIST		REVISIONS			
P	LTR	DATE	DMN	APVD			
A	REVISED PER ECO-14-014457	24SEP2014	NK	MZ			



- 1 CAVITY IDENTIFICATION ON FRONT AND REAR FACE.
- 2 MATERIALS:
 HOUSING: NYLON, UL94 V-0, BLACK
 CONTACT SPRING: STAINLESS STEEL
 CONTACT BODY AND POST: BRASS
 THREADED INSERTS: BRASS
- 3 FINISHES:
 CONTACT BODY: .00076 [.000030] MIN GOLD FOR A LENGTH OF 5.08 [.200] MIN FROM MATING END OF PIN GOLD FLASH ON REMAINDER OF CONTACT. BOTH OVER .00127 [.000050] MIN NICKEL
 CONTACT POST: .00254 [.000100] MIN TIN OVER .00127 [.000050] MIN NICKEL.



RECOMMENDED BOARD LAYOUT
 SCALE: 4:1

2267121-1
 PART NUMBER

THIS DRAWING IS A CONTROLLED DOCUMENT.		DIN NAGALAKSHMI_K 30MAY2014		STE TE Connectivity	
DIMENSIONS: mm [INCHES]		TOLERANCES UNLESS OTHERWISE SPECIFIED:		ZITTO, MARK 30MAY2014	
0 PLC ± -		1 PLC ± -		ZITTO, MARK 30MAY2014	
2 PLC ± ± 0.13[.005]		3 PLC ± -		NAME	
4 PLC ± -		ANGLES ± -		PRODUCT SPEC	
				108-10024	
				APPLICATION SPEC	
				114-10038	
MATERIAL		FINISH		SIZE CASE CODE DRAWING NO	
2		3		A1 00779 C=2267121	
CUSTOMER DRAWING		SCALE 2:1		RESTRICTED TO	
		SHEET 1 OF 1		REV A	