

**PLEASE CHECK WWW.MOLEX.COM FOR LATEST PART INFORMATION**

**Part Number:** [62100-8700](#)  
**Status:** **Active**  
**Description:** Removal Tool for 12.5 Gbps Module, 170 Circuits

**Documents:**  
[RoHS Certificate of Compliance \(PDF\)](#)

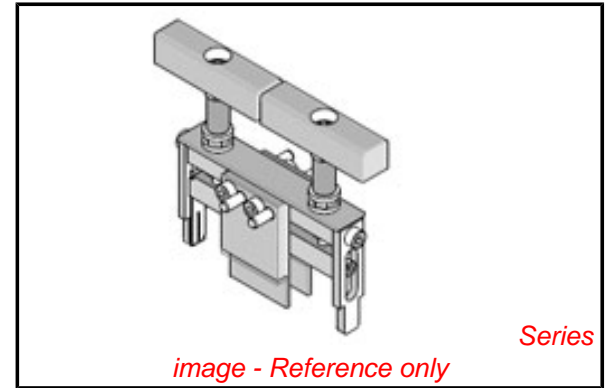
**General**

Product Family	Application Tooling
Series	<a href="#">T3002</a>
Comments	See Tooling Specification (PDF) Above
Function	Extraction
Geographic Area	Global
Level of Automation	Manual
More Detailed Tech Information	<a href="mailto:applicationtooling@molex.com">applicationtooling@molex.com</a>
Product Name	N/A
Survey	<a href="http://www.molex.com//review/apptool_survey.html">www.molex.com//review/apptool_survey.html</a>
Tool Type	Handtool
UPC	883906916916

**Material Info**

**Reference - Drawing Numbers**

Application Tooling Documents	ATS-621008700
-------------------------------	---------------



<b>EU RoHS</b>	<b>China RoHS</b>
----------------	-------------------

**Compliance Status**

**Not Reviewed**

**REACH SVHC**

**Not Reviewed**

**Low-Halogen Status**

**Not Reviewed**

**Need more information on product environmental compliance?**

Email [productcompliance@molex.com](mailto:productcompliance@molex.com)  
 For a multiple part number RoHS Certificate of Compliance, [click here](#)

Please visit the [Contact Us](#) section for any non-product compliance questions.

**Search Parts in this Series**

[T3002Series](#)

**Use With**

[76693 EdgeLine® 12.5 Gbps Edge Card Connector](#)

<b>Application Tooling Description</b>	<b>FAQ Product #</b>
--	----------------------

0.80 mm Pitch EdgeLine® 12.5 Gbps Edge Card Connector, 170 Circuits, PCB Mating Thickness 2.36mm	0766931170
--	------------

0.80 mm Pitch EdgeLine® 12.5 Gbps Edge Card Connector, 170 Circuits, PCB Mating Thickness 2.36mm, 1 Bay	0766933170
---	------------

Connector, 170  
Circuits, 1 Bay, PCB  
Mating Thickness  
2.36mm

This document was generated on 03/08/2013

**PLEASE CHECK [WWW.MOLEX.COM](http://WWW.MOLEX.COM) FOR LATEST PART INFORMATION**