

PART NAME: LEG ASSEMBLY    SCALE: 1:1    DATE: 1/16/89    DR. BY HD

THIS DRAWING IS THE PROPERTY OF DAVIES MOLDING COMPANY, IS SUBMITTED SOLELY AS A DESIGN OR ENGINEERING PROJECT. WE ACCEPT NO RESPONSIBILITY WHATSOEVER FOR THE PRACTICAL APPLICATION OF THE PIECES MADE TO THIS DESIGN.

DAVIES MOLDING COMPANY

CAROL STREAM, ILLINOIS 60188

CAD/REDRAWN : 6/28/95 : HD

P/N 8540

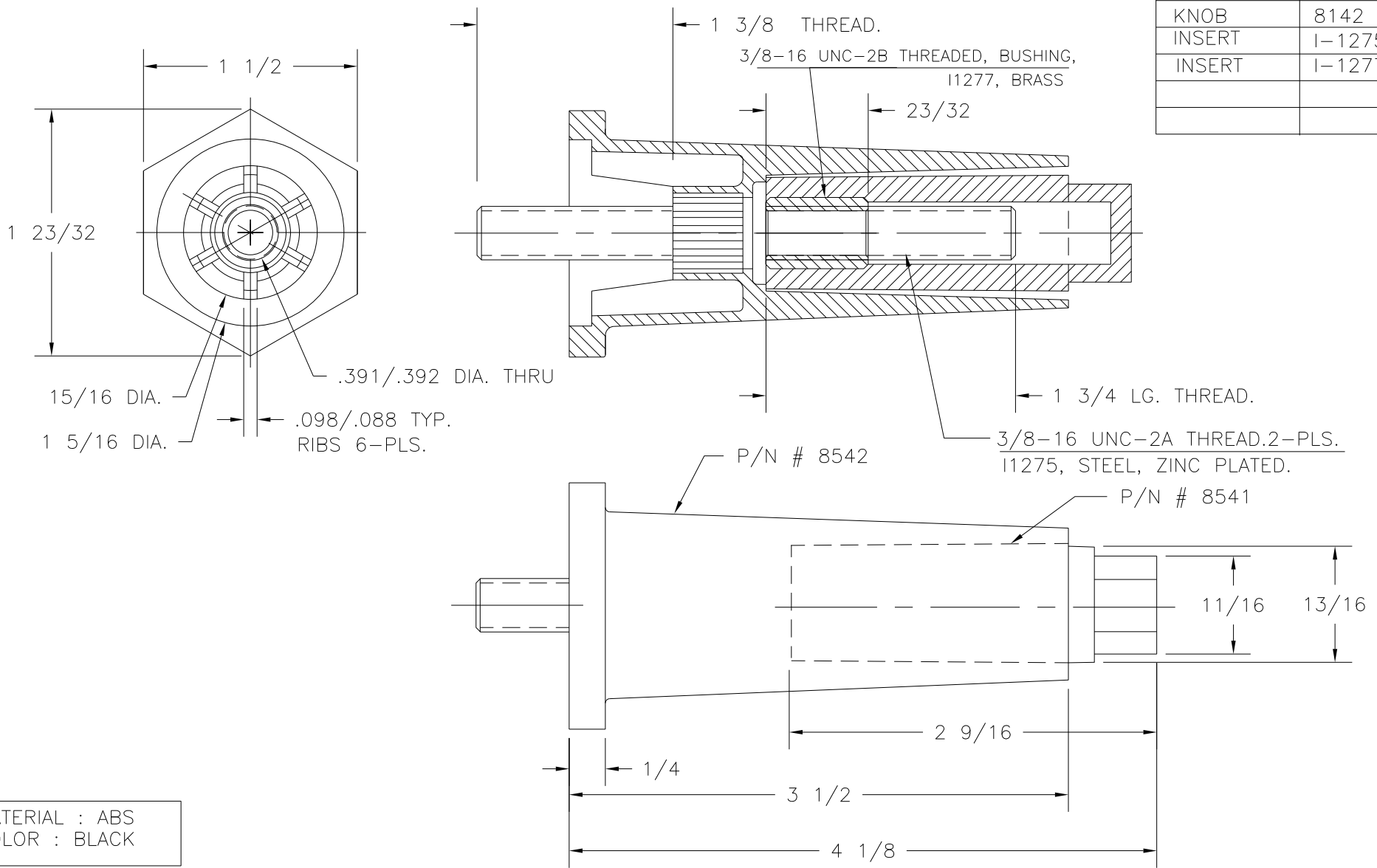
M NO. # 50

KNOB 8141

KNOB 8142

INSERT 1-1275

INSERT 1-1277



MATERIAL : ABS  
COLOR : BLACK

NOTE : LEG ASSEMBLY MUST BE COMPLETED IN FINISHING DEPARTMENT.

TOLERANCES: UNLESS OTHERWISE SPECIFIED	DO NOT SCALE DRAWING			
DECIMALS: X.XXX ± .005 X.XX ± .015	MM: X.XX ± 0.15MM X.X ± 0.4MM	-	CAD/REDRAWN & UPDATED DWG.	HD 6/28/95
FRACTIONS ± 1/64	ANG. ± 1°	CHANGES		