

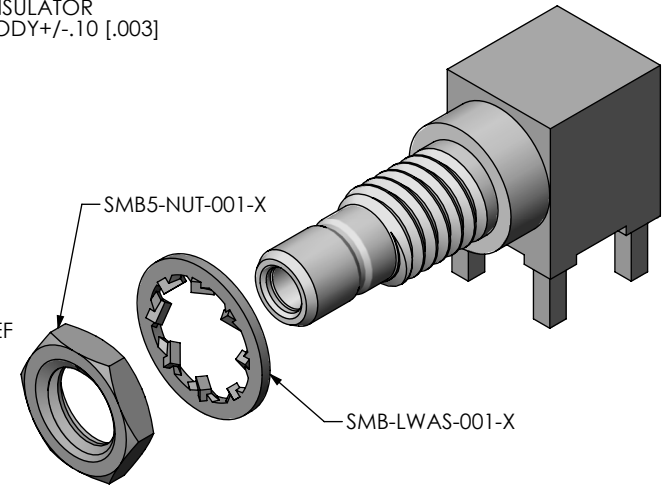
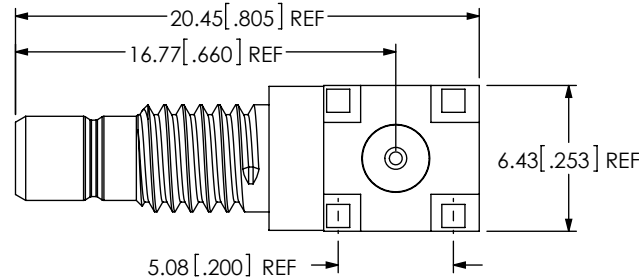
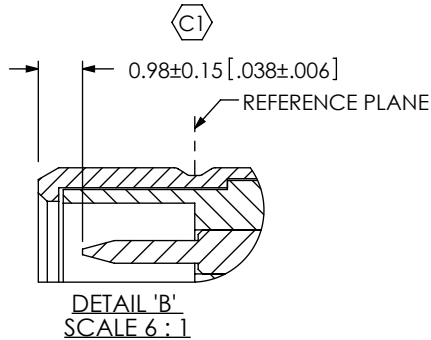
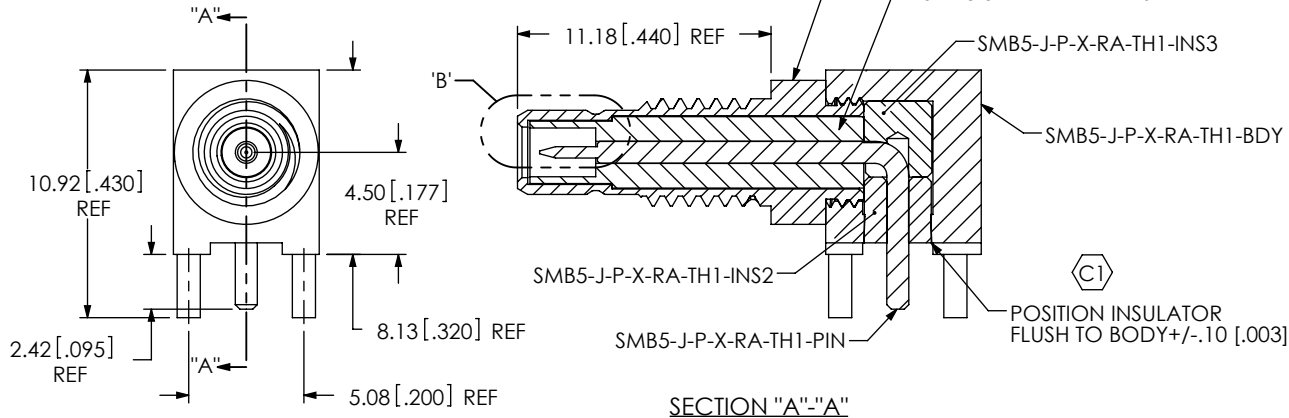
DESIGNED & DIMENSIONED
IN MILLIMETERS [INCHES]

DO NOT
SCALE FROM
THIS PRINT

SMB5-J-P-XX-RA-TH1

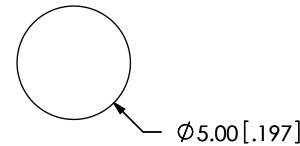
GENDER
-J: JACK
TERMINATION
-TH1: THROUGH HOLE
TYPE
-P: PCB
ORIENTATION
-RA: RIGHT ANGLE

PLATING SPECIFICATION
(VALUES GIVEN ARE IN MICRO-INCHES)
-HN: HEAVY GOLD / NICKEL
30 Au / 50 Ni MIN ON PIN
3 Au / 50 Ni MIN ON OUTER CONTACT
100 Ni ON BODY
-H: HEAVY GOLD
30 Au / 50 Ni MIN ON PIN
3 Au / 50 Ni MIN ON OUTER CONTACT
AND BODY
(SEE TABLE 1)

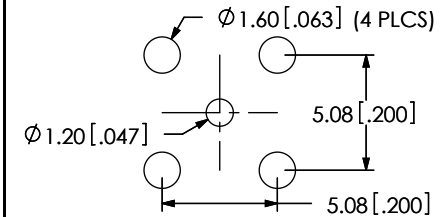


ITEM	COMPONENT	-HN	-H
1	SHELL	SMB5-J-P-F-RA-TH1-SHL	
2	PIN	SMB5-J-P-H-RA-TH1-PIN	
3	BODY	SMB5-J-P-N-RA-TH1-BDY	SMB5-J-P-F-RA-TH1-BDY
4	INSULATOR 1	SMB5-J-P-RA-TH1-INS1	
5	INSULATOR 2	SMB5-J-P-RA-TH1-INS2	
6	INSULATOR 3	SMB5-J-P-RA-TH1-INS3	

RECOMMENDED MOUNTING HOLE
3.81 [.150] MAX. PANEL THICKNESS



RECOMMENDED PCB LAYOUT



NOTES:

- ⊕ REPRESENTS A CRITICAL DIMENSION.
- PUSHOUT FORCE FOR INSULATOR: 17.79 N [4.0 LB] MIN.
- PARTS TO BE PACKAGED IN TRAYS; IF QUANTITY IS LESS THAN HALF TRAY, PRODUCT TO BE PACKAGED PER PACKAGING STANDARD CO-RF-WI-3040-M.
- RoHS COMPLIANT.

UNLESS OTHERWISE SPECIFIED,
DIMENSIONS ARE IN
MILLIMETERS [INCHES].
TOLERANCES ARE:
DECIMALS ANGLES
.X: ±0.3 [.01] 5°
.XX: ±0.13 [.005]
.XXX: ±0.051 [.0020]

PROPRIETARY NOTE
THIS DOCUMENT CONTAINS CONFIDENTIAL AND
PROPRIETARY INFORMATION AND ALL DESIGN,
MANUFACTURING, REPRODUCTION, USE, PATENT RIGHTS
AND SALES RIGHTS ARE EXPRESSLY RESERVED BY SAMTEC,
INC. THIS DOCUMENT SHALL NOT BE DISCLOSED, IN WHOLE
OR PART, TO ANY UNAUTHORIZED PERSON OR ENTITY NOR
REPRODUCED, TRANSFERRED OR INCORPORATED IN ANY
OTHER PROJECT IN ANY MANNER WITHOUT THE EXPRESS
WRITTEN CONSENT OF SAMTEC, INC.

MATERIAL: DO NOT SCALE DRAWING SHEET SCALE: 1:0.333333

DESCRIPTION:
SMB5 RIGHT ANGLE, THOUGH HOLE- 50 OHM

DWG. NO.

SMB5-J-P-XX-RA-TH1

BY: G. HERMAN 03/20/2008 SHEET 1 OF 1



520 PARK EAST BLVD, NEW ALBANY, IN 47150
PHONE: 812-944-6733 FAX: 812-948-5047
e-Mail: info@SAMTEC.com code: 55322