

Evaluation Kit

APPLICABLE PARTS (SOLD SEPARATELY)

- PA01
- PA10
- PA12
- PA51
- PA61
- PA73
- PA119

INTRODUCTION

This easy to use kit provides a platform with good circuit board layout and grounding to evaluate Power Amplifiers PA01, PA10, PA12, PA51, PA61, PA73 and PA119. With additional prototype area, it is flexible enough to analyze a multitude of standard or proprietary circuit configurations. All components are provided with the kit. Similar circuitry is used for evaluation and the circuit for a particular package can be changed using jumpers. External connections to the evaluation kit can be made through the connectors at the edges of the circuit. The circuit provides a line termination of 50Ω.

All the Power amplifiers are configured for a gain of 21. This evaluation kit provides flexibility for modifying the gain, in inverting or non-inverting mode and for using a differential amplifier configuration.

Figure 1: EK31 Circuit Configuration Diagram

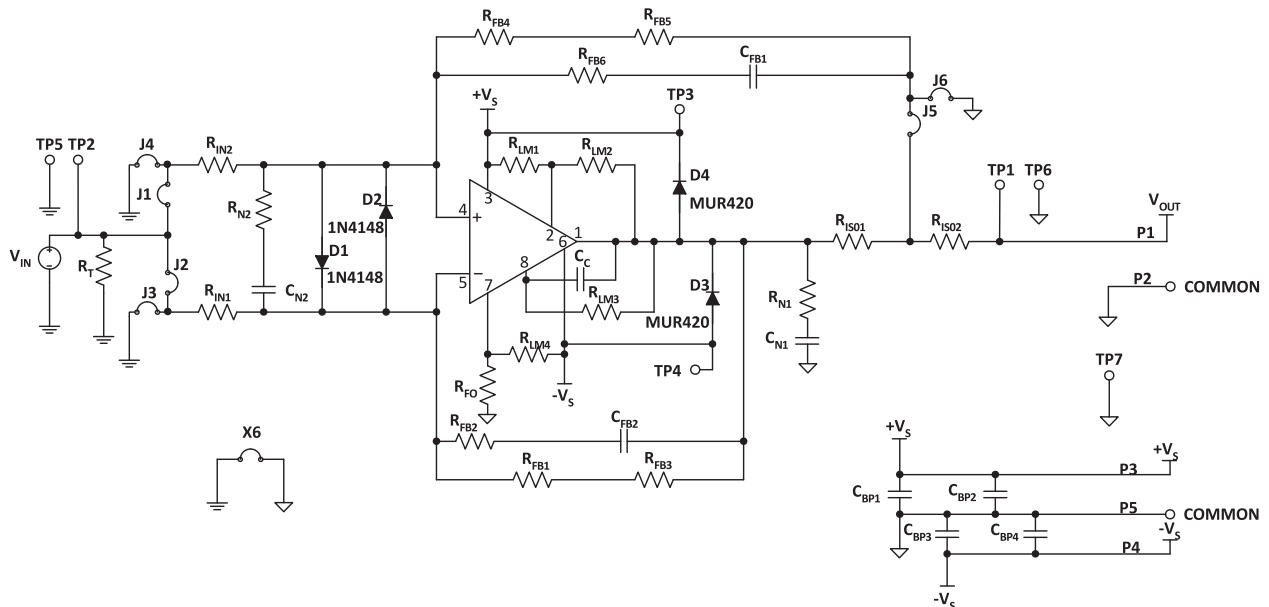


Figure 2: PA01, PA10, PA12, PA51, PA61, PA73 Circuit Configuration Diagram

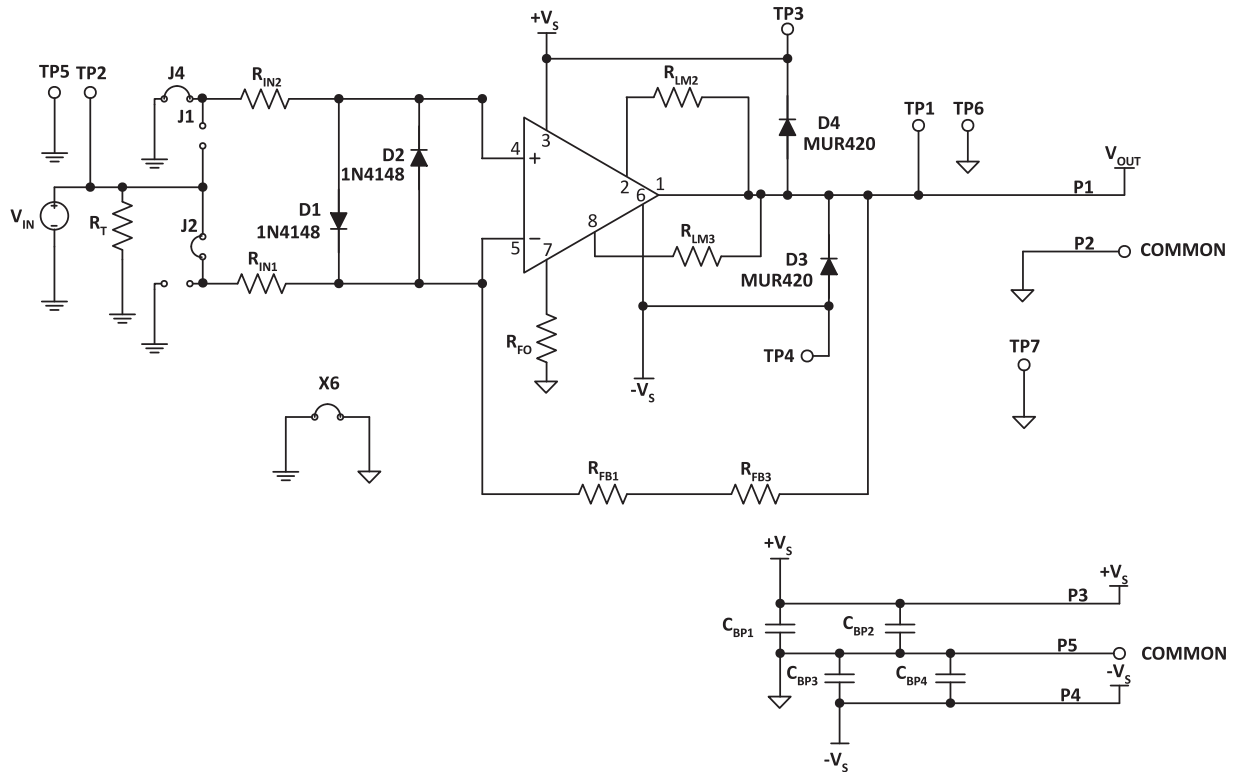


Figure 3: PA119 Circuit Configuration Diagram

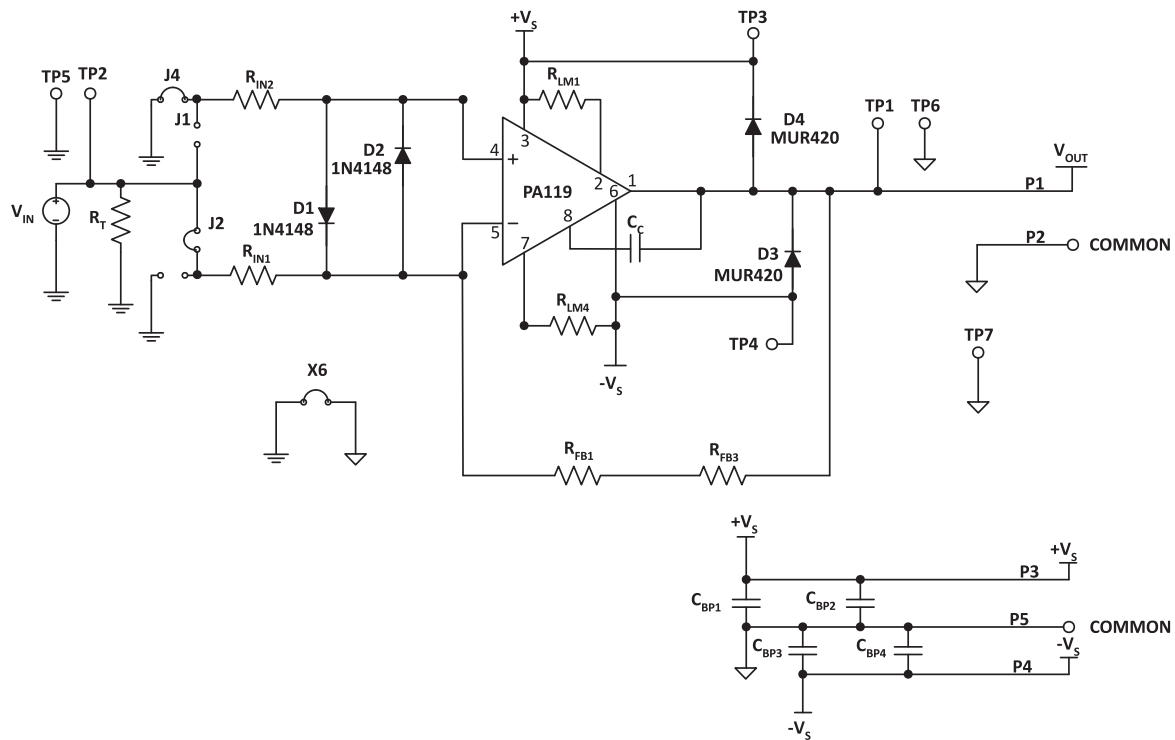
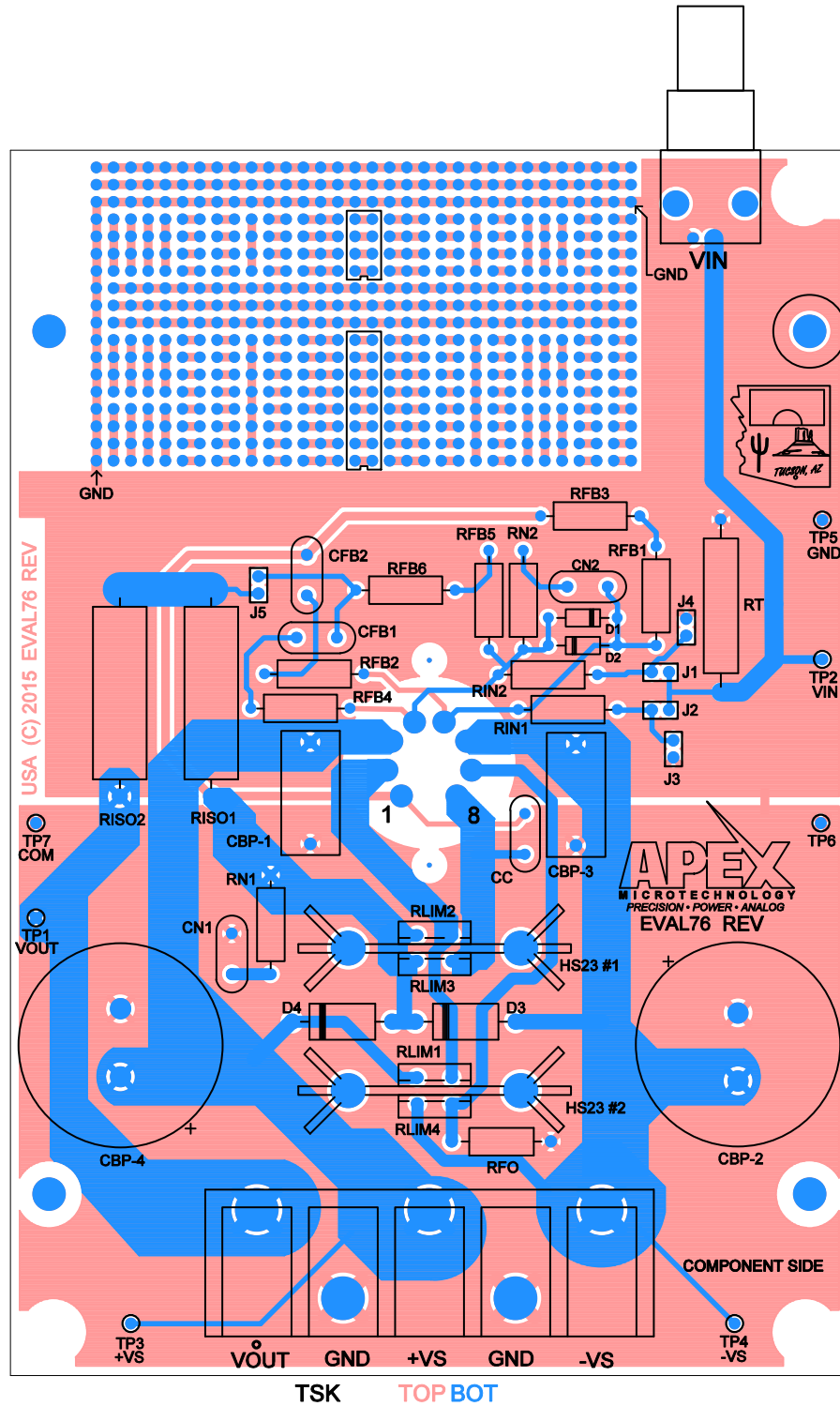


Figure 4: EVAL 76 PCB Layout



PARTS LIST

Reference	Manufacturer Part #	Description	QTY
<u>Resistors</u>			
RT	PR03000205109JAC00	51Ω, 3W, 5%	1
RIN-1, RIN-2	RN60D1801FB14	1.8KΩ, 1/4W, 1%	2
RFB1-B, RFB3-B	RN60D1802FB14	18KΩ, 1/4W, 1%	2
RLIMA ¹	MP930-.10-1%	0.1Ω, 30W, 1%	2
RLIMB ²	MP930-.2-1%	0.2Ω, 30 W, 1%	2
RISO-1, RISO-2	N/A	0Ω, Wire Jumper	2
<p>1. RLIMA is used for PA12, PA51, and PA61. 2. RLIMB is used for PA01, PA10, PA73, and PA119.</p>			
<u>Printed Circuit Boards</u>			
Eval 76	EVAL76	Printed Circuit Board	1
<u>Capacitors</u>			
CBP-2, CBP-4	338-1537-ND	ALUM, 2200uF	2
CBP-1, CBP-3	QXP2E105KRPT	FILM, 1uF, 250DC	2
CC ¹	CD15ED220J03F	MICA, 22 pF, 500VDC	1
<p>1. CC is used only for PA119.</p>			
<u>Diodes</u>			
D1, D2	1N4148-T	Switching Diode	2
D3, D4	MUR420RLG	Rectifier, Ultra Fast	2
<u>Hardware</u>			
	HS13	Heat Sink For Amplifier	1
	HS23	Heat Sink For RLIM	1
	TW03	Thermal Washer (PACK Of 10 PCS)	1
	MS03	Socket, TO-3	1
	146510CJ	BNC Connector, PC Mount	1
	91735A190	Screw, Panhead, #8 X 0.25"	4
	91735A192	Screw, Panhead, #8 X 0.375"	4
	91841A009	Nut, Hex, #8	4
	8426	Spacer, Hex, With Stud, #8 X 0.375"	4
	8413	Spacer, Hex, With Stud, #6 X 0.375"	4
	2221	Standoff, HEX, #8 X 2.00"	4
	91735A151	Screw, Panhead, #6 X 0.75"	3
	91841A007	Nut, Hex, #6 X 5/16"	3
	38660-7805	Terminal Strip	1

Reference	Manufacturer Part #	Description	QTY
Miscellaneous			
	TFT20018 NA005-6"	Tubing, Teflon, #18AWG, 6 INCHES	1
	SPC02SVJN-RC	Jumper, Slip On	10
	PRPC002SADN-RC	Header, Connector	10
	5001	Test Point, PC Mini	10

BEFORE YOU GET STARTED

- All Apex amplifiers should be handled using proper ESD precautions.
- Always use the heat sink and thermal washers included in this kit.
- Always use adequate power supply bypassing.
- Do not change the connections while the circuit is powered
- Initially set all power supplies to the minimum operation levels allowed in the device data sheet.
- Check for oscillations.
- Please refer to Application note, AN01 for general operating conditions.

ASSEMBLY INSTRUCTIONS

During the assembly, please refer to the circuit schematics, assembly drawings, and the data sheet of the part being used on the evaluation kit.

1. Note that each side of the circuit board is identified as either the component side or the DUT side. The component side has the designators printed on that side.
2. All the components are installed on the component side of the board and soldered on the DUT side.
3. A T0-3 socket (MS03) is supplied with this kit. Using #6 x 0.75" screws (91735A151) provided with the kit, mount the socket from the DUT side of the board. The MS03 socket incorporates two cavities to retain the #6 x 5/16" nuts (91841A007). Insert one #6 nut into each cavity. Make sure the nuts are fully seated into the cavities.
4. Two heat sinks are provided with this kit. Use the larger heat sink (HS13) for the Power amplifiers. Attach the heat sink to the board from the DUT side, using #8 x 0.375" screws (91735A192). Refer to the assembly drawings for the correct way to attach the heat sink. This is done to keep the socket tightly mounted to the board and to provide support, and eliminate stress so that the socket pins do not move while being soldered from the component side. Once the socket pins are soldered, and the socket is now attached to the board, remove the heat sink, and all the screws.
5. First install all the smaller components on the board. This is done because it becomes difficult to install a smaller part on the board once all the larger components are installed.
6. Refer to the **NOTE** below the parts list for components to be included for a specific Power amplifier.
7. Except for RLIMA, RLIMB and CC, all other components are common for the seven Power amplifiers. Install the common components first.
8. Ensure that the orientation of the electrolytic capacitors and the diodes match the circuit schematic drawing.
9. Mount the BNC connector provided with the kit (146510CJ) and solder it to the board. Also mount the terminal strip (TSO1) provided in the kit. Refer to the assembly drawings before mounting the terminal strip.

10. #8 hex stand offs (91841A009) are also provided with the kit. Install the # 8 x 0.25" screws (91735A190), provided with the kit, from the component side. Attach the standoffs to these screws on the corners of the board. Refer to the assembly drawings while installing the standoffs.
11. Refer to parts specific assembly instruction described in the following sections. Connect all the additional parts for the specific amplifier.
12. Insert the power amplifier into the socket and secure with the #6 screws. Cut the Teflon tubing into 8 pieces, each of length 0.121 (1/8 of an inch) inches approximately. These pieces go onto the pins of the Power Amplifier before inserting it into the socket. This is done to insulate the pins from the heat sink and make sure that the PA is tightly fixed into the socket. An Exacto knife works well for this.
Notes: a) The Teflon pieces should not be longer than the suggested length. If the pieces are longer, they may interfere in the seating of the part to the heat sink and create a gap between the heat sink and the part body.
13. Ten thermal washers (TW03) are provided with the kit. The thermal washer is used between the part and the heat sink. A new washer must be used for each mounting. Mount the Power amplifier to the socket using the thermal washer provided with the kit.
14. Connect the external connections via the BNC connector and terminal strip. Hook up power supply and signals as necessary. The amplifier is now ready for testing.
15. Place jumpers J1 and J3 for a non-inverting amplifier. Place jumper J6.

FOR PA01, PA10, PA12, PA51, PA61, AND PA73: (J3 AND J1)

(REFER TO FIGURE 2)

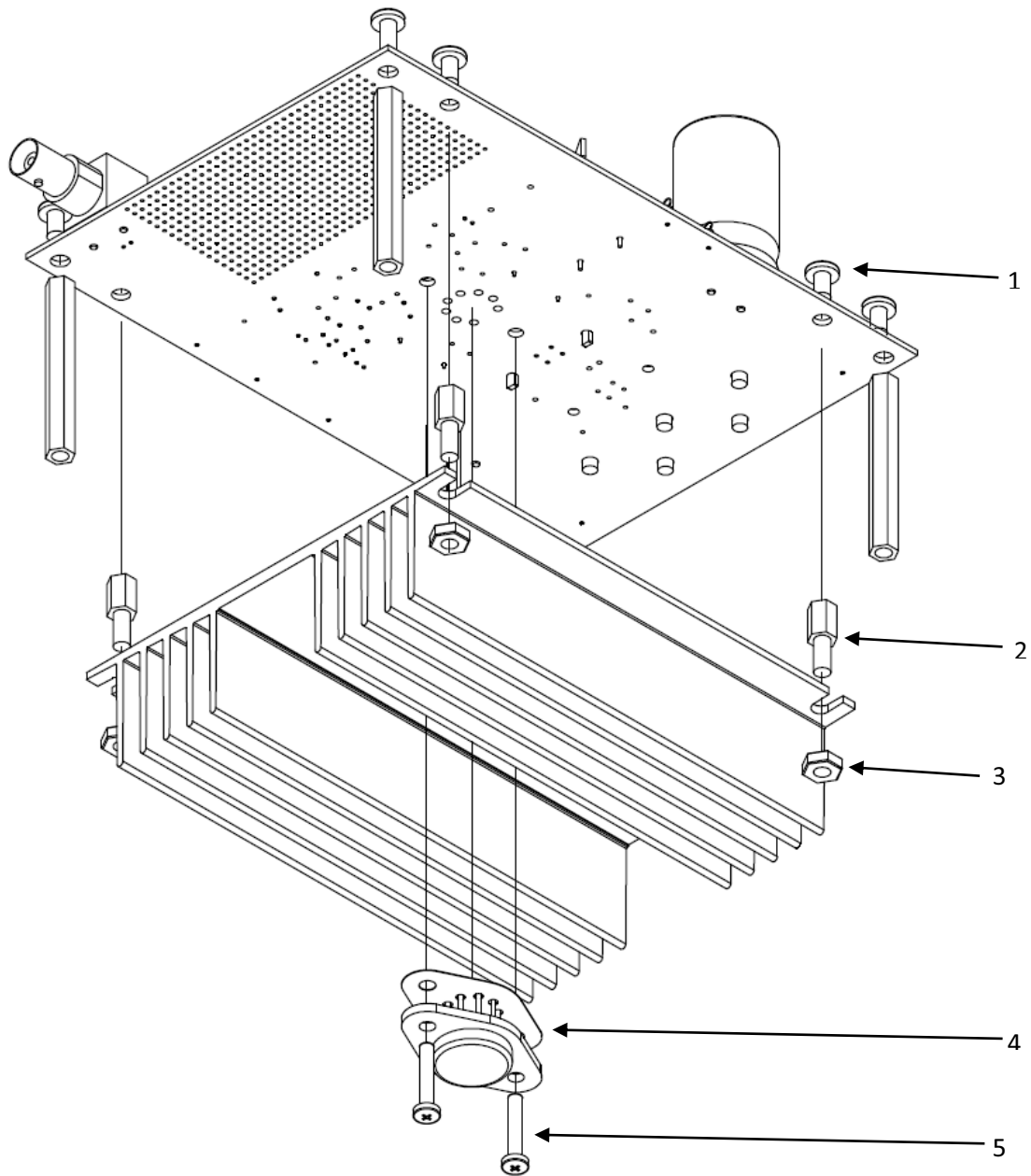
1. For these amplifiers, the current limit resistors (RLIM2 and RLIM3 shown in the schematic) will have equal resistance values.
2. Use resistor RLIMA (for RLIM2 and RLIM3) for PA12, PA51 and PA61. Use RLIMB (for RLIM2 and RLIM3) for PA01, PA10 and PA73.
3. Mount these resistors on both the sides of heat sink HS23, and attach them using a #6x0.75 hex screw and nut. Use the lower hole on the heat sink to mount the resistors.
4. Mount the composite heat sink / resistor assembly on the component side of the board

FOR PA119 (REFER TO TABLE 1 FOR SPECIFIC COMPONENTS)

(REFER TO FIGURE 3)

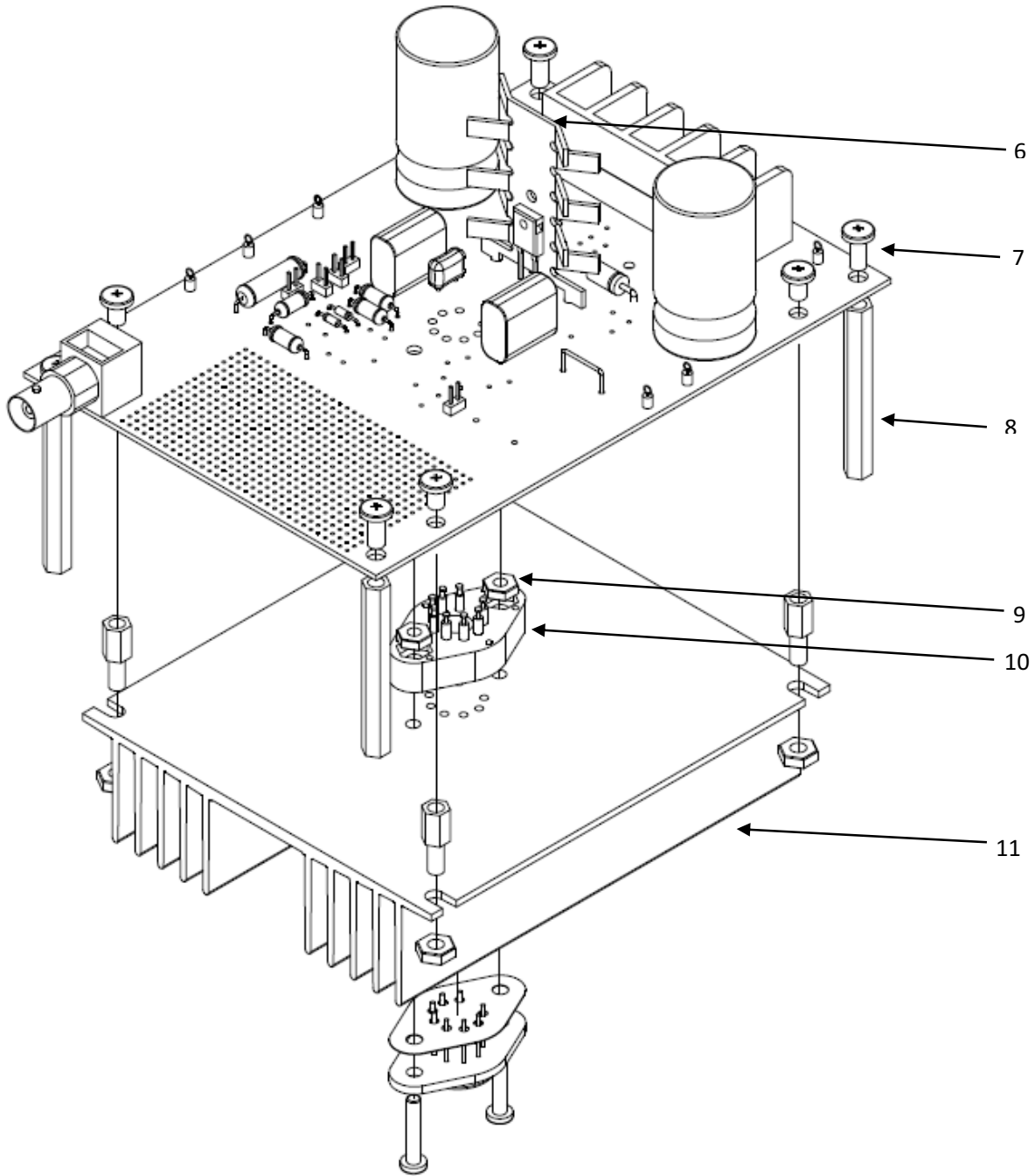
1. Install the compensation capacitor CC, as shown in the schematic.
2. Install resistor RLIMB (0.2Ω) for RLIM1 and RLIM4 shown in the schematic
3. Mount these resistors on both the sides of heat sink HS23, and attach them using a #6x0.75 hex screw and nut. Use the lower hole on the heat sink to mount the resistors.
4. Mount the composite heat sink / resistor assembly on the component side of the board

Figure 5: Bottom View



1. 4 X #8 X 0.25" SCREW
2. 4 X #8 X 0.375" HEX SPACER
3. 4 X #8 HEX NUT
4. 1 X TW03 THERMAL WASHER
5. 2 X #6 X 0.75" SCREW

Figure 6: Top View



- 6. 1 X HS23 HEATSINK
- 7. 4 X #8 X 0.375" HEX SCREW
- 8. 4 X #8 X 2" HEX STANDOFF
- 9. 2 X #6 HEX NUT
- 10. 1 X MS03 SOCKET
- 11. 1 X HS13 HEATSINK

TEST ASSEMBLY

EQUIPMENT NEEDED

1. Power supply
2. Function Generator
3. Oscilloscope
4. Proper heat sinking system (if operating at high current)

TEST SETUP

Connect the power supply to the terminal strip. Connect the BNC cable from the function generator to the BNC connector marked VIN, mounted on the board. Connect the load to the terminals on the terminal strip. Refer to the amplifier datasheet for typical values of input voltage, frequency and supply voltage. Input and output waveforms can be checked on an Oscilloscope by connecting it to the test points mounted on the board. Begin the test with minimum values of input and supply voltage

Note: After everything is connected, switch on the power to the board, and check the socket at each pin without the DUT, for correct voltage / signal at respective pin. Once this is done, plug in the DUT and check for the correct signal.

TEST RESULTS

Figure 7 shows input (yellow waveform) and output (blue waveform) waveforms for a PA12 power amplifier connected to a resistive load. The part was tested for an input voltage of 3V p-p, at 10 kHz frequency. The supply voltage is set at 90 V p-p. At a gain of 21, an output voltage of 63 V p-p can be observed (blue waveform). Figure 8 shows the output load current for the PA12 power amplifier. A resistive load of 8 Ω was connected to the output of the amplifier. In figure 8, the output waveform (blue waveform) represents the output current of 6 Amps p-p.

Figure 7: Voltage Waveforms for PA12

