

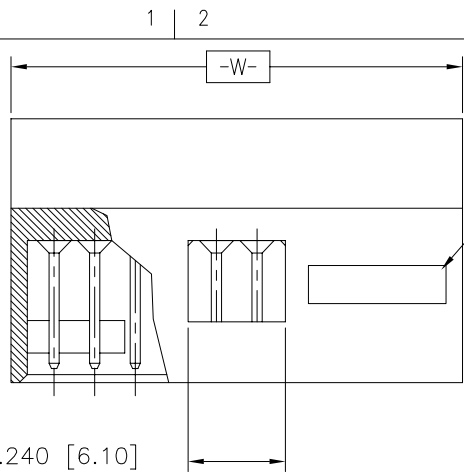
Tous droits strictement reserves. Reproduction ou communication a des tiers interdite sous quelque forme que ce soit sans autorisation ecrite du proprietaire. Propriete de c FCI. Droits de reproduction FCI.

FCI

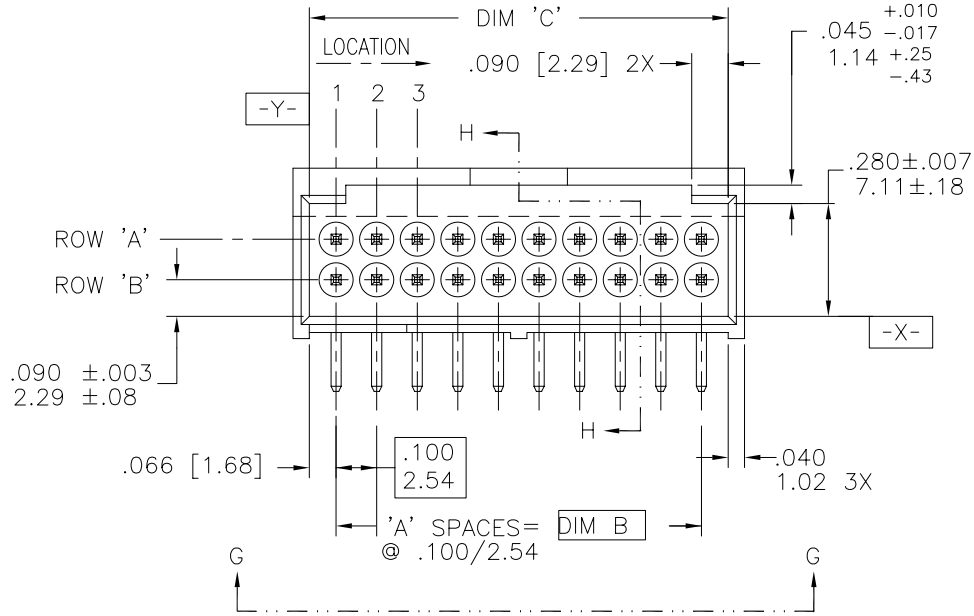
All rights strictly reserved. Reproduction or issue to third parties in any form whatever is not permitted without written authority from the proprietor. Property of FCI. Copyright FCI.

B

PRODUCT NO.  
SEE TABLE

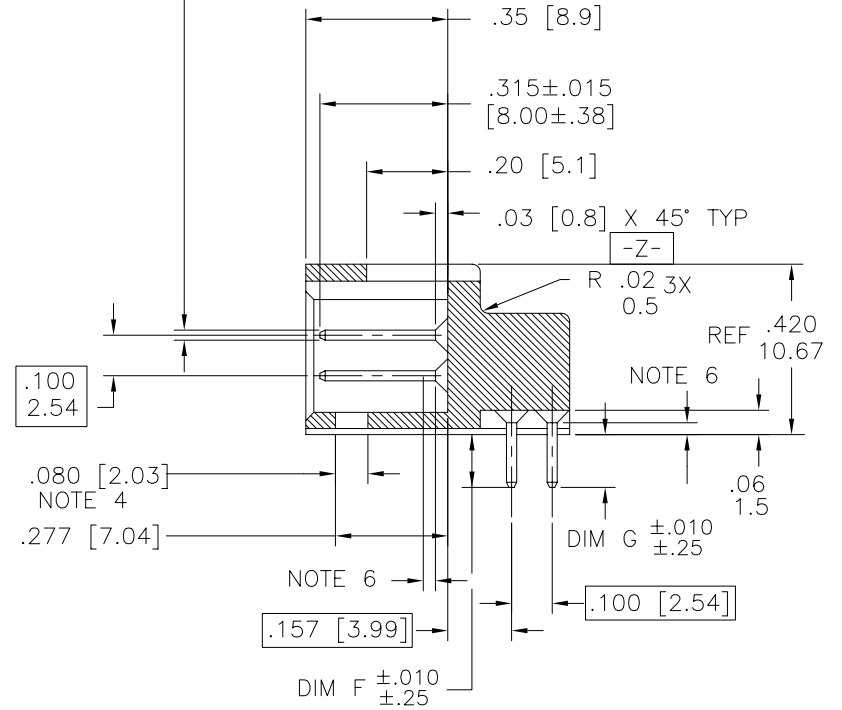


.240 [6.10]  
 $\oplus \ .060/1.52 \ \ominus \ W \ \ominus$



3 | 4

.025 REF.  $\oplus \ \phi \ .015/.38 \ \textcircled{M} \ X \ \textcircled{M} \ Y \ \textcircled{M}$  AT TIP TYP  
 0.64 TYP  $\oplus \ \phi \ .006/.15 \ \textcircled{M} \ X \ \textcircled{M} \ Y \ \textcircled{M}$  AT BASE TYP



mat'l. code _				tolerances unless otherwise specified				CUSTOMER COPY		 www.fciconnect.com	
ltr	ecn no	dr	date	linear	.xx ±.01/.x±.3		projection 	title			
B	REDRAWN	RLS	5/7/90		.xxx ±.005/.xx±.13			R/A HEADER FOR ROUND WIRE RECEPTACLE			
C	M05-0089	MHT	5/26/05	angles	.xxxx ±.0020/.xxx±.051		 INCH/MM scale 1:1	product family HEADERS		code	
					dr	0° ±2°		size/ dwg no		-	
				enr	R. SEIPLE	5/7/90	A		68670	sheet	
				chr	L. HUTTON	5/7/90				1 of 4	
				appd	H.SUNDY	5/7/90					
				appd	H.SUNDY	5/7/90					
sheet index	revision sheet	C	C	C	C	C	C	C	C		
		1	2	3	4						

1 | 2

3 | 4

cage code  
22526

ACAD

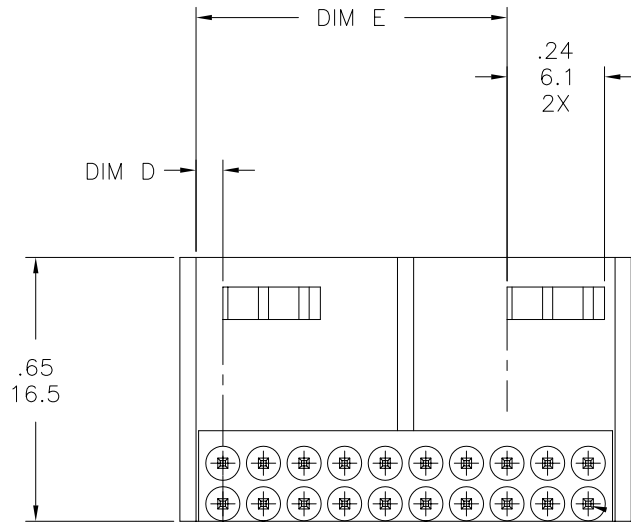
PDM: Rev:C

STATUS Released

Printed: Oct 13, 2010

PRODUCT NO.  
SEE TABLE

Tous droits strictement reserves. Reproduction ou communication a des tiers interdite sous quelque forme que ce soit sans autorisation ecrite du proprietaire. Propriete de c FCI. Droits de reproduction FCI.



VIEW G-G

NOTES:

1. TERMINAL MAT'L: 3/4 HARD PHOS. BRONZE ALLOY UNS-C51000.
2. TERMINAL PLATING; 30μ"/0.76μ PdNi OVER 50μ"/1.27μ Ni PLATING ON SWAGED TIPS MANUFACTURES OPTION.
3. MOLDING MAT'L; GLASS FILLED POLYESTER, FLAME RETARDANT PER UL-94V-0. COLOR BLACK.
- ④. .020/.51 MAX FLASH AROUND ALL WINDOWS.
- ⑤. COMPANY LOGO MOLDED IN ON DATUM SURFACE -Z- APPROX. AS SHOWN.
- ⑥. .030/76 MAX FLASH PERMISSIBLE ON THIS END OF PINS.
7. OTHER PLATINGS ARE AVAILABLE ON 68663,68664 AND 68665.
8. .015/.38 MAX FLASH PERMISSIBLE ON THIS END OF PIN
- ⑨. ADD "LF" SUFFIX AT THE END OF PART NUMBER FOR LEAD FREE OPTION.
10. THE HOUSING WILL WITHSTAND EXPOSURE TO 260°C PEAK TEMPERATURE FOR 15 SECONDS IN A WAVE SOLDER APPLICATION WITH A 1.5mm MINIMUM THICK CIRCUIT BOARD. SEE APPLICATION NOTES/PROCEDURES IF THEY ARE AVAILABLE.
11. THIS PRODUCT MEETS EUROPEAN UNION DIRECTIVES AND OTHER COUNTRY REGULATION AS DESCRIBED IN GS-22-008.

All rights strictly reserved. Reproduction or issue to third parties in any form whatever is not permitted without written authority from the proprietor. Property of FCI. Copyright FCI.

B

A

B

mat'l. code -				tolerances unless otherwise specified			CUSTOMER COPY		 www.fciconnect.com	
ltr	ecn no	dr	date	linear	.xx ±.01/.x±.3		projection 	title		
C					.xxx ±.005/.xx±.13			R/A HEADER FOR ROUND WIRE RECEPTACLE		
					.xxxx ±.0020/.xxx±.051			product family HEADERS code -		
				angles	0° ±2°		INCH/MM 	size/ dwg no		sheet 2 of
				dr	R. SEIPLE	5/7/90		A 68670		
				enr	L. HUTTON	5/7/90				
				chr	H.SUNDY	5/7/90				
				appd	H.SUNDY	5/7/90				
sheet index	revision sheet									

Tous droits strictement reserves. Reproduction ou communication a des tiers interdite sous quelque forme que ce soit sans autorisation ecrite du proprietaire. Propriete de c FCI. Droits de reproduction FCI.

**FCI**

All rights strictly reserved. Reproduction or issue to third parties in any form whatever is not permitted without written authority from the proprietor. Property of FCI. Copyright FCI.

PRODUCT NO NOTE 9	NO OF POS	NO OF PINS	POLARIZED POSITIONS	A SPACES	DIM B	DIM C	DIM D	DIM E	DIM F	DIM G
68670-001	6	6	----	2	.200/5.08	.332/8.43	.066/1.68	----	.130/3.30	.130/3.30
68670-002	8	8	----	3	.300/7.62	.432/10.97	.066/1.68	----		
68670-003	10	10	----	4	.400/10.16	.532/13.52	.166/4.22	----		
68670-004	12	12	----	5	.500/12.70	.632/16.05	.166/4.22	----		
68670-005	14	14	----	6	.600/15.24	.732/18.59	.266/6.76	----		
68670-006	16	16	----	7	.700/17.78	.832/21.13	.266/6.76	----		
68670-007	18	18	----	8	.800/20.32	.932/23.67	.366/9.30	----		
68670-008	20	20	----	9	.900/22.86	1.032/26.21	.066/1.68	.766/19.46		
68670-009	22	22	----	10	1.000/25.40	1.132/28.75		.866/22.00		
68670-010	24	24	----	11	1.100/27.94	1.232/31.29		.966/24.54		
68670-011	26	26	----	12	1.200/30.48	1.332/33.83		1.066/27.08		
68670-012	28	28	----	13	1.300/33.02	1.432/36.37		1.166/29.62		
68670-013	30	30	----	14	1.400/35.56	1.532/38.91		1.266/32.16		
68670-014	32	32	----	15	1.500/38.10	1.632/41.45		1.366/34.70		
68670-015	34	34	----	16	1.600/40.64	1.732/43.99		1.466/37.24		
68670-016	36	36	----	17	1.700/43.18	1.832/46.53		1.566/39.78		
68670-017	38	38	----	18	1.800/45.72	1.932/49.07		1.666/42.32		
68670-018	40	40	----	19	1.900/48.26	2.032/51.61		1.766/44.86		
68670-019	42	42	----	20	2.000/50.80	2.132/54.15		1.866/47.40		
68670-020	44	44	----	21	2.100/53.34	2.232/56.69		1.966/49.94		
68670-021	46	46	----	22	2.200/55.88	2.332/59.23		2.066/52.48		
68670-022	48	48	----	23	2.300/58.42	2.432/61.77		2.166/55.02		
68670-023	50	50	----	24	2.400/60.96	2.532/64.31		2.266/57.56		
68670-024	52	52	----	25	2.500/63.50	2.632/66.85		2.366/60.10		
68670-025	54	54	----	26	2.600/66.04	2.732/69.39		2.466/62.64		
68670-026	56	56	----	27	2.700/68.58	2.832/71.93		2.566/65.18		
68670-027	58	58	----	28	2.800/71.12	2.932/74.47		2.666/67.20		
68670-028	60	60	----	29	2.900/73.66	3.032/77.01		2.766/70.26		
68670-029	62	62	----	30	3.000/76.20	3.132/79.55		2.866/72.80		
68670-030	64	64	----	31	3.100/78.74	3.232/89.09		2.966/75.34		
68670-031	66	66	----	32	3.200/81.28	3.332/84.63		3.066/77.88		
68670-032	68	68	----	33	3.300/83.82	3.432/87.17		3.166/80.42		
68670-033	70	70	----	34	3.400/86.36	3.532/89.71		3.266/82.96		
68670-034	72	72	----	35	3.500/88.90	3.632/92.25		3.366/85.50	.130/3.30	.130/3.30
68670-035	6	6	----	2	.200/5.08	.332/8.43		----	.200/5.08	.200/5.08
68670-036	8	8	----	3	.300/7.62	.432/10.97	.066/1.68	----		
68670-037	10	10	----	4	.400/10.16	.532/13.52	.166/4.22	----		
68670-038	12	12	----	5	.500/12.70	.632/16.05	.166/4.22	----		
68670-039	14	14	----	6	.600/15.24	.732/18.59	.266/6.76	----		
68670-040	16	16	----	7	.700/17.78	.832/21.13	.266/6.76	----		
68670-041	18	18	----	8	.800/20.32	.932/23.67	.366/9.30	----		
68670-042	20	20	----	9	.900/22.86	1.032/26.21	.066/1.68	.766/19.46		
68670-043	22	22	----	10	1.000/25.40	1.132/28.75	.066/1.68	.866/22.00		
68670-044	24	24	----	11	1.100/27.94	1.232/31.29	.066/1.68	.966/24.54		
68670-045	26	26	----	12	1.200/30.48	1.332/33.83	.066/1.68	1.066/27.08	.200/5.08	.200/5.08

mat'l. code				tolerances unless otherwise specified			CUSTOMER COPY		<b>FCI</b> www.fciconnect.com	
ltr	ecn no	dr	date	linear	.xx ±.01/.x±.3		projection	title		
c					.xxx ±.005/.xx±.13			R/A HEADER FOR ROUND WIRE RECEPTACLE		
				angles	.xxxx ±.0020/.xxx±.051			product family HEADERS		code
					0° ±2°			size/ dwg no		—
				dr	R. SEIPLE	5/7/90	INCH/MM	A		68670
				enr	L. HUTTON	5/7/90		sheet		
				chr	H.SUNDY	5/7/90	scale	1:1		A
				appd	H.SUNDY	5/7/90				
sheet index	revision sheet									

Tous droits strictement reserves. Reproduction ou communication a des tiers interdite sous quelque forme que ce soit sans autorisation ecrite du proprietaire. Propriete de c FCI. Droits de reproduction FCI.

1 | 2

3 |

4

PRODUCT NO NOTE 9	NO OF POS	NO OF PINS	POLARIZED POSITIONS	A SPACES	DIM B	DIM C	DIM D	DIM E	DIM F	DIM G
68670-046	28	28	----	13	1.300/33.02	1.432/36.37	.066/1.68	1.166/29.62	.200/5.08	.200/5.08
68670-047	30	30	----	14	1.400/35.56	1.532/38.91		1.266/32.16		
68670-048	32	32	----	15	1.500/38.10	1.632/41.45		1.366/34.70		
68670-049	34	34	----	16	1.600/40.64	1.732/43.99		1.466/37.24		
68670-050	36	36	----	17	1.700/43.18	1.832/46.53		1.566/39.78		
68670-051	38	38	----	18	1.800/45.72	1.932/49.07		1.666/42.32		
68670-052	40	40	----	19	1.900/48.26	2.032/51.61		1.766/44.86		
68670-053	42	42	----	20	2.000/50.80	2.132/54.15		1.866/47.40		
68670-054	44	44	----	21	2.100/53.34	2.232/56.69		1.966/49.94		
68670-055	46	46	----	22	2.200/55.88	2.332/59.23		2.066/52.48		
68670-056	48	48	----	23	2.300/58.42	2.432/61.77		2.166/55.02		
68670-057	50	50	----	24	2.400/60.96	2.532/64.31		2.266/57.56		
68670-058	52	52	----	25	2.500/63.50	2.632/66.85		2.366/60.10		
68670-059	54	54	----	26	2.600/66.04	2.732/69.39		2.466/62.64		
68670-060	56	56	----	27	2.700/68.58	2.832/71.93		2.566/65.18		
68670-061	58	58	----	28	2.800/71.12	2.932/74.47		2.666/67.20		
68670-062	60	60	----	29	2.900/73.66	3.032/77.01		2.766/70.26		
68670-063	62	62	----	30	3.000/76.20	3.132/79.55		2.866/72.80		
68670-064	64	64	----	31	3.100/78.74	3.232/89.09		2.966/75.34		
68670-065	66	66	----	32	3.200/81.28	3.332/84.63		3.066/77.88		
68670-066	68	68	----	33	3.300/83.82	3.432/87.17		3.166/80.42		
68670-067	70	70	----	34	3.400/86.36	3.532/89.71		3.266/82.96		
68670-068	72	72	----	35	3.500/88.90	3.632/92.25		3.366/85.50	.200/5.08	.200/5.08
68670-069	8	4	A-2,3 B-2,3	3	.300/7.62	.432/10.97		----	.130/3.30	.130/3.30
68670-070	50	50	----	24	2.400/60.96	2.532/64.31		2.266/57.56	.155/3.94	.235/5.97
68670-071	8	6	A-2 B-2	3	.300/7.62	.432/10.97	.066/1.68	----	.130/3.30	.130/3.30

A

A

**A**  
**FCI**

All rights strictly reserved. Reproduction or issue to third parties in any form whatever is not permitted without written authority from the proprietor. Property of FCI. Copyright FCI.


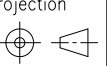
B

B

1 | 2

3 |

4

mat'l. code		-		tolerances unless otherwise specified		CUSTOMER COPY		 www.fciconnect.com		
ltr	ecn no	dr	date	linear	.XX ±.01/.X±.3		projection	title		
C					.XXX ±.005/.XX±.13				R/A HEADER FOR ROUND WIRE RECEPTACLE	
					.XXX ±.0020/.XXX±.051				product family HEADERS	
				angles	0° ±2°		INCH/MM	size  dwg no		
				dr	R. SEIPLE	5/7/90	scale	A		
				enr	L. HUTTON	5/7/90		68670		sheet
				chr	H.SUNDY	5/7/90				4 of
				appd	H.SUNDY	5/7/90	1:1			
sheet index	revision sheet									

ACAD

**PDM: Rev:C**

**STATUS Released**

Printed: Oct 13, 2010

cage code  
22526