

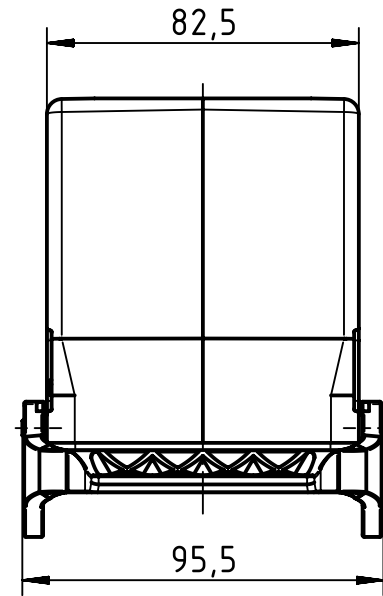
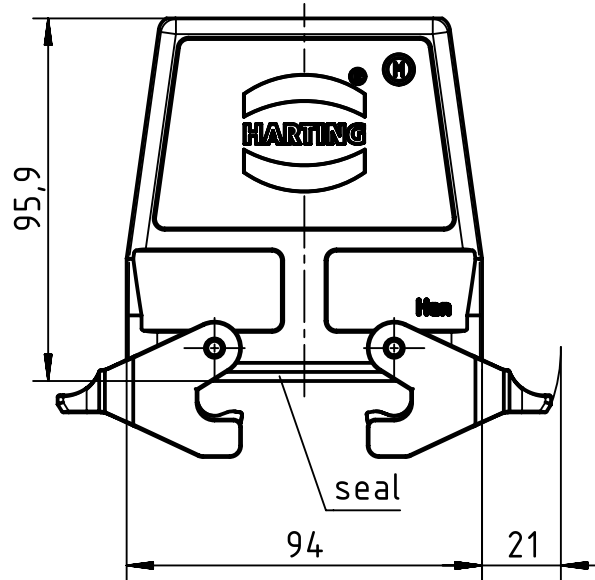
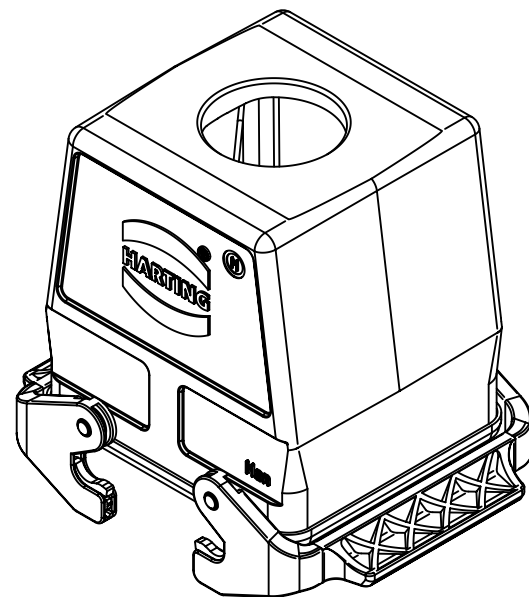
1 2 3 4 5 6

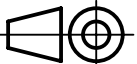

A

B

C

D



 All Dimensions in mm Original Size DIN A4	Scale	Free size tol.			Ref.	
	1:2				Sub. TB 19 30 032 0738 v. 17.02.10	
 All rights reserved Department EL PD - DE	Created by	Inspected by	Standardisation	Date	State	
	HOLLERT	SCHMIDTM	SCHMIDTM	2014-07-09	Final Release	
HARTING Electric GmbH & Co. KG D-32339 Espelkamp	Title				Doc-Key / ECM-Nr.	
	Han 32B-kg-QB-M40				100186155/UGD/004/A 500000074220	
Type		Number			Rev.	Page
TB		19 30 032 0738			A	1/1