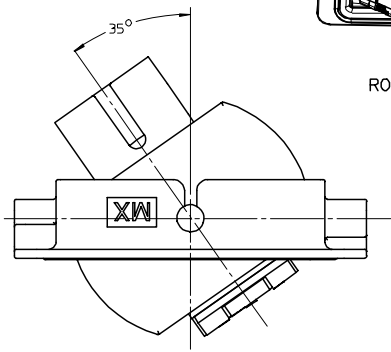
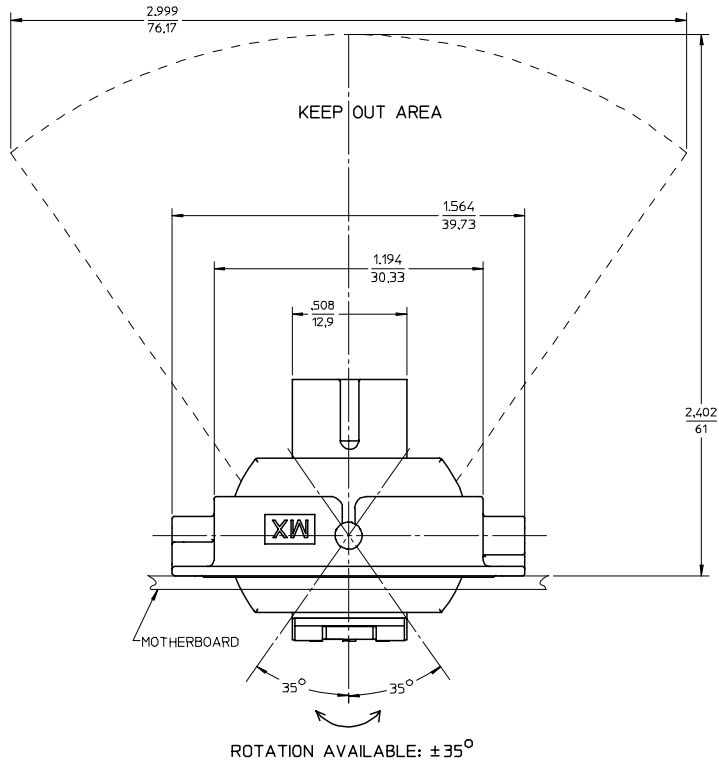
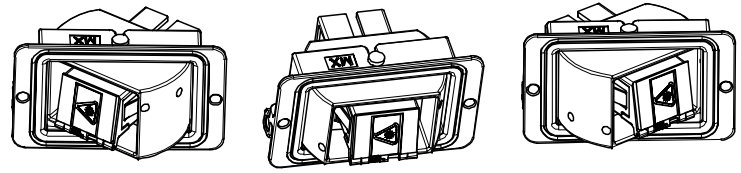


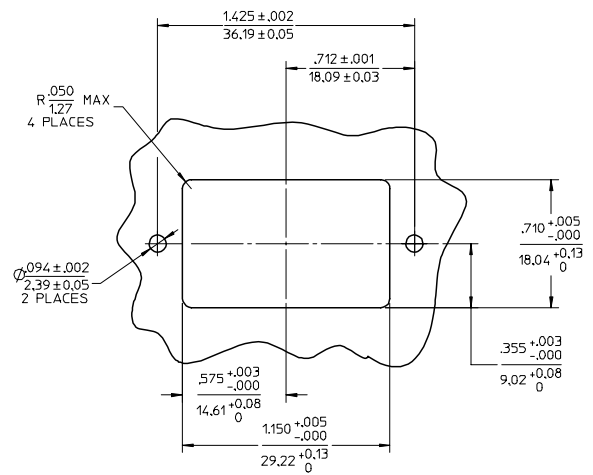
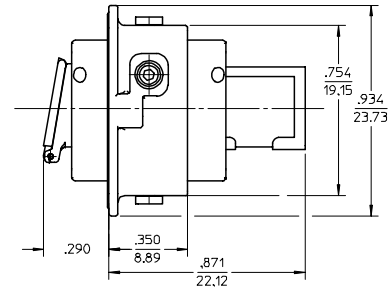
13 12 11 10 9 8 7 6 5 4 3 2 1



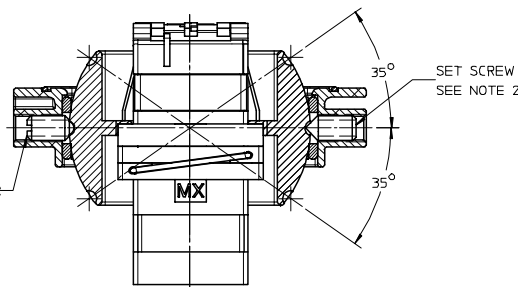
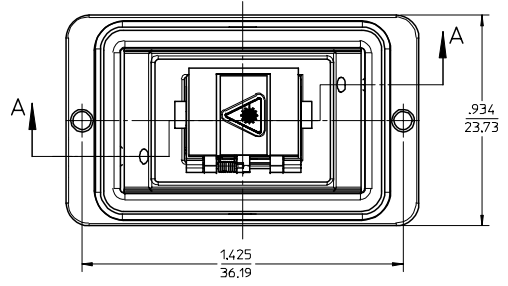
TOP VIEW
ADAPTER ROTATED +35°



ROTATED -35° STRAIGHT POSITION (0°) ROTATED +35°
ISOMETRIC VIEWS
SCALE: 1.5:1



RECOMMENDED MOUNTING PATTERN



SECTION A-A

- NOTES:
 1. ALL DIMENSIONS ARE FOR REFERENCE ONLY.
 2. USE SET SCREW TO FIX SC ADAPTER IN THE REQUIRED POSITION: -35°, 0° OR +35°.
 3. SWIVEL ADAPTER IS ALSO AVAILABLE AS LC, MU AND MP0 VERSIONS.

ENTER DESCRIPTION FC NO: MF2006-0354 DRAWN: PGIBLIN 2005/12/01 CHKD: 2005/12/01 APPR: I GUMIN 2005/12/01 REV: A	QUALITY SYMBOLS ▽=0 ▽=0	GENERAL TOLERANCES (UNLESS SPECIFIED) mm INCH		DIMENSION STYLE INCH ONLY		SCALE 2.5:1	DESIGN UNITS INCH	THIRD ANGLE PROJECTION		
		4 PLACES ± --- ± ---	3 PLACES ± --- ± ---	2 PLACES ± --- ± ---	1 PLACE ± --- ± ---	DRAWN BY PGIBLIN	DATE 2005/10/31	TITLE SC SWIVEL ADAPTER BALL PLUNGER/SET SCREW VERSION		
		ANGULAR ±1/2°				APPROVED BY	DATE	MOLEX INCORPORATED		
		DRAFT WHERE APPLICABLE MUST REMAIN WITHIN DIMENSIONS				MATERIAL NO. 1061169500	DOCUMENT NO. SD-106116-9500	SHEET NO. 1 OF 1		

12 11 10 9 8 7 6 5 4 3 2 1