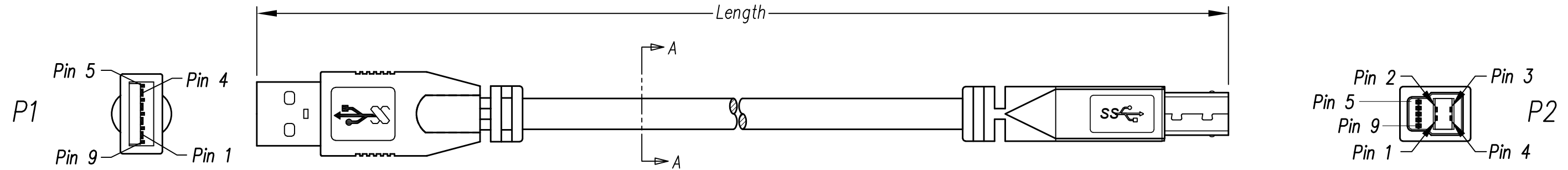


DATE	REV	ECN	APP'D. BY
08/31/17	A0	Released	JRC
09/18/2017	A1	11095	GWL



**Notes:**

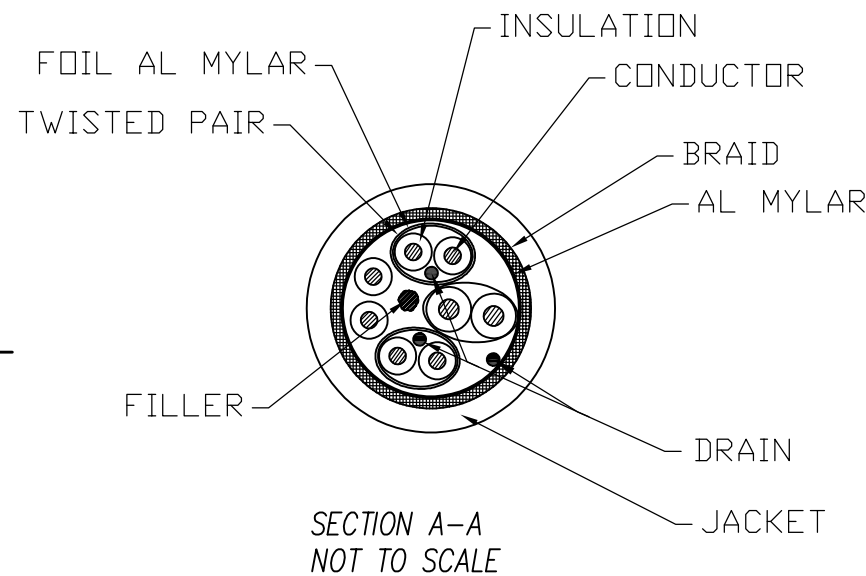
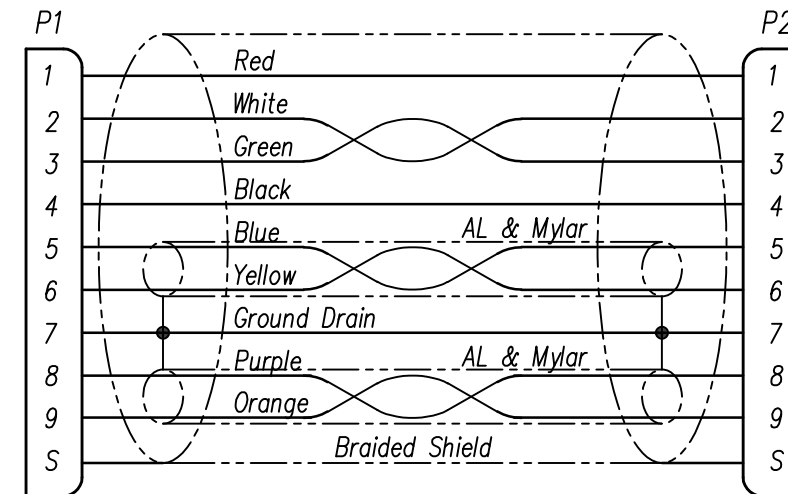
- 1) Each cable assembly to be individually bagged.
- 2) Cable Construction USB 3.0:
  - 28 AWG 1 Twisted Pair
  - 28 AWG +D +AL MY x 2 Twisted Pair
  - 24 AWG x 2C
  - AMA BRAID 85%
  - 5.8mm OD
  - Black PVC Jacket
- 3) Connector P1 :USB A Male 3.0 Blue Insulator, Gold flash on contacts, Nickel Plated Shell
- Connector P2 :USB B Male 3.0 Blue Insulator, Gold flash on contacts, Nickel Plated Shell
- 4) Hood P1 & P2: Molded Black PVC Strain Relief
- 5) All cables tested for Continuity & Shorts

**P/N Key:**

SC-3ABKxxxF

Length  
003 = 3 Ft  
006 = 6 Ft

**Wiring Map: USB 3.0 Super Speed**

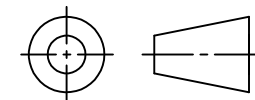


**Example Parts Numbers**

Feet	
P/N	Length
SC-3ABK003F	3'
SC-3ABK006F	6'

For Part Numbers Not Shown Follow Part Number Key Format

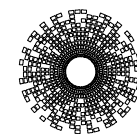
THIRD ANGLE PROJECTION



DO NOT SCALE DRAWING  
DRAWING IS SUBJECT TO CHANGE WITHOUT NOTICE

DIMENSIONS: INCHES [METRIC]  
UNLESS OTHERWISE SPECIFIED TOLERANCES ARE ±.005 [0.13] ANGLES ARE ± 1°

SHEET NO. 1 OF 1



**stewart**  
CONNECTOR  
a bel group

11118 Susquehanna Trail South  
Glen Rock, PA 17327-9199  
(717) 235-7512

<http://www.stewartconnector.com>

TITLE: Cable Assembly, USB 3.0, Type A/M - Type B/M, Black

THIS DRAWING AND THE SUBJECT MATTER SHOWN THEREON ARE CONFIDENTIAL AND THE PROPRIETARY PROPERTY OF STEWART CONNECTOR AND SHALL NOT BE REPRODUCED, COPIED, OR USED IN ANY MANNER WITHOUT PRIOR WRITTEN CONSENT OF STEWART CONNECTOR

DRN BY: KAC	DATE 08/29/17
APPD BY: JRC	DATE 08/31/17
DWG NO. CT999149	REV. A1