

Customer Information Sheet

DRAWING No.: M80-5L202M5-11-334

SHEET 2 OF 2

IF IN DOUBT - ASK

©

NOT TO SCALE

THIRD ANGLE PROJECTION

ALL DIMENSIONS IN mm

OBSOLETE

SPECIFICATIONS:

MATERIAL:
 Moulding = GLASS-FILLED PPS, UL94V-0, BLACK
 Signal Pin = PHOSPHOR BRONZE
 Power Contact = COPPER ALLOY
 Jackscrew = STAINLESS STEEL

FINISH:
 Signal Pin = 0.75µ GOLD ON CONTACT AREA,
 3µ 100% TIN OVER NICKEL ON TAILS
 Power Contact = GOLD

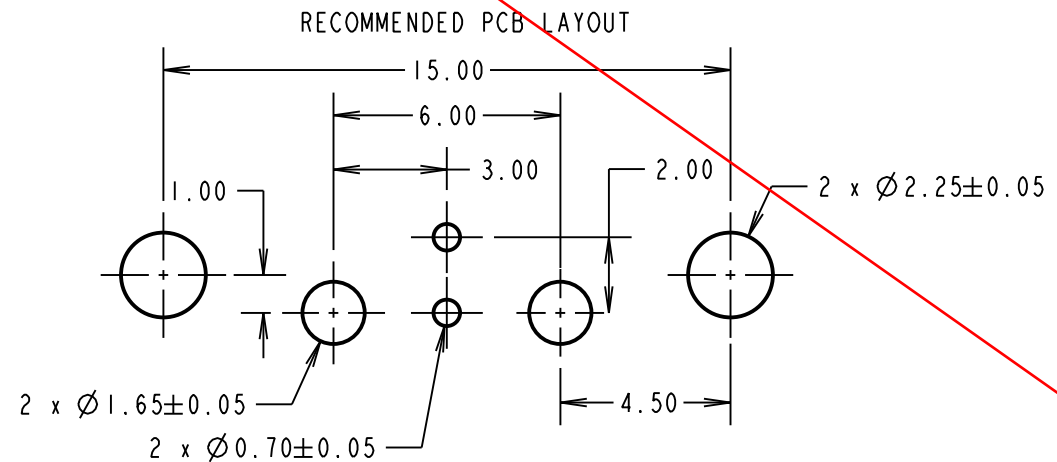
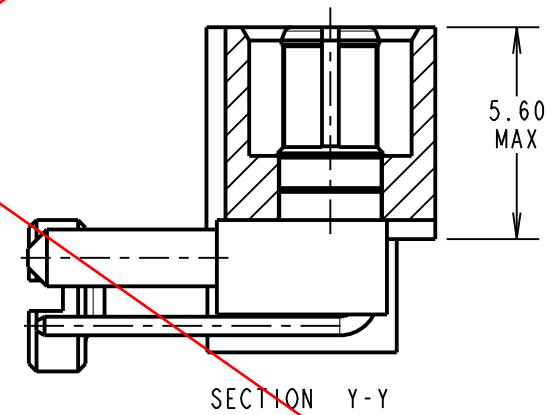
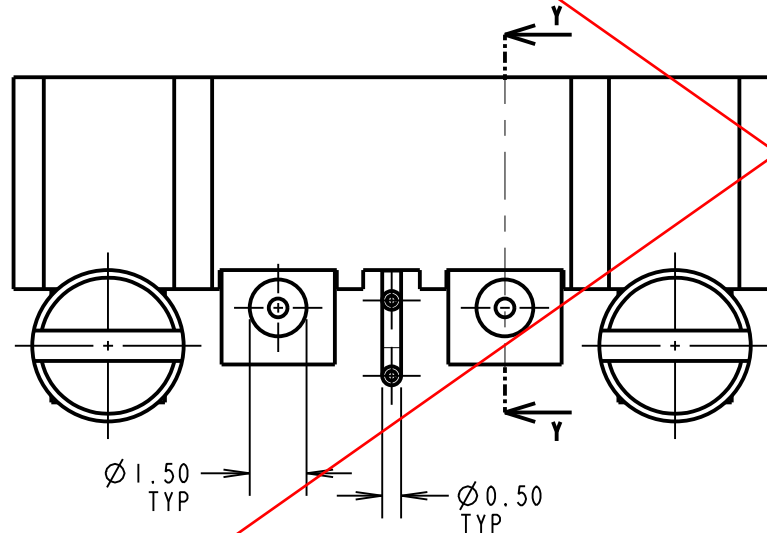
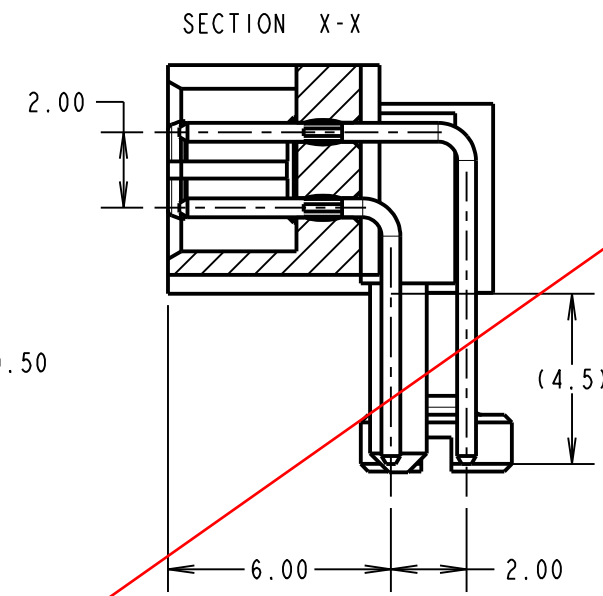
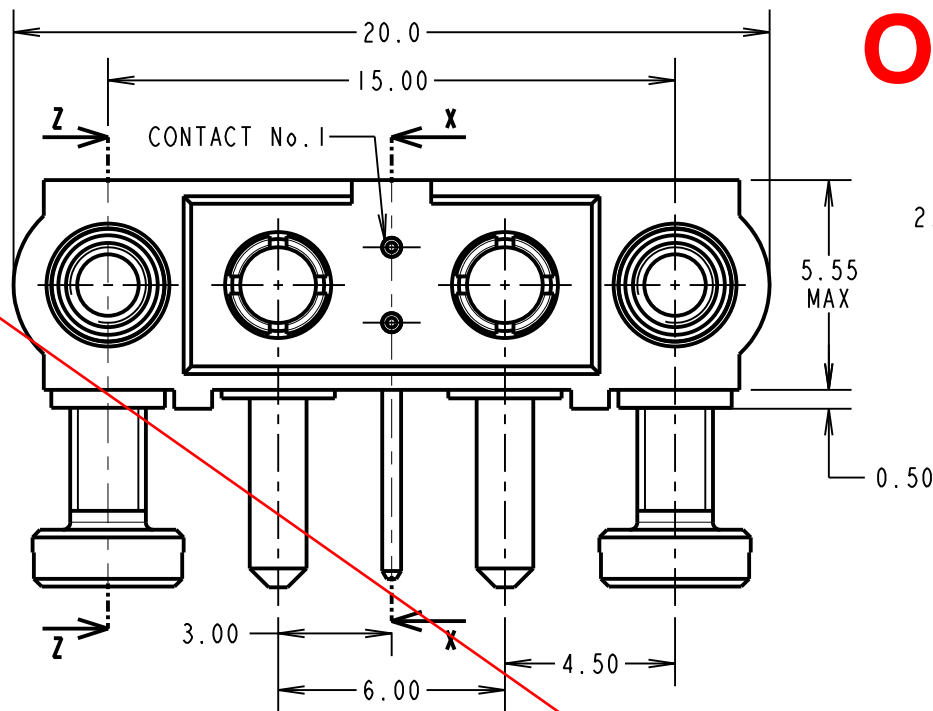
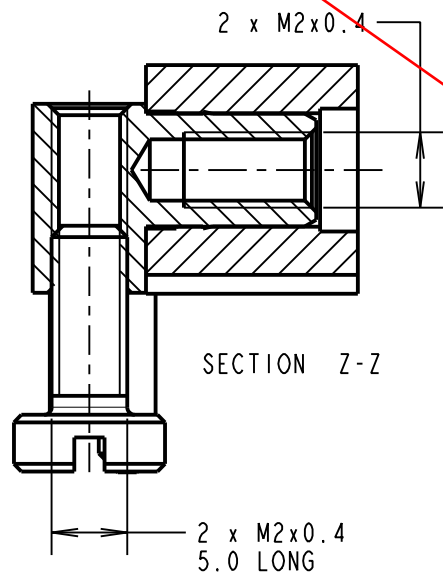
ELECTRICAL:
SIGNAL CONTACT:
 CURRENT RATING AT 25°C = 3.0A MAX
 CURRENT RATING AT 85°C = 2.2A MAX
 CONTACT RESISTANCE = 25mΩ MAX
POWER CONTACT:
 CURRENT RATING = 20A MAX
 CONTACT RESISTANCE = 6mΩ MAX
 WORKING VOLTAGE = 800V AC/DC
 VOLTAGE PROOF = 1200V AC/DC
 INSULATION RESISTANCE = 100MΩ MIN

MECHANICAL:
 DURABILITY = 500 OPERATIONS

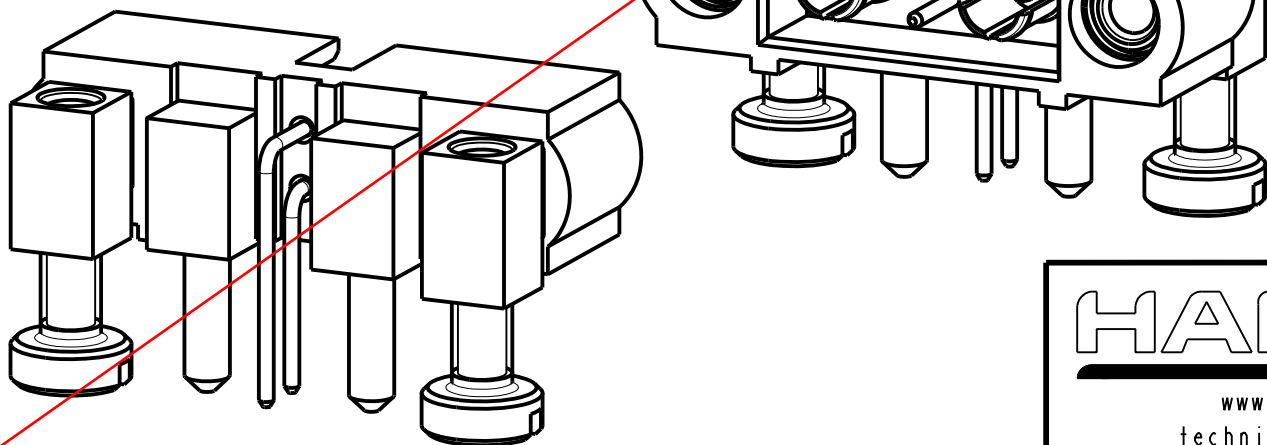
ENVIRONMENTAL:
 TEMPERATURE RANGE = -55°C TO +125°C

PACKING:
 TUBE
 FOR COMPLETE SPECIFICATION, SEE COMPONENT SPECIFICATION C005XX (LATEST ISSUE)

NOTES:
 1. CONNECTORS ARE SUPPLIED WITH SCREW LOOSE.



COMPLETE ASSEMBLY SHOWN FOR ILLUSTRATION ONLY



HARWIN

www.harwin.com
 technical@harwin.com

THIS DRAWING AND ANY INFORMATION OR DESCRIPTIVE MATTER SET OUT HEREON ARE CONFIDENTIAL AND COPYRIGHT PROPERTY OF THE HARWIN GROUP AND MUST NOT BE DISCLOSED, LOANED, COPIED OR USED FOR MANUFACTURING, TENDERING OR FOR ANY OTHER PURPOSE WITHOUT THEIR WRITTEN PERMISSION.

TOLERANCES
 X. = ±1mm
 X.X = ±0.50mm
 X.XX = ±0.10mm
 X.XXX = ±0.01mm
 ANGLES = ±5°
 UNLESS STATED

MATERIAL:
 SEE ABOVE
FINISH: SEE ABOVE
S/AREA: mm²

TITLE: JACKSCREW DATAMATE MIXED TECHNOLOGY VERT PC TAIL MALE ASSEMBLY (BOARD MOUNT)

DRAWING NUMBER: M80-5L202M5-11-334
SHT 2 OF 2

LS	2	13.10.17	13269
NAME	ISS.	DATE	C/NOTE
APPROVED: LS			
CHECKED: SB			
DRAWN: B. M. KENT			
CUSTOMER REF.:			
ASSEMBLY DRG:			