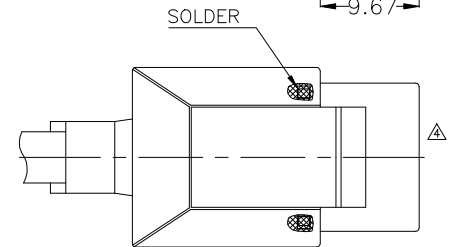
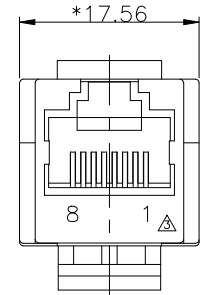
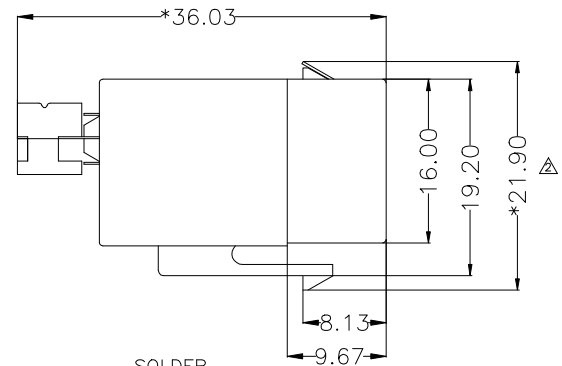
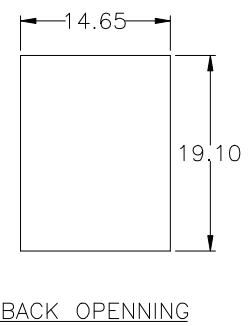
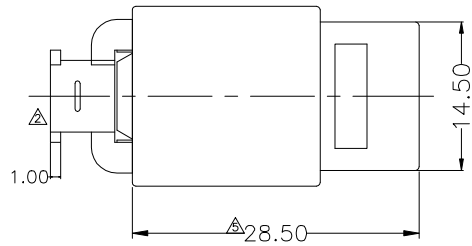
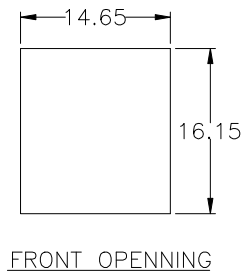


REVISION RECORD				
REV	ECO	DESCRIPTION	DRFT	CHKD
1		ADD PART NO.	Garvey 9/16/00*	
2		DIMISION MODIFY	zing 07/08/'01	
3		DRAWING MODIFY	LWL 11/26/'02	
4		ADD PART NO.	CHI 05/05/03	
5		DRAWING MODIFY	COKE 10/27/03	
6		ADD PART NO.	CECILIA 3/03/04*	



IDC Connect Modular Jack

These jacks are available in two versions to meet either shielded or unshielded application requirements on twisted pair cable. They are also available in the two most commonly used wiring schemes.

They are perfectly design to use with wallplates, faceplates and patch panels.

NOTE:

1. PART NUMBER: E6188-X1X025

- 1- T568A
- 2- T568B
- 1- AWG # 22
- 2- AWG # 24
- 3- AWG # 26With Strand Wire
- 4- AWG # 30

- E6188-X1X025-L WITH NO LEAD
- 1- T568A
 - 2- T568B
 - 1- AWG # 22
 - 2- AWG # 24
 - 3- AWG # 26With Strand Wire
 - 4- AWG # 30

DETACHED LISTS	MM (INCH)	DFTO JAME	DATE 01/06/'98	FULL RISE ELECTRONIC CO., LTD		
	TOLERANCES EXCEPT AS NOTED	CHKD ZY	DATE 2004/3/3			
		MFO	DATE			
		APPVL SHY	DATE 2004/3/3			
	MM			TITLE		
	.0 ±0.20			FULLY SHIELDED CAT.5		
	.00 ±0.15			KEYSTONE JACK		
	.000 ±0.075					
	ANGLES ±	QT'Y :		DRAWING NO. GE613001	SIZE A3	REV 6
		FINISH :		/PART NO. SEE NOTE	3/03/04*	
	THIRD ANGLE PROJECTION	SCALE : 2:1		DO NOT SCALE DRAWING	SHEET X	OF Y