

**MODEL:** CDM-15008 | **DESCRIPTION:** SPEAKER

**FEATURES**

- metal frame
- mylar cone
- spring contacts

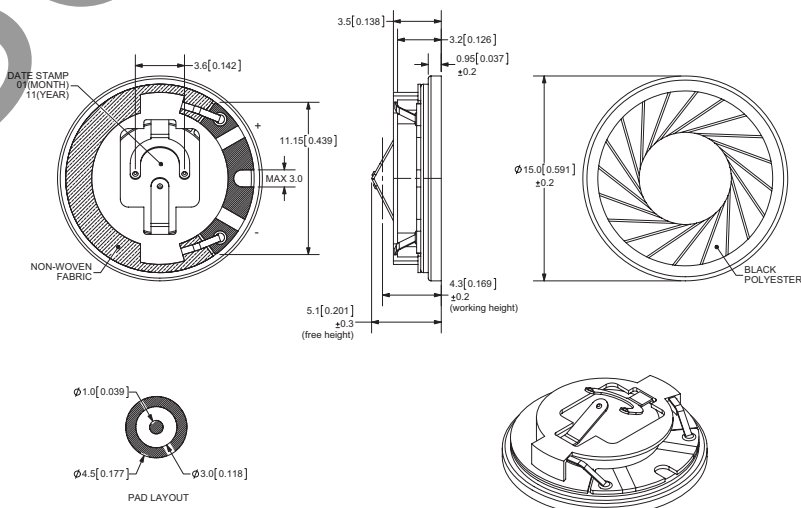


**SPECIFICATIONS**

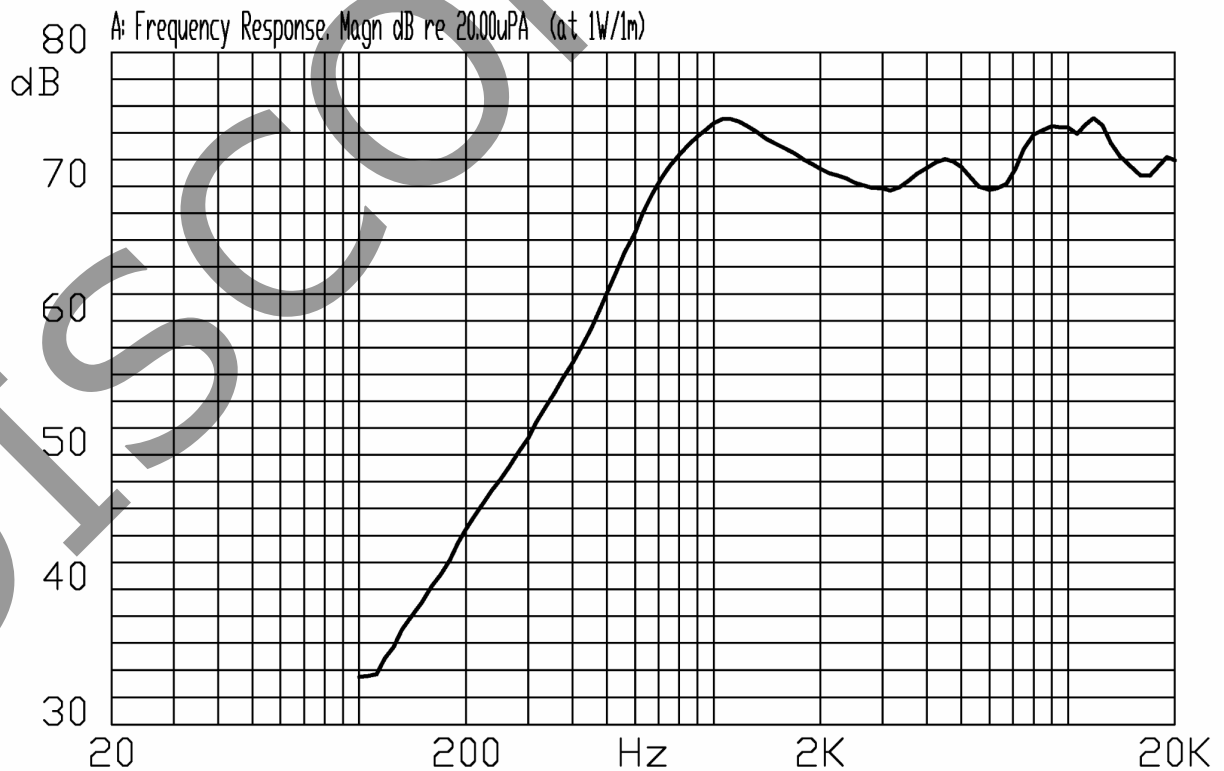
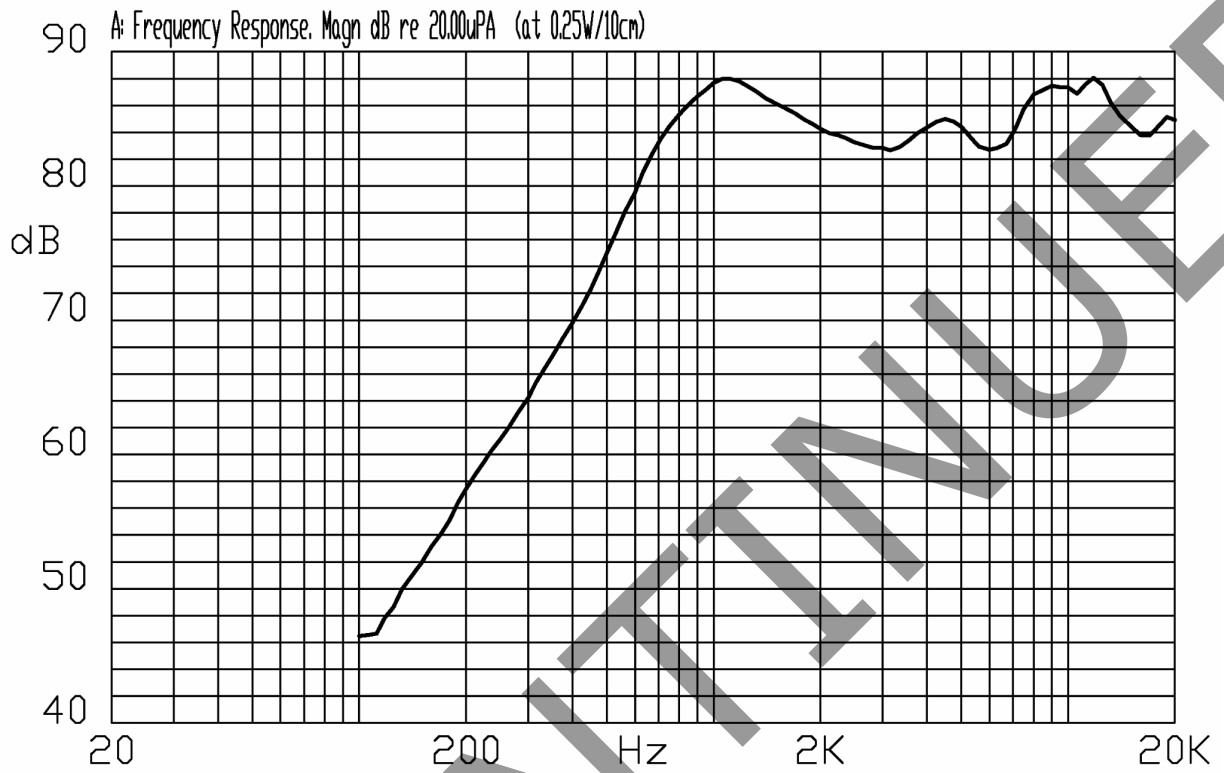
parameter	conditions/description	min	typ	max	units
diameter			15		mm
depth			5.1		mm
input power	max. power: IEC-60268-5, filter 60 s on / 120 s off, 10 cycles at room temp		0.25	0.5	W
impedance	at 1.2 kHz, 1 V	6.8	8	9.2	Ω
resonant frequency	at 1 V	720	900	1,080	Hz
sound pressure level	0.25 W, 10 cm ave. at 1, 1.2, 1.5, 2.0 kHz 1 W, 1 m ave. at 1, 1.2, 1.5, 2.0 kHz	84 71	87 74	90 77	dB dB
response				20,000	Hz
distortion	at 1.2 kHz, 0.25 W			10	%
buzz, rattle, etc.	must be normal at sine wave 1.41 V				
operating temperature		-20		55	°C
weight			1.2		g
material	metal				
RoHS	yes				

**MECHANICAL DRAWING**

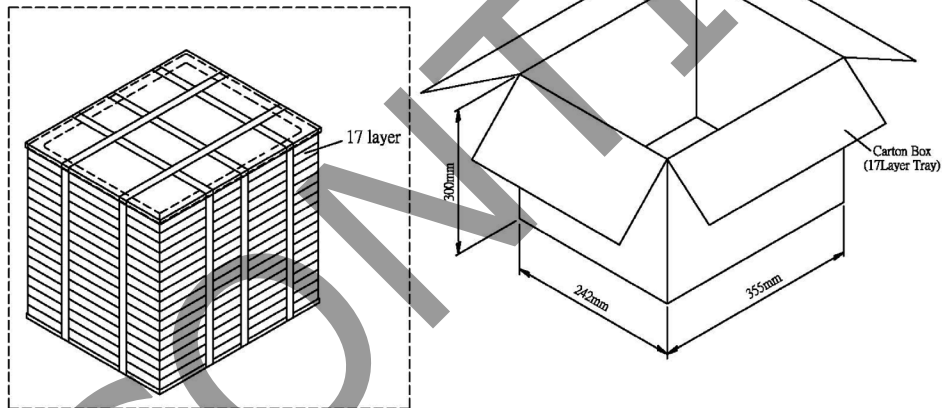
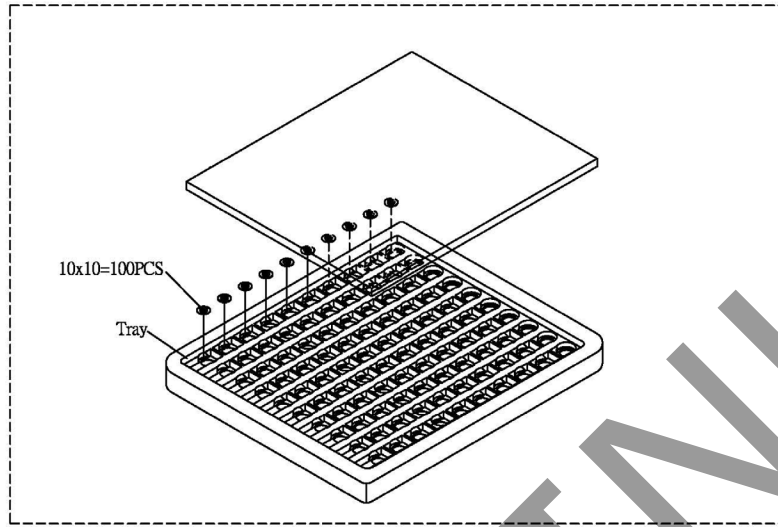
units: mm  
tolerance: ± 0.5mm



## FREQUENCY RESPONSE CURVE



## PACKAGING



Tray	345mmx235mmx20mm	1x100PCS=100PCS
Carton Box	355mmx242mmx300mm	100PCSx17=1,700PCS

## REVISION HISTORY

rev.	description	date
1.0	initial release	11/15/2011

The revision history provided is for informational purposes only and is believed to be accurate.



**Headquarters**  
20050 SW 112th Ave.  
Tualatin, OR 97062  
**800.275.4899**

Fax 503.612.2383  
**cui.com**  
techsupport@cui.com

CUI offers a one (1) year limited warranty. Complete warranty information is listed on our website.

CUI reserves the right to make changes to the product at any time without notice. Information provided by CUI is believed to be accurate and reliable. However, no responsibility is assumed by CUI for its use, nor for any infringements of patents or other rights of third parties which may result from its use.

CUI products are not authorized or warranted for use as critical components in equipment that requires an extremely high level of reliability. A critical component is any component of a life support device or system whose failure to perform can be reasonably expected to cause the failure of the life support device or system, or to affect its safety or effectiveness.