

POC-S198

19" Slim Point-of-Care Terminal with IP54 Enclosure and Multi-touch Screen



Features

- 19" LCD display with 16.7 M colors
- 3rd Generation Intel® Core™ i7 processor
- True flat panel with resistive or multi-touch projective capacitive touchscreen
- Fanless design with full system IP54 dust and splash protection
- Isolated design provides unique electric leakage protection for COM and LAN ports
- UL60601-1/EN60601-1 third edition certified ensures highest levels of safety and reliability
- Optional Bluetooth, RFID, WLAN, and Li-ion battery pack
- Built-in POC intelligent software solution for easy management



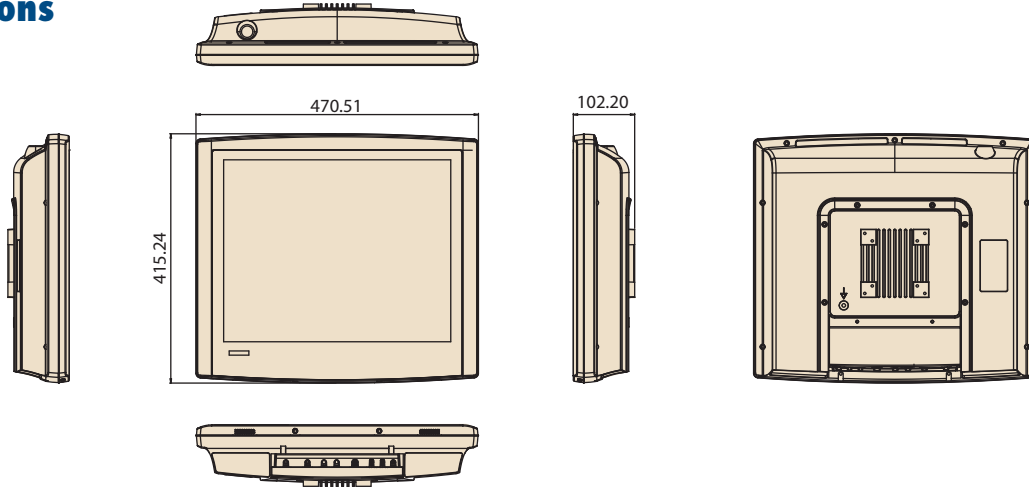
Specifications

Computing System	Chipset	Intel QM67	
	CPU	Intel Core i7-3555LE Processor (4M Cache, 2.5 GHz, up to 3.2 GHz)	
	Memory	Up to 16 GB DDR3 1600 MHz SDRAM	
	Graphics Controller	Integrated Intel HD Graphics	
	Operating System	Windows 7, WIN 8 Embedded Standard, Windows 8 industry Pro, Windows 10	
Display	Display Size	19" TFT-LCD (4:3)	
	Max. Resolution	1280 x 1024 (H x V)	
	Max. Colors	16.7 M colors	
	Pixel Pitch (mm)	0.294 x 0.294	
	Viewing Angle	178°/178° *	
	Luminance	300 cd/m ² *	
	LCD MTBF	50,000 Hours	
Expansion Slot	Contrast Ratio	2000 : 1	
	Mini PCIe	1 x Mini PCIe slot	
I/O Ports		Type A	Type B
	Serial Ports	1 x RS-232 (isolated) and 1 x RS-232/422/485 (isolated) serial port	1 x RS-232 2 x RS-232 (isolated) 1 x RS-232/422/485 (isolated) serial port
	USB 2.0 Ports	4	3
	DVI-I Ports	1	-
	LAN Ports	2 x Gigabit Ethernet (isolated) interfaces (RJ-45)	1 x Gigabit Ethernet (isolated) interfaces (RJ-45)
	Speakers	2 x 2W	2 x 2W
Storage	HDD or SSD	1 x 2.5" SATA	
Power Supply	DC Model	AC/DC adapter (Sinpro Model no.HPU101-107)	
	Input Voltage	90 ~ 260 V _{AC} , 1.35 ~ 0.5 A, 47 ~ 63 Hz	
	Output Voltage	+18 V _{DC} , 5.55 A max. (100 watts)	
Optional Functions	Battery	3S2P 4200mAh, supports 0.5 hr backup operation	
	WLAN	Integrated wireless 802.11 a/b/g/n connection & internal antenna	
	RFID	13.56 MHz with ISO-15693 & ISO-14443A/B and active tag function	
	Smart Card Reader	Complies with ISO7816-1,2,3,T=1 and T=0 protocol; Factory build for TPN process only. Non-compliant with IP54 rating	
	Bluetooth	Integrated Bluetooth v4.0	
Touchscreen		Analog Resistive	Projected Capacitive 4-points
	Light Transmission	81%	90%
IP Rating	Controller	RS-232 interface (use COM6)	USB Interface
	Front Panel	IP65	
Certifications	Full System	IP54	
		UL60601-1/EN60601-1, CE & FCC Class B certified	
Environment	Temperature	0 ~ 40° C (32 ~ 104° F) (Operating)	
	Humidity	10 ~ 95% @ 40° C (Non-condensing)	
	Shock Resistance	20 G peak acceleration (11 ms duration)	
Physical Characteristics	Dimensions (W x H x D)	470.5 x 415.2 x 102.2 mm (18.52" x 16.35" x 4.02")	
	Weight	7.5 kg (16.5 lb)	

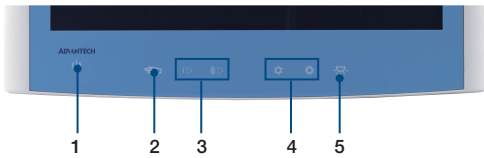
* Viewing Angle and Luminance are measured by in relation to the display module. Values can vary based on different materials used in top layer.

Dimensions

Unit: mm



Function Keys



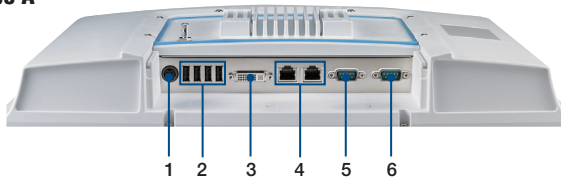
- (1) Power
- (2) Touchscreen Status Control
- (3) Volume Up/Down
- (4) Brightness Increase/Decrease
- (5) Read Light Control

Back Side



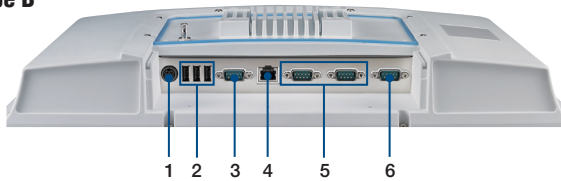
Rear I/O Ports

Type A



- (1) DC-in
- (2) USB2.0 x 4
- (3) DVI-I x 1
- (4) GigaLAN (isolated) x 2
- (5) RS-232 (isolated) x 1
- (6) RS-232/422/485 (isolated) x 1

Type B



- (1) DC-in
- (2) USB2.0 x 3
- (3) RS-232 x 1
- (4) GigaLAN (isolated) x 1
- (5) RS-232 (isolated) x 2
- (6) RS-232/422/485 (isolated) x 1

Ordering Information

Part Number	CPU	Touch Panel	RAM	I/O
POC-S198-25F-ATE	i7-3555LE 2.5GHz	Resistive Single-touch	4GB	Type A
POC-S198-25F-BTE	i7-3555LE 2.5GHz	Resistive Single-touch	4GB	Type B
POC-S198-25F-ACE	i7-3555LE 2.5GHz	PCAP Multi-touch	4GB	Type A
POC-S198-25F-BCE	i7-3555LE 2.5GHz	PCAP Multi-touch	4GB	Type B

Accessories

Part Number	Description
1702002600	Power Cable (USA) 1.8 M
1702002605	Power Cable (Europe) 1.8 M
1700018704	Power Cord (UK) 1.8 M

Optional Modules

Part Number	Description
POC-S198-BTTE	Battery module (4200mAh Li-ion battery)
POC-S198-RFOE	RFID module
POC-S198-BTOE	Bluetooth module
POC-S198-WFOE	WLAN module (802.11a/b/g/n)