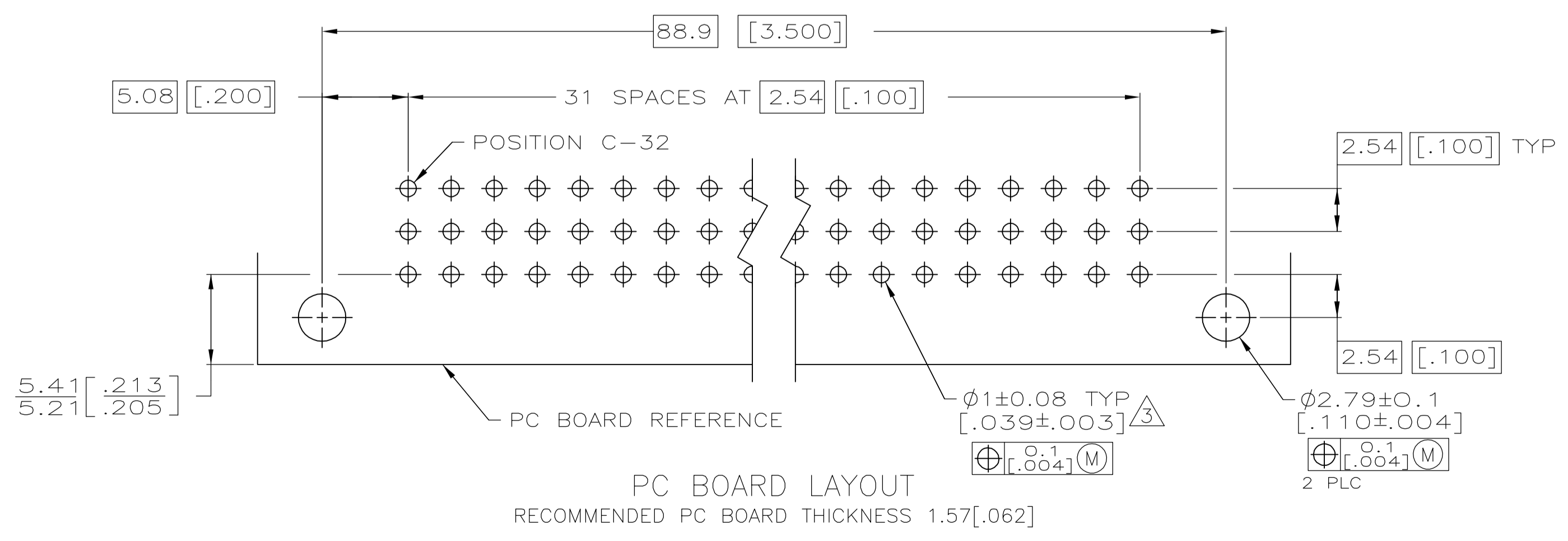
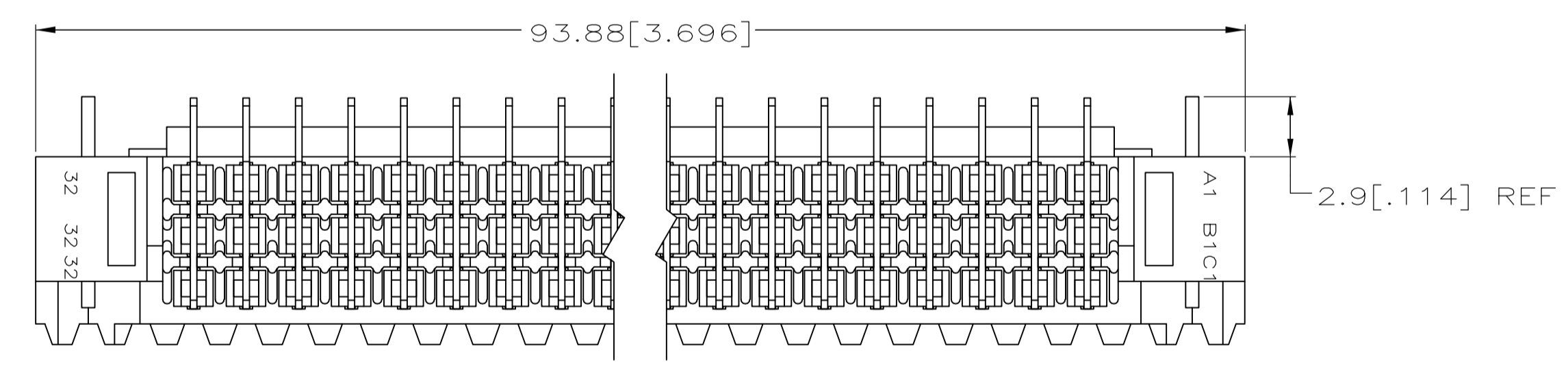
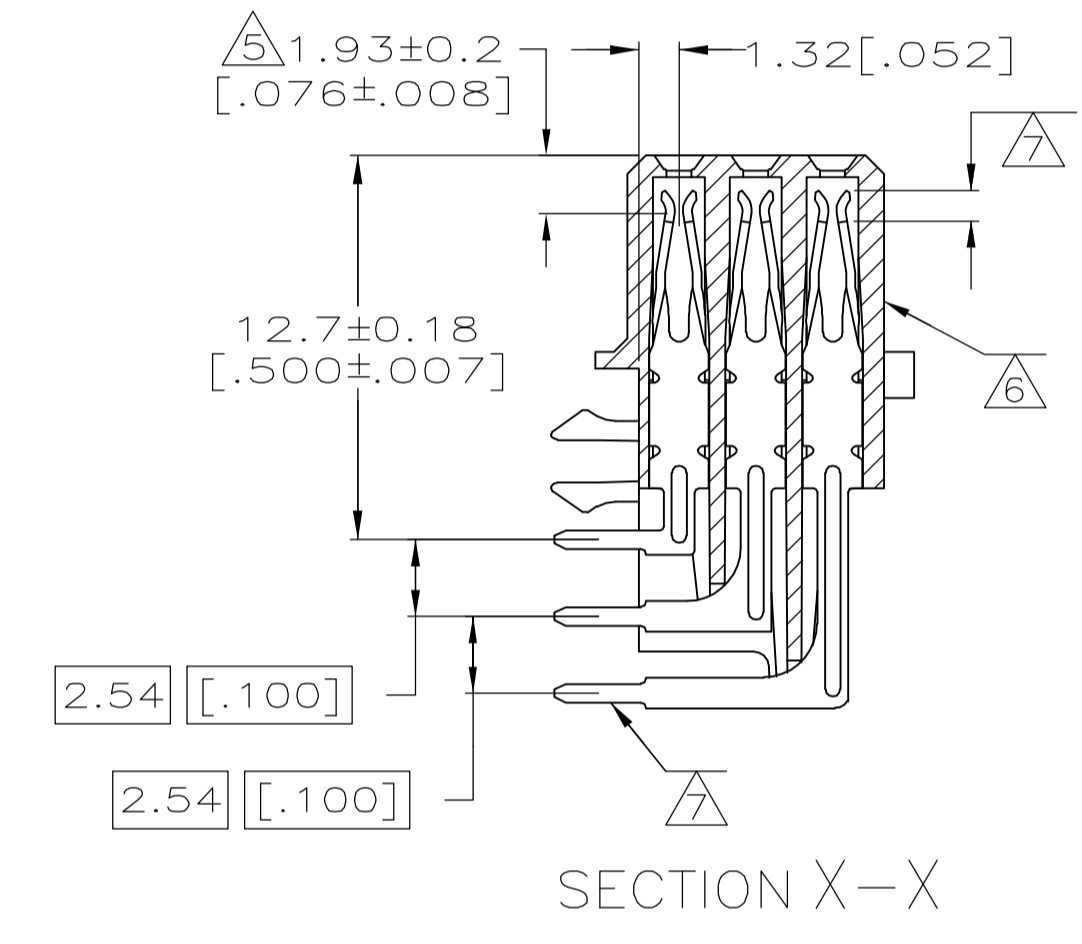
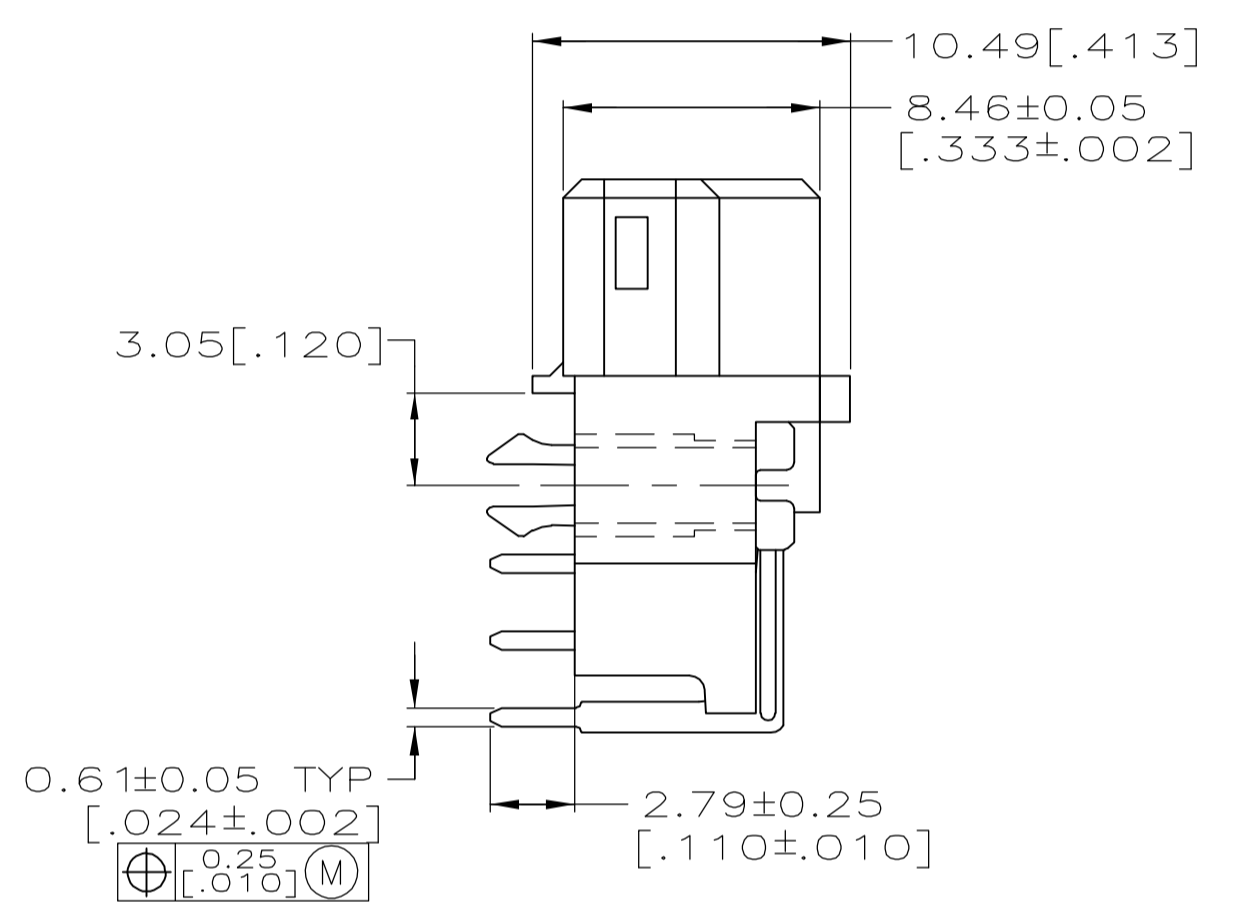
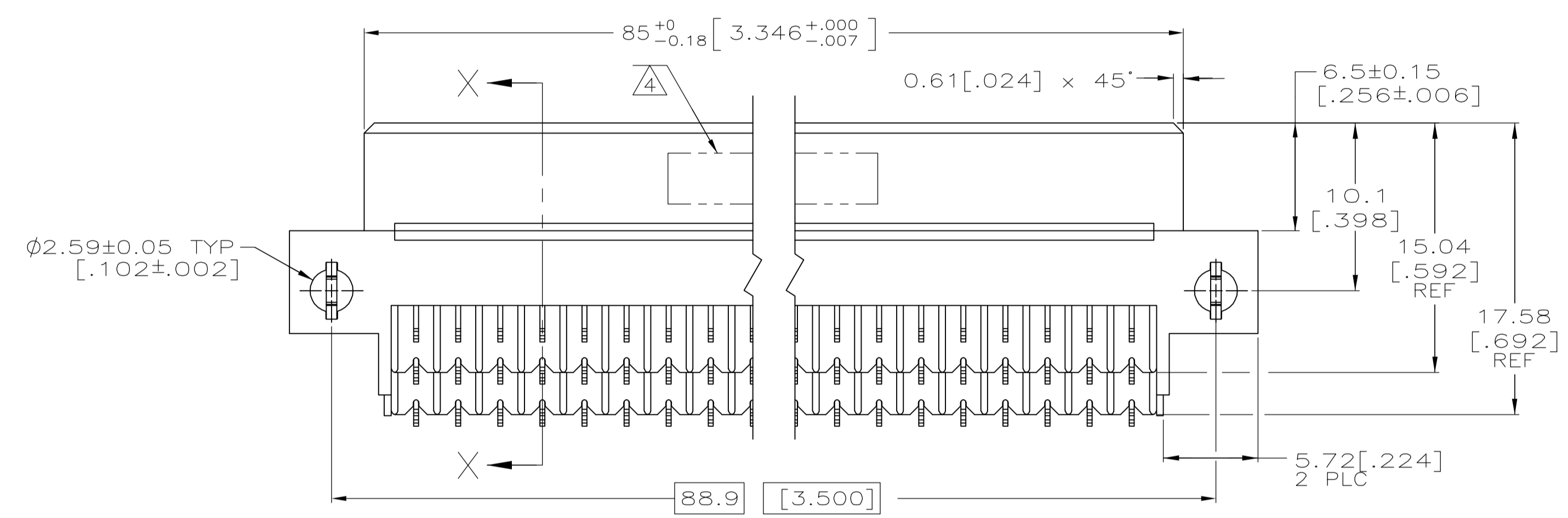


- 1 HOUSING MATERIAL: GLASS-FILLED POLYMER.
- 2 CONTACT MATERIAL: COPPER ALLOY.
- 3 RECOMMENDED HOLE SIZE FOR MANUAL APPLICATION OF CONNECTOR ONTO PC BOARD.
- 4 PART NUMBER, DATE CODE IDENTIFICATION, CSA LOGO THIS APPROXIMATE AREA.
- 5 CONTACT POINT.
- 6 MARKING ON THIS SIDE.
- 7 CONTACT FINISH: DIN 41612 CLASS 2 IN CONTACT AREA. TIN PLATE ON POSTS.



SUPERSEDED BY 5650895-5	1 THRU 32	X	X	X	96	7-5650895-5
SUPERSEDED BY 5650895-4	1 THRU 32	X	X	X	96	7-5650895-4
	1 THRU 32	X	X	X	96	5650895-5
	1 THRU 32	X	X	X	96	5650895-4
FINISH	POSITIONS LOADED	C	B	A	NO. OF LOADED POSITION	ASSY PART NUMBER

THIS DRAWING IS A CONTROLLED DOCUMENT.

DIMENSIONS: mm [INCHES]	TOLERANCES UNLESS OTHERWISE SPECIFIED:	DIN J. POLIGNONE	03JUN05	tyco Electronics	Tyco Electronics Corporation Harrisburg, PA 17105-3608
0 PLC ± -	1 PLC ± -	03JUN05	03JUN05	NAME	ASSEMBLY, RECEPTACLE, EUROCARD, TYPE R
2 PLC ± 0.13[.005]	3 PLC ± -	APVD A. SHARPE	03JUN05	PRODUCT SPEC	96 POSITION, 2.79[.110] SOLDER POSTS WITH BOARD LOCKS
4 PLC ± -	ANGLES ± -	APPLICATION SPEC		SIZE	CAGE CODE DRAWING NO
MATERIAL	FINISH SEE TABLE	WEIGHT		A1	00779 ©=5650895
		CUSTOMER DRAWING	SCALE 4:1	SHEET 1 of 1	REV A